

7/16 DIN Male Low PIM Connector Solder Attachment for SPP-500-LLPL, SPO-500, SPF-500

Times Microwave Systems Connector Specification

Times Microwave's TC-SPP500-716M-LP 7/16 DIN male connector offered by Pasternack with solder/solder attachment for Times' SPP-500-LLPL, SPO-500 and SPF-500 is part of our full line of RF components available for same-day shipping. Times Microwave's 7/16 DIN male connector operates up to a maximum frequency of 6 GHz and offers excellent VSWR of 1.25:1. The Times 7/16 DIN male connector also has low passive intermodulation of -155 dBc.

Times Microwave's 7/16 DIN male connector TC-SPP500-716M-LP datasheet specifications and drawing with dimensions are shown below in this PDF. Pasternack's broad catalog of RF, microwave and millimeter wave connectors allows designers to configure and customize their signal connections however they like. Whether the need is to provide an I/O for a board design, or simply create a custom cable assembly configuration, Pasternack has the right connector for the job. Pasternack can also expertly build your custom cable assemblies for you and ship same-day.

Electrical Specifications

Description	Min	Typ	Max	Units
Frequency Range	DC		6	GHz
VSWR			1.25:1	
Insertion Loss			0.25	dB
Passive Intermodulation			-155	dBc
Operating Voltage (DC)			1,500	Vdc
Insulation Resistance	5,000			MOhms

Electrical Specification Notes:
Insertion Loss is $0.1 * \sqrt{f(\text{GHz})}$

Mechanical Specifications

Size	
Length	1.31 in [33.27 mm]
Width/Dia.	1.14 in [28.96 mm]
Mating Torque	265.52 in-lbs [30.00 Nm]

Material Specifications

Description	Material	Plating
Contact	Brass	Silver 200 µin
Insulation	PTFE	
Body	Brass	Tri-Metal 80 µin
Coupling Nut	Brass	Tri-Metal 80 µin



Configuration:

- 7/16 DIN Male Connector
- 50 Ohms
- Straight Body Geometry
- SPP-500-LLPL, SPO-500, SPF-500 Interface Type
- Solder/Solder Attachment
- Low PIM Design

Features:

- Max. Operating Frequency 6 GHz
- Excellent VSWR of 1.25:1
- PIM levels lower than -155 dBc
- Silver Plated Brass Contact
- 200 µin contact plating

Applications:

- General Purpose Test
- Wireless Communications
- Custom Cable Assemblies
- Low PIM Applications
- Distributed Antenna Systems (DAS)

Fairview Microwave
301 Leora Ln., Suite 100
Lewisville, TX 75056
Tel: 1-800-715-4396 / (972) 649-6678
Fax: (972) 649-6689
www.fairviewmicrowave.com
sales@fairviewmicrowave.com

Gasket	Silicone Rubber
--------	-----------------

Environmental Specifications

Temperature	
Operating Range	-55 to +155 deg C
Shock	US MIL-STD 202
Vibration	US MIL-STD 202
Thermal Shock	US MIL-STD 202

Compliance Certifications (see [product page](#) for current document)

Plotted and Other Data

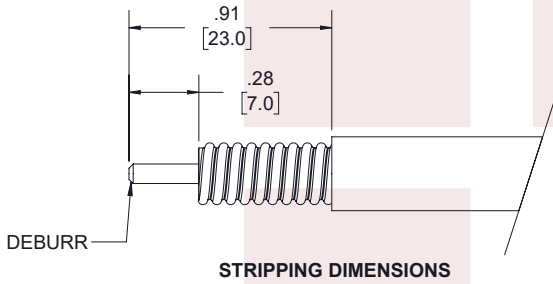
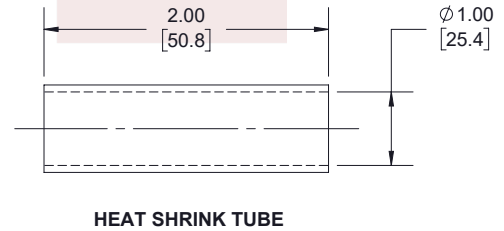
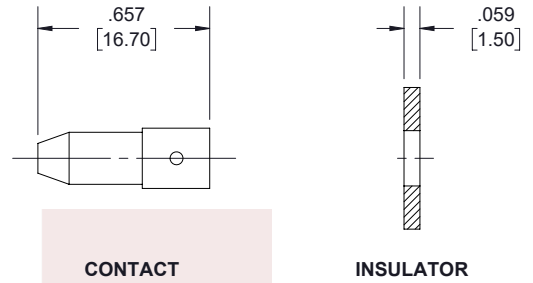
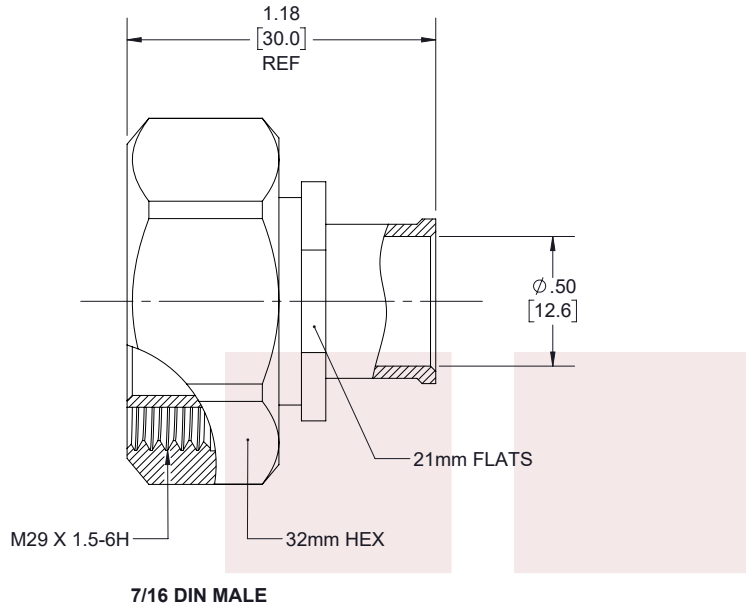
Notes:

7/16 DIN Male Low PIM Connector Solder Attachment for SPP-500-LLPL, SPO-500, SPF-500 from Fairview Microwave is in-stock and available to ship same-day. All of our RF/microwave products are available off-the-shelf from our ISO 9001:2008 certified facilities in Allen, Texas. Fairview Microwave is RF on-demand.

For additional information on this product, please click the following link: [7/16 DIN Male Low PIM Connector Solder Attachment for SPP-500-LLPL, SPO-500, SPF-500 TC-SPP500-716M-LP](#)

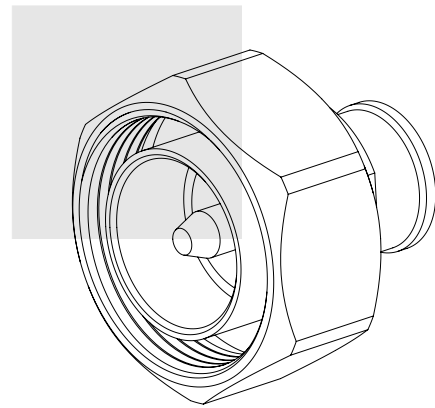
URL: <https://www.pasternack.com/7-16-din-male-spp-500-llpl-connector-tc-spp500-716m-lp-p.aspx>

The information contained in this document is accurate to the best of our knowledge and representative of the part described herein. It may be necessary to make modifications to the part and/or the documentation of the part, in order to implement improvements. Fairview Microwave reserves the right to make such changes as required. Unless otherwise stated, all specifications are nominal. Fairview Microwave does not make any representation or warranty regarding the suitability of the part described herein for any particular purpose, and Fairview Microwave does not assume any liability arising out of the use of any part or documentation.



NOTES:

- CABLE ATTACHMENT:
 - OUTER: SOLDER.
 - INNER: SOLDER.



STANDARD TOLERANCES

- .X ±0.2
- .XX ±0.01
- .XXX ±0.005

*STANDARD TOLERANCES APPLY ONLY TO DIMENSIONS IN INCHES

<p>Fairview Microwave an INFINIT[®] brand</p>		<p>NOTES: 1. UNLESS OTHERWISE SPECIFIED ALL DIMENSIONS ARE NOMINAL. 2. ALL SPECIFICATIONS ARE SUBJECT TO CHANGE WITHOUT NOTICE AT ANY TIME. 3. DIMENSIONS ARE IN INCHES [mm].</p>						
<p>TITLE 7/16 DIN Male Low PIM Connector Solder Attachment for SPP-500-LLPL, SPO-500, SPF-500</p>		<p>DWG NO TC-SPP500-716M-LP</p>		<p>CAGE CODE 3FKR5</p>				
CAD FILE	06/04/19	SHEET	1 OF 1	SCALE	N/A	SIZE	A	7361