

## N Female Bulkhead Low PIM Connector Solder Attachment for TFT-402, TFT-402-LF Cable

### Times Microwave Systems Connector Specification

Type N female bulkhead connector with solder/solder attachment for TFT-402 and TFT-402-LF, part number TC-402-NF-BH-LP, from Fairview Microwave is in-stock and ships same day. This type N female connector operates up to a maximum frequency of 6 GHz and offers excellent VSWR of 1.25:1. The type N female connector also has low passive intermodulation (PIM) of -160 dBc. Fairview's TC-402-NF-BH-LP bulkhead type N connector enables designers to make external connections on product enclosures, and can be used in a variety of other rack mount and panel mount applications. Our TC-402-NF-BH-LP connector has an IP67 rating to protect against dust and temporary moisture protection under immersion conditions.

Fairview's type N female bulkhead connector TC-402-NF-BH-LP datasheet specifications and outline drawing are shown in this PDF below. Our extensive offering of RF, microwave and millimeter wave connectors allows designers to configure and customize their signal connections however they like. From providing an I/O for a board design to creating a custom cable assembly configuration, Fairview Microwave has a connector solution to meet your needs. Fairview Microwave also has the expertise to build your custom cable assemblies for you and ship them same-day.

### Electrical Specifications

Description	Min	Typ	Max	Units
Frequency Range	DC		6	GHz
VSWR			1.25:1	
Insertion Loss			0.1	dB
Passive Intermodulation			-160	dBc
Operating Voltage (DC)			1,000	Vdc
Inner Cond. DC Resistance			1	mOhms
Outer Cond. DC Resistance			1	mOhms
Insulation Resistance	5,000			MOhms

Electrical Specification Notes:  
Insertion Loss is  $0.1 * \sqrt{f(\text{GHz})}$

### Mechanical Specifications

<b>Size</b>	
Length	1.358 in [34.49 mm]
Width/Dia.	0.748 in [19.00 mm]
<b>Mating Torque</b>	
	10 in-lbs [1.13 Nm]

### Material Specifications

Description	Material	Plating
Contact	Brass	Silver 5 $\mu$ m
Insulation	PTFE	



### Configuration:

- N Female Connector
- 50 Ohms
- Straight Body Geometry
- TFT-402, TFT-402-LF Interface Type
- Solder/Solder Attachment
- Bulkhead
- Low PIM Design

### Features:

- Operating Frequency of 6 GHz Max.
- Excellent VSWR of 1.25:1
- PIM levels better than -160 dBc
- Silver Plated Brass Contact
- 5  $\mu$ m contact plating
- IP 67 Rated

### Applications:

- General Purpose Test
- Rack and Panel Mount Applications
- Wireless Communications
- Custom Cable Assemblies
- Low PIM Applications
- Distributed Antenna Systems (DAS)

Fairview Microwave  
301 Leora Ln., Suite 100  
Lewisville, TX 75056  
Tel: 1-800-715-4396 / (972) 649-6678  
Fax: (972) 649-6689  
[www.fairviewmicrowave.com](http://www.fairviewmicrowave.com)  
[sales@fairviewmicrowave.com](mailto:sales@fairviewmicrowave.com)

Outer Conductor	Brass	Tri-Metal 3 µm
Body	Brass	Tri-Metal 3 µm
Gasket	Silicone Rubber	

### Environmental Specifications

#### Temperature

Operating Range -55 to +155 deg C

Ingress Protection (IP) Rating IP 67 Rated

Shock US MIL-STD 202, Meth. 213, Cond. I

Vibration US MIL-STD 202, Meth. 204, Cond. B

Thermal Shock US MIL-STD 202, Meth. 107, Cond. B

Environmental Specification Notes:

Weather Standard: TEC 60068 55/155/21

### Compliance Certifications (see [product page](#) for current document)

### Plotted and Other Data

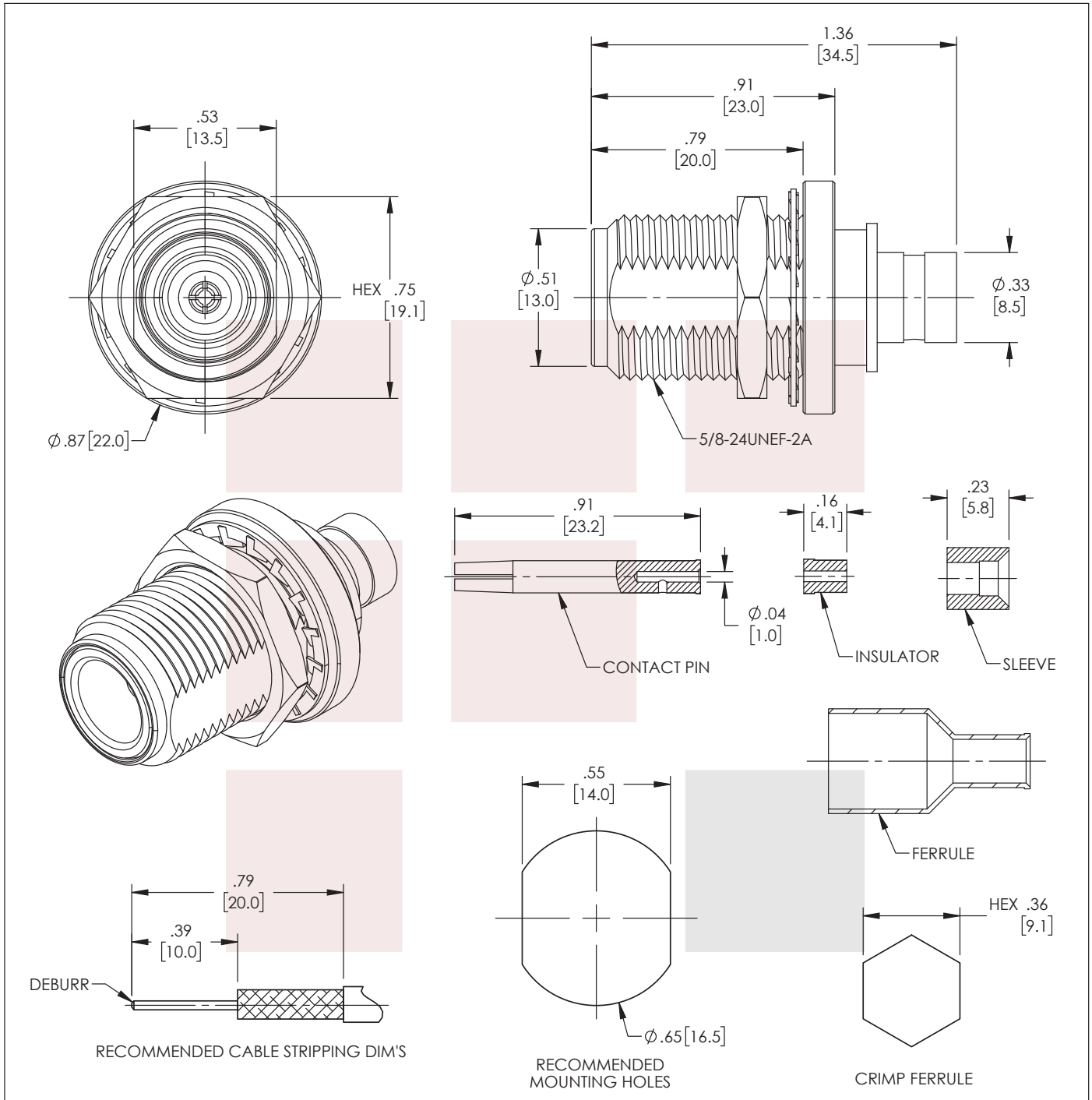
Notes:

N Female Bulkhead Low PIM Connector Solder Attachment for TFT-402, TFT-402-LF Cable from Fairview Microwave is in-stock and available to ship same-day. All of our RF/microwave products are available off-the-shelf from our ISO 9001:2008 certified facilities in Lewisville, Texas. Fairview Microwave is RF on-demand.


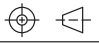
For additional information on this product, please click the following link: [N Female Bulkhead Low PIM Connector Solder Attachment for TFT-402, TFT-402-LF Cable TC-402-NF-BH-LP](#)

URL: <https://www.fairviewmicrowave.com/n-female-tft-402-connector-tc-402-nf-bh-lp-p.aspx>

The information contained in this document is accurate to the best of our knowledge and representative of the part described herein. It may be necessary to make modifications to the part and/or the documentation of the part, in order to implement improvements. Fairview Microwave reserves the right to make such changes as required. Unless otherwise stated, all specifications are nominal. Fairview Microwave does not make any representation or warranty regarding the suitability of the part described herein for any particular purpose, and Fairview Microwave does not assume any liability arising out of the use of any part or documentation.



THESE COMMODITIES, TECHNOLOGY OR SOFTWARE WERE EXPORTED FROM THE UNITED STATES IN ACCORDANCE WITH THE EXPORT ADMINISTRATION REGULATIONS. DIVERSION CONTRARY TO U.S. LAW PROHIBITED.

 <b>Fairview Microwave</b> an INFINIT <sup>®</sup> brand	UNLESS OTHERWISE SPECIFIED LEADING DIMENSIONS ARE INCHES DIMENSIONS IN [ ] ARE MILLIMETERS		THIRD-ANGLE PROJECTION 		
	<b>TOLERANCES:</b> .X = ±.2 [5.08] FRACTIONS ± 1/32 .XX = ±.02 [51] ANGLES ± 1° .XXX = ±.005 [13]		<b>CABLE LENGTH (L) TOLERANCES:</b> L ≤ 12 [305] = +1 [25] / -0 12 [305] < L ≤ 60 [1524] = +2 [51] / -0 60 [1524] < L ≤ 120 [3048] = +4 [102] / -0 120 [3048] < L ≤ 300 [7620] = +6 [152] / -0 300 [7620] < L = +5%L / -0		THE INFORMATION AND DESIGN IN THIS DOCUMENT IS THE PROPERTY OF FAIRVIEW MICROWAVE CORPORATION. ALL RIGHTS RESERVED.
TITLE	ALL DIMENSIONS SHOWN ARE FOR REFERENCE ONLY.		SHEET 1 OF 1		
N Female Bulkhead Low PIM Connector Solder Attachment for TFT-402, TFT-402-LF Cable	SCALE	2:1		REV	
SIZE A	CAGE CODE 3FKR5	DRAWN BY DMAY	ITEM NO. TC-402-NF-BH-LP	REV A	

T-Rev.D