

4.1/9.5 Mini DIN Male Low PIM Connector Solder Attachment for TFT-5G-402



TC-402-4195M-LP



Times Microwave Systems Connector Specification

Configuration

- 4.1/9.5 Mini DIN Male Connector
- 50 Ohms
- Straight Body Geometry
- Connector Interface Types: TFT-5G-402
- Low PIM Design

Features

- Operating Frequency of 3 GHz Max.
- Excellent VSWR of 1.15:1
- PIM levels better than -160 dBc
- Silver Plated Brass Contact
- 5 µm contact plating
- IP 67 Rated

Applications

- General Purpose Test
- Wireless Communications
- Custom Cable Assemblies
- Low PIM Applications
- Distributed Antenna Systems (DAS)

Description

4.1/9.5 Mini DIN Male Low PIM Connector Solder/Solder Attachment for TFT-5G-402 Cable, part number TC-402-4195M-LP, from Fairview Microwave is in-stock and ships same day. This 4.1/9.5 Mini DIN male connector operates up to a maximum frequency of 3 GHz and offers excellent VSWR of 1.15:1. The 4.1/9.5 Mini DIN male connector also has low passive intermodulation (PIM) of -160 dBc. Our TC-402-4195M-LP connector has an IP67 rating to protect against dust and temporary moisture protection under immersion conditions.

Fairview's 4.1/9.5 Mini DIN male connector TC-402-4195M-LP datasheet specifications and outline drawing are shown in this PDF below. Our extensive offering of RF, microwave and millimeter wave connectors allows designers to configure and customize their signal connections however they like. From providing an I/O for a board design to creating a custom cable assembly configuration, Fairview Microwave has a connector solution to meet your needs. Fairview Microwave also has the expertise to build your custom cable assemblies for you and ship them same-day.

Electrical Specifications

Description	Minimum	Typical	Maximum	Units
Frequency Range	DC		3	GHz
VSWR			1.15:1	
Insertion Loss			0.1	dB
Passive Intermodulation			-160	dBc
Operating Voltage (DC)			2,000	Vdc
Inner Conductor DC Resistance			1	mOhms
Outer Conductor DC Resistance			0.5	mOhms
Insulation Resistance	5,000			MOhms
Impedance		50		Ohms

Electrical Specification Notes:
Insertion Loss is $0.1 \cdot \sqrt{f(\text{GHz})}$

4.1/9.5 Mini DIN Male Low PIM Connector
Solder Attachment for TFT-5G-402



TC-402-4195M-LP

Mechanical Specifications

Size

Length	0.964 in [24.49 mm]
Width	0.866 in [22.00 mm]
Height	0.866 in [22 mm]
Weight	0.03 lbs [13.61 g]
Mating Torque	106 in-lbs [[11.98 Nm]]
Cable Retention Force	33 lbs [14.97 kg]

Material Specifications

Description	Material	Plating
Contact	Brass	Silver 5 µm
Insulation	PTFE	
Body	Brass	Tri-Metal 2 µm
Coupling Nut	Brass	Nickel 5 µm
Gasket	Silicone Rubber	

Environmental Specifications

Temperature

Operating Range	-40 to +85 deg C
Ingress Protection (IP) Rating	IP 67 Rated
Shock	IEC 60068 -2-27
Vibration	IEC 60068 -2-6-Fc
Thermal Shock	IEC 60068 -2-14-Na

Environmental Specification Notes:
Weather Standard: IEC 60068 40/085/21

Compliance Certifications (see [product page](#) for current document)

Plotted and Other Data

Notes:

4.1/9.5 Mini DIN Male Low PIM Connector Solder Attachment for TFT-5G-402



TC-402-4195M-LP

4.1/9.5 Mini DIN Male Low PIM Connector Solder Attachment for TFT-5G-402 from Fairview Microwave is in-stock and available to ship same-day. All of our RF/microwave products are available off-the-shelf from our ISO 9001:2008 certified facilities in Lewisville, Texas. Fairview Microwave is RF on-demand.

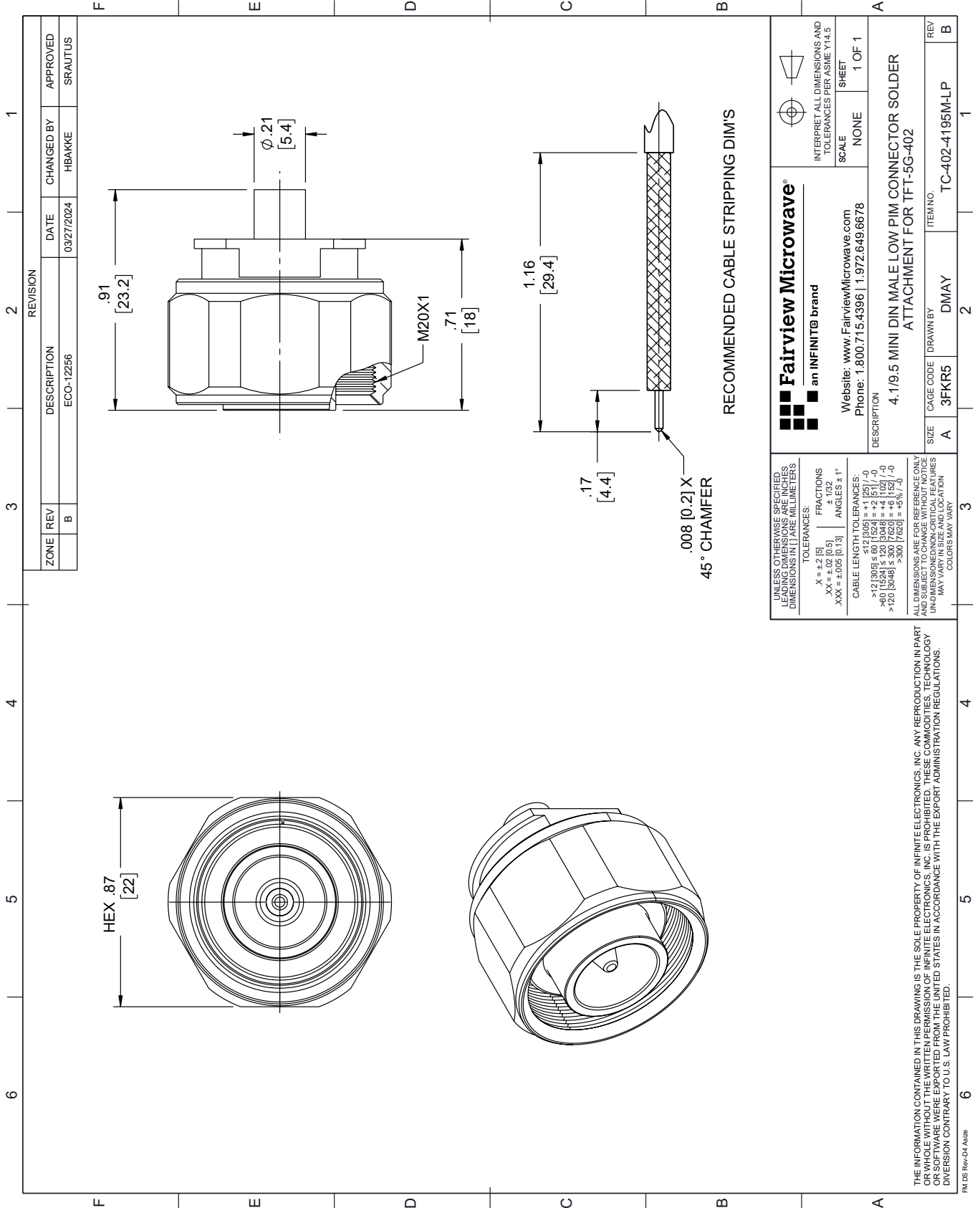
For additional information on this product, please click the following link: [4.1/9.5 Mini DIN Male Low PIM Connector Solder Attachment for TFT-5G-402 TC-402-4195M-LP](#)

URL: <https://www.fairviewmicrowave.com/4.1-9.5-mini-din-male-tft-402-tft-402-lf-connector-tc-402-4195m-lp-p.aspx>

The information contained within this document is accurate to the best of our knowledge and representative of the part described herein. It may be necessary to make modifications to the part and/or the documentation of the part in order to implement improvements. Fairview Microwave reserves the right to make such changes as required. Unless otherwise stated, all specifications are nominal. Fairview Microwave does not make any representation or warranty regarding the suitability of the part described herein for any particular purpose, and Fairview Microwave does not assume liability arising out of the use of any part or document.

TC-402-4195M-LP CAD Drawing

4.1/9.5 Mini DIN Male Low PIM Connector Solder Attachment for TFT-5G-402



REVISION		DATE	CHANGED BY	APPROVED	
ZONE	REV	DESCRIPTION	ECO-12256	HBAKKE	SRAUTUS
	B				

		INTERPRET ALL DIMENSIONS AND TOLERANCES PER ASME Y14.5	
Website: www.FairviewMicrowave.com Phone: 1.800.715.4396 1.972.649.6678		SCALE	NONE
DESCRIPTION 4.1/9.5 MINI DIN MALE LOW PIM CONNECTOR SOLDER ATTACHMENT FOR TFT-5G-402		SHEET	1 OF 1
SIZE	A	CAGE CODE	DMAY
ITEM NO.	TC-402-4195M-LP	REV	B