

N-N M/M 18GHZ FLANGE ADAPTER

SM4041

SPECIFICATIONS

ELECTRICAL

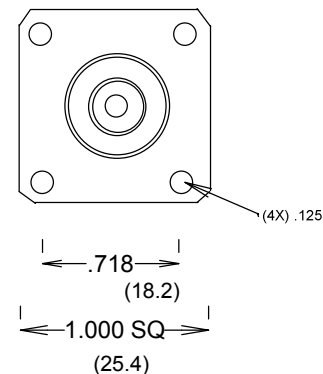
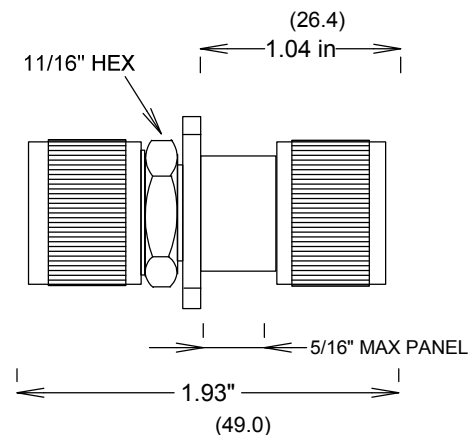
FREQUENCY: 0-18 GHZ
 IMPEDANCE: 50 OHMS
 VSWR: 1.15:1 MAX

MECHANICAL

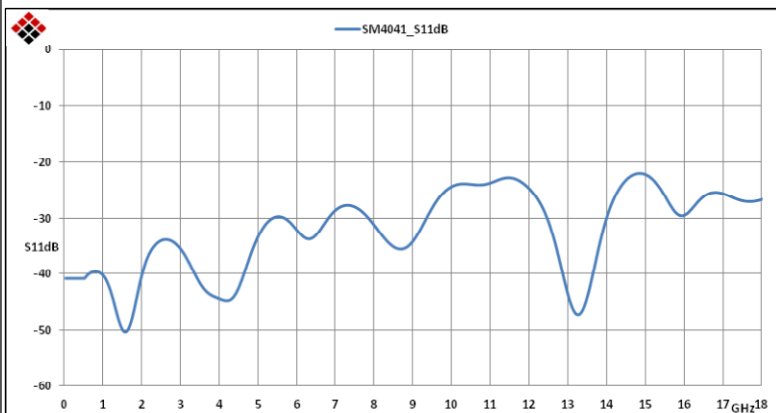
MATERIALS BODY PASS STAINLESS STEEL
 MATERIALS CONTACTS BeCu
 PLATING: Au MIL-G-45204
 INTERFACE: MIL-STD-348A
 DURABILITY: 500 CYCLES MIN

ENVIRONMENTAL

TEMP: -65 TO +125 DEG C



MEASUREMENTS BELOW ARE TYPICAL



ALL DIMENSIONS IN inches(MM) Typical

FAIRVIEW MICROWAVE INC.

ALLEN, TX 75013 WWW.FAIRVIEWMICROWAVE.COM

TITLE

N-N M/M 18GHZ FLANGE ADAPTER

SIZE A	CAGE CODE 3FKR5	DWG NO SM4041	REV A
SCALE		SHEET	