

SMA F'S CIRCULATOR 700-800 GHZ

SFC0780

SPECIFICATIONS

ELECTRICAL

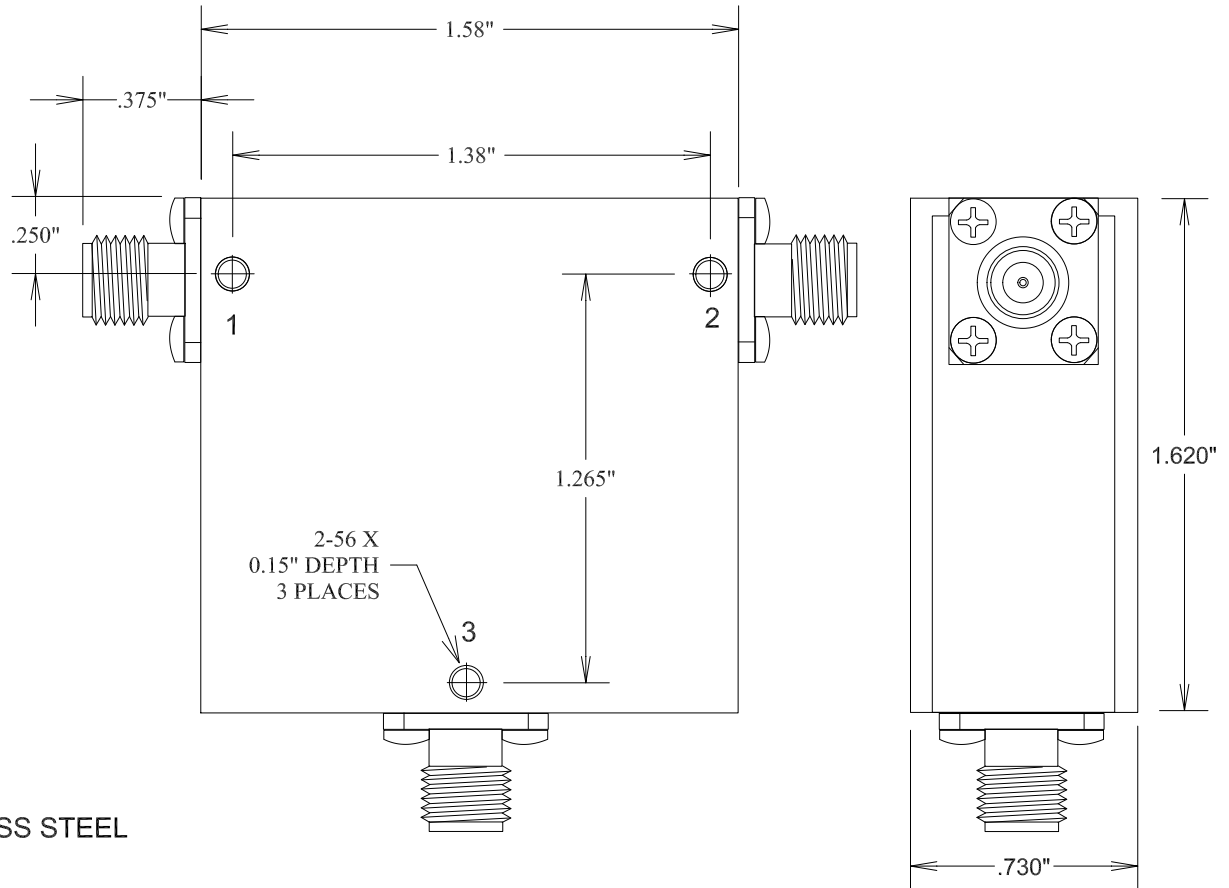
FREQUENCY: 700-800 MHZ
 IMPEDANCE: 50 OHMS
 VSWR: 1.25:1 MAX
 INSERTION LOSS: 0.4 DB MAX
 POWER: AVG(ALL PORTS) : 300 W
 PEAK : 2 KW
 ISOLATION: 20 DB MIN;

MECHANICAL

MATERIAL CONNECTORS: PASSIVATED STAINLESS STEEL
 MATERIAL CONTACTS: Au PLATED BeCu

-20°C TO +65°C

ROHS COMPLIANT



				FAIRVIEW MICROWAVE INC.	
				ALLEN, TX 75013 WWW.FAIRVIEWMICROWAVE.COM	
TITLE					
SMA F'S CIRCULATOR 700-800 GHZ					
SIZE	CAGE CODE	DWG NO	SFC0780		REV
A	3FKR5				--
SCALE			SHEET		