

BNC Female Bulkhead Hermetically Sealed Connector Eyelet Terminal Solder Attachment IP67 Rated

BNC female bulkhead hermetically sealed connector with solder attachment eyelet terminal, part number SC6005, from Fairview Microwave is in-stock and ships same day. This BNC female connector operates up to a maximum frequency of 3 GHz and offers excellent VSWR of 1.25:1. Fairview's SC6005 bulkhead BNC connector enables designers to make external connections on product enclosures, and can be used in a variety of other rack mount and panel mount applications.

Fairview's BNC female bulkhead connector SC6005 datasheet specifications and outline drawing are shown in this PDF below. Our extensive offering of RF, microwave and millimeter wave connectors allows designers to configure and customize their signal connections however they like. From providing an I/O for a board design to creating a custom cable assembly configuration, Fairview Microwave has a connector solution to meet your needs. Fairview Microwave also has the expertise to build your custom cable assemblies for you and ship them same-day.

Electrical Specifications

Description	Min	Typ	Max	Units
Frequency Range	DC		3	GHz
VSWR			1.25:1	
DWV (AC)			1,500	Vrms

Mechanical Specifications

Size	
Length	1.34 in [34.04 mm]
Width/Dia.	0.68 in [17.27 mm]
Weight	0.04 lbs [18.14 g]
Mating Cycles	500 Cycles

Material Specifications

Description	Material	Plating
Contact	Beryllium Copper	Gold
Insulation	PTFE	
Outer Conductor	Brass	Silver
Body	Brass	Silver

Environmental Specifications

Temperature	
Operating Range	-65 to +165 deg C
Humidity	IP67 Unmated

Compliance Certifications (see [product page](#) for current document)

Plotted and Other Data

Notes:



Configuration:

- BNC Female Connector
- 50 Ohms
- Straight Body Geometry
- Eyelet Interface Type
- Solder Attachment
- Bulkhead

Features:

- Operating Frequency of 3 GHz Max.
- Excellent VSWR of 1.25:1
- Hermetically Sealed
- Gold Plated Beryllium Copper Contact

Applications:

- General Purpose Test
- Rack and Panel Mount Applications

Fairview Microwave
301 Leora Ln., Suite 100
Lewisville, TX 75056
Tel: 1-800-715-4396 / (972) 649-6678
Fax: (972) 649-6689
www.fairviewmicrowave.com
sales@fairviewmicrowave.com

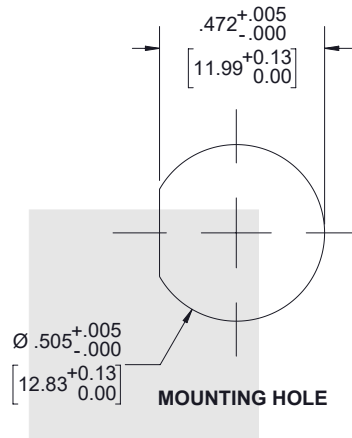
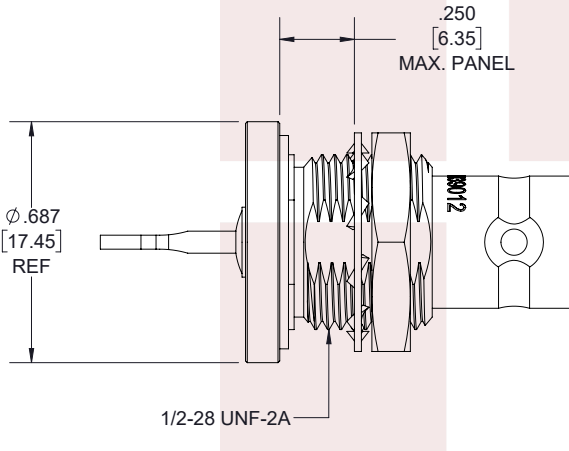
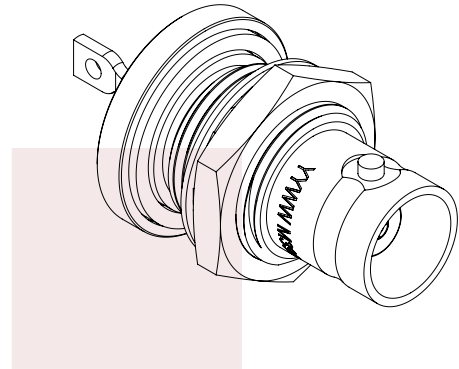
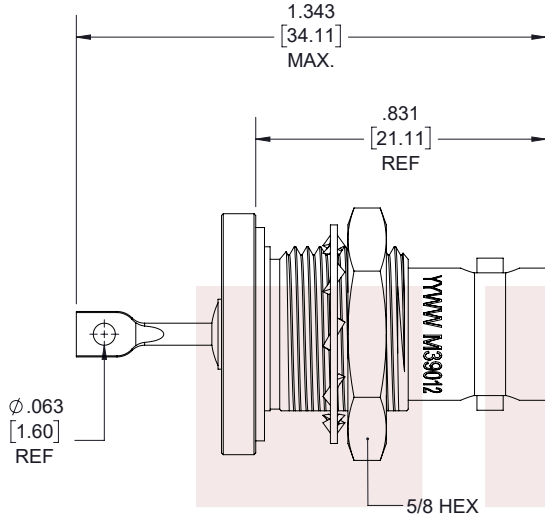
BNC Female Bulkhead Hermetically Sealed Connector Eyelet Terminal Solder Attachment IP67 Rated from Fairview Microwave is in-stock and available to ship same-day. All of our RF/microwave products are available off-the-shelf from our ISO 9001:2008 certified facilities in Lewisville, Texas. Fairview Microwave is RF on-demand.

For additional information on this product, please click the following link: [BNC Female Bulkhead Hermetically Sealed Connector Eyelet Terminal Solder Attachment IP67 Rated SC6005](#)

URL: <https://www.fairviewmicrowave.com/bnc-female-standard-eyelet-terminal-connector-sc6005-p.aspx>

The information contained in this document is accurate to the best of our knowledge and representative of the part described herein. It may be necessary to make modifications to the part and/or the documentation of the part, in order to implement improvements. Fairview Microwave reserves the right to make such changes as required. Unless otherwise stated, all specifications are nominal. Fairview Microwave does not make any representation or warranty regarding the suitability of the part described herein for any particular purpose, and Fairview Microwave does not assume any liability arising out of the use of any part or documentation.





STANDARD TOLERANCES

- .X ±0.2
- .XX ±0.01
- .XXX ±0.005

*STANDARD TOLERANCES APPLY ONLY TO DIMENSIONS IN INCHES

NOTES:
1. UNLESS OTHERWISE SPECIFIED ALL DIMENSIONS ARE NOMINAL.
2. ALL SPECIFICATIONS ARE SUBJECT TO CHANGE WITHOUT NOTICE AT ANY TIME.
3. DIMENSIONS ARE IN INCHES [mm].

TITLE BNC Female Bulkhead Hermetically Sealed Connector Eyelet Terminal Solder Attachment IP67 Rated	DWG NO SC6005		CAGE CODE 3FKR5			
	CAD FILE 10/15/19	SHEET 1 OF 1	SCALE N/A	SIZE A	7361	