

SMP MALE THREAD IN SHROUD FULL DETENTE

SC5500

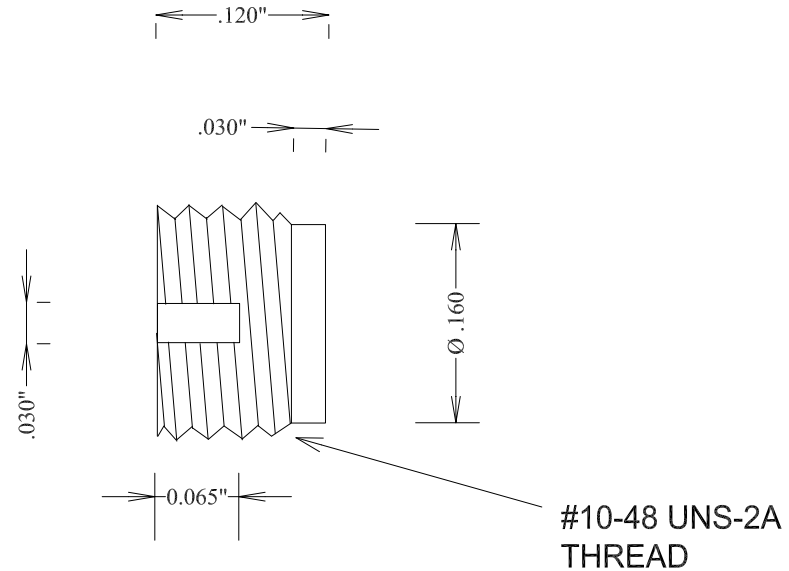
SPECIFICATIONS

ELECTRICAL:

FREQUENCY: 0-40 GHZ
 IMPEDANCE: 50 OHMS
 OP. TEMP RANGE: -55° to +125°C

MECHANICAL:

MATERIAL: PASSIVATED S STEEL
 INTERFACE: SMP DESC 94007
 FULL DETENTE
 FORCE TO ENGAGE: 15.0 LBS MAX
 FORCE TO DISENGAGE: 5.0 LBS MIN
 ROHS COMPLIANT



				FAIRVIEW MICROWAVE INC.			
				ALLEN, TX 75013 WWW.FAIRVIEWMICROWAVE.COM			
				TITLE			
				SMP MALE THREAD IN SHROUD FULL DETENTE			
SIZE		CAGE CODE		DWG NO		REV	
A		3FKR5		SC5500		A	
SCALE				SHEET			