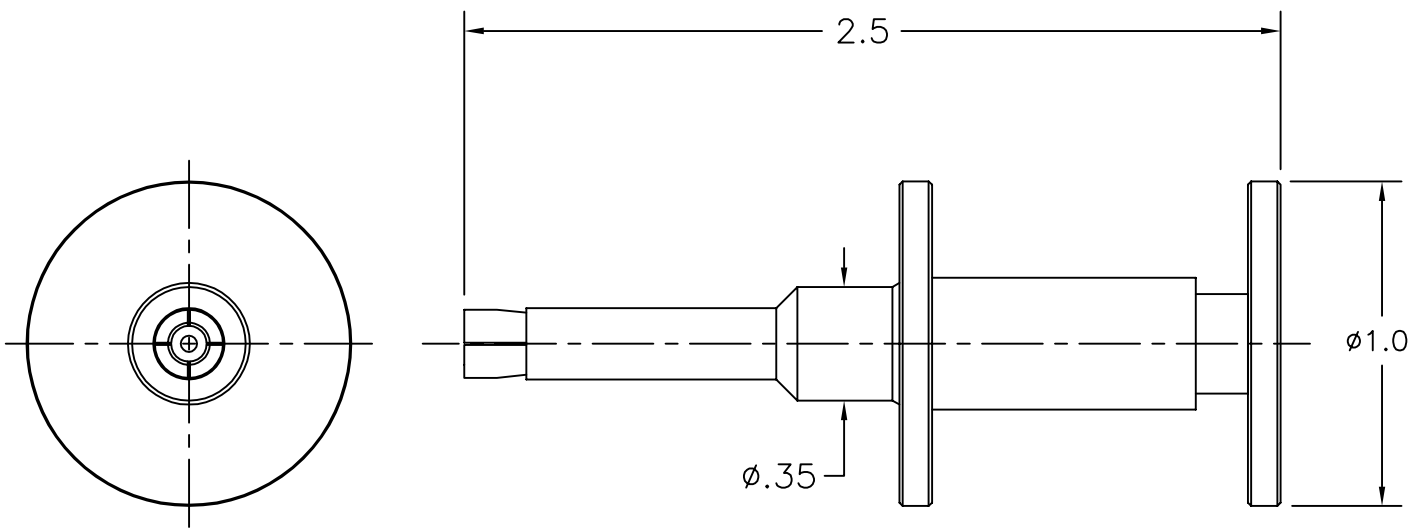


COMPONENT	MATERIAL AND FINISH	
HOLDER & PLUNGER	303 CRES, ASTM A582	PASSIVATE, AMS-QQ-P-35
COLLET	BeCu, ASTM B196, UNS C17300	NICKEL PLATE, MIL-C-26074
SPRING	302 CRES, ASTM A313	PASSIVATE, AMS-QQ-P-35

PART NO. MMTL-4991



OUTLINE DRAWING



MICRO-MODE PRODUCTS, INC.  
*The Reliable Connection to the Future*

El Cajon, CA 92020  
ph 619.449.3844  
www.micromode.com

CAGE CODE  
15907

INSTALLATION/EXTRACTION TOOL FOR  
MMSP-6238 TERMINATION

PART NO.

MMTL-4991

REVISION

A

SHEET 1 OF 1 | OL4991 2-26-02 MP RF