

**WR-42 to 2.92mm Female End Launch Waveguide to Coax Adapter UG-597/U Square Cover with 18 GHz to 26.5 GHz K Band in Aluminum, Paint**

The FMWCA1070 is a waveguide to coaxial adapter operating in the K Band with a 18 to 26.5 GHz frequency range. This adapter offers a WR-42 waveguide interface size using a standard UG-597/U Square Cover Flange. The FMWCA1070 is constructed of Aluminum Alloy and painted to ensure durability. The coaxial connector offered by this adapter uses a 2.92mm Female Connector.

**Configuration**

Waveguide Size	WR-42
Flange	UG-597/U Square Cover
RF Connector	2.92mm Female
Impedance	50 Ohms
Body Geometry	End Launch

**Electrical Specifications**

Description	Min	Typ	Max	Units
Frequency Range	18		26.5	GHz
VSWR		1.3:1		

**Mechanical Specifications**

<b>RF Connector</b>	
Connector Type	2.92mm Female
<b>Waveguide Interface</b>	
Waveguide Type	WR-42
Flange Type	Square Cover
Flange Designation	UG-597/U
Body Material and Plating	Aluminum, Paint

**Compliance Certifications** (see [product page](#) for current document)

**Plotted and Other Data**

- Notes:
- Values at +25 °C, sea level unless stated otherwise



**Features:**

- K Band
- 18 to 26.5 GHz Frequency Range
- WR-42 Waveguide Interface
- UG-597/U Square Cover Flange
- 2.92mm Female RF Interface
- End Launch

**Applications:**

- Test Benches
- Radar
- Satellite
- Microwave Radio Systems
- Military and Space
- Communication Systems

Fairview Microwave  
 301 Leora Ln., Suite 100  
 Lewisville, TX 75056  
 Tel: 1-800-715-4396 / (972) 649-6678  
 Fax: (972) 649-6689  
[www.fairviewmicrowave.com](http://www.fairviewmicrowave.com)  
[sales@fairviewmicrowave.com](mailto:sales@fairviewmicrowave.com)

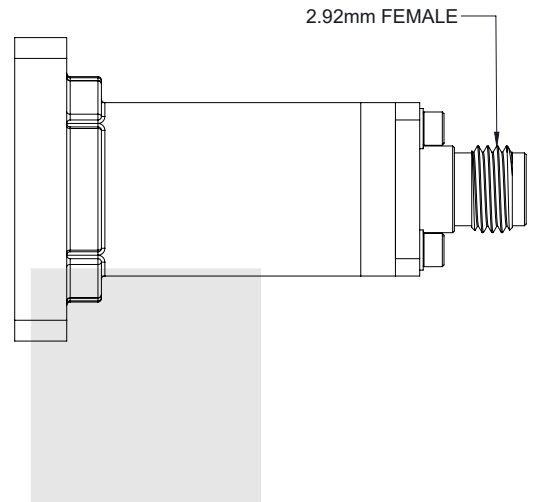
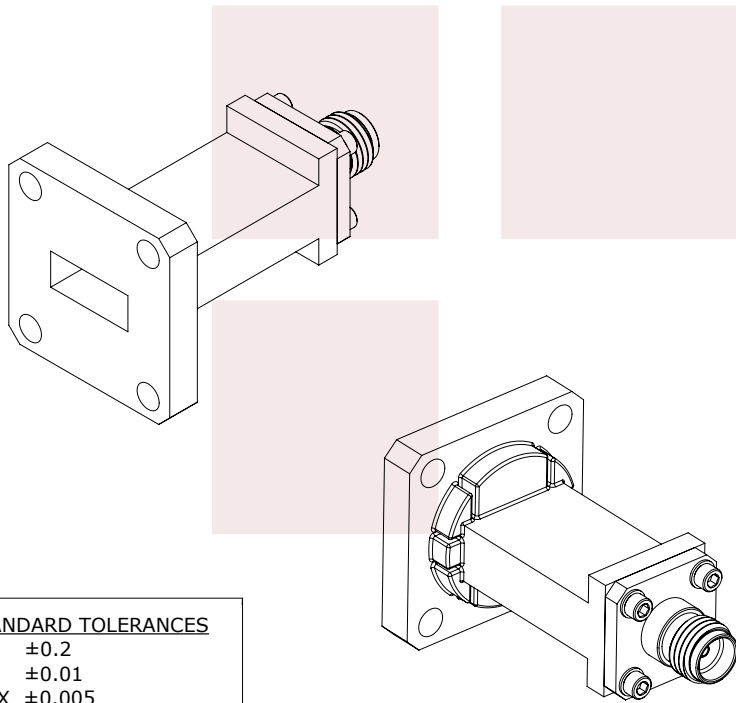
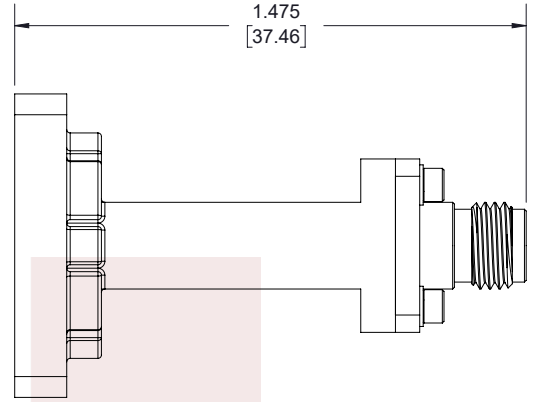
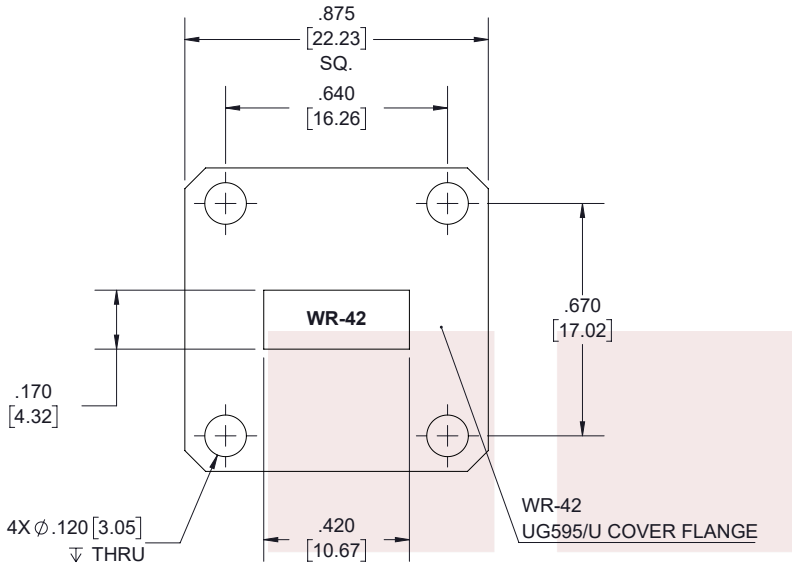
WR-42 to 2.92mm Female End Launch Waveguide to Coax Adapter UG-597/U Square Cover with 18 GHz to 26.5 GHz K Band in Aluminum, Paint from Fairview Microwave is in-stock and available to ship same-day. All of our RF/microwave products are available off-the-shelf from our ISO 9001:2008 certified facilities in Allen, Texas. Fairview Microwave is RF on-demand.

For additional information on this product, please click the following link: [WR-42 to 2.92mm Female End Launch Waveguide to Coax Adapter UG-597/U Square Cover with 18 GHz to 26.5 GHz K Band in Aluminum, Paint FMWCA1070](#)

URL: <https://www.fairviewmicrowave.com/wr42-2.92mm-female-end-launch-waveguide-coax-adapter-ug597-square-fmwca1070-p.aspx>

The information contained in this document is accurate to the best of our knowledge and representative of the part described herein. It may be necessary to make modifications to the part and/or the documentation of the part, in order to implement improvements. Fairview Microwave reserves the right to make such changes as required. Unless otherwise stated, all specifications are nominal. Fairview Microwave does not make any representation or warranty regarding the suitability of the part described herein for any particular purpose, and Fairview Microwave does not assume any liability arising out of the use of any part or documentation.





STANDARD TOLERANCES	
.X	±0.2
.XX	±0.01
.XXX	±0.005

\*STANDARD TOLERANCES APPLY ONLY TO DIMENSIONS IN INCHES

<p><b>Fairview Microwave</b>          RF COMPONENTS ON DEMAND. <i>Done!</i></p>	NOTES: 1. UNLESS OTHERWISE SPECIFIED ALL DIMENSIONS ARE NOMINAL. 2. ALL SPECIFICATIONS ARE SUBJECT TO CHANGE WITHOUT NOTICE AT ANY TIME. 3. DIMENSIONS ARE IN INCHES [mm].							
	DWG NO <b>FMWCA1070</b>				CAGE CODE <b>3FKR5</b>			
	CAD FILE	10/03/18	SHEET	1 OF 1	SCALE	N/A	SIZE	A
TITLE <b>WR-42 to 2.92mm Female End Launch Waveguide to Coax Adapter UG-597/U Square Cover with 18 GHz to 26.5 GHz K Band in Aluminum, Paint</b>								