

WR-8 Waveguide E-Bend Instrumentation Grade Using UG-383/U-Mod Flange with a 90 GHz to 140 GHz Frequency Range

Fairview's Microwave FMW8B0000 is an E-Plane, 90 degree, WR-8 waveguide bend that operates from 90 GHz to 140 GHz. This waveguide bend offers a typical 0.3 dB insertion loss and a typical 1.15 VSWR. The input of this straight waveguide section has a UG-387/U-M Flange. FMW8B0000 is part of over 40,000 RF, microwave and millimeter wave components. Our instrumentation grade WR-8 waveguide bend will ship worldwide the same day it is purchased along with our other RF components.



Electrical Specifications*

Description	Min	Typ	Max	Units
Frequency Range	90		140	GHz
VSWR		1.15:1		
Insertion Loss		0.3		dB

* Values at 25°C, sea level

Mechanical Specifications

Waveguide Size WR-8
Waveguide Design Instrumentation Grade

Flange 1

Flange Type Round Cover
Flange Designation UG-383/U-Mod
Material Oxygen Free Hard Copper
Plating Gold

Waveguide

Interface WR-8
Material Oxygen Free Hard Copper
Plating Gold

Flange 2

Flange Type Round Cover
Flange Designation UG-383/U-Mod
Material Oxygen Free Hard Copper
Plating Gold

Size

Weight 0.044 lbs [19.96 g]

Compliance Certifications (see [product page](#) for current document)

Plotted and Other Data

Notes:

- Values at 25 °C, sea level

Features:

- 90° Bend
- E-Plane
- WR-8 Waveguide
- UG-387/U-M Flange
- 90 GHz to 140 GHz Frequency Range
- Comprehensive waveguide offering also includes Straight Sections, H-Bends, Waveguide to Coax Adapters, Filters, Terminations, and more.

Fairview Microwave
301 Leora Ln., Suite 100
Lewisville, TX 75056
Tel: 1-800-715-4396 / (972) 649-6678
Fax: (972) 649-6689
www.fairviewmicrowave.com
sales@fairviewmicrowave.com

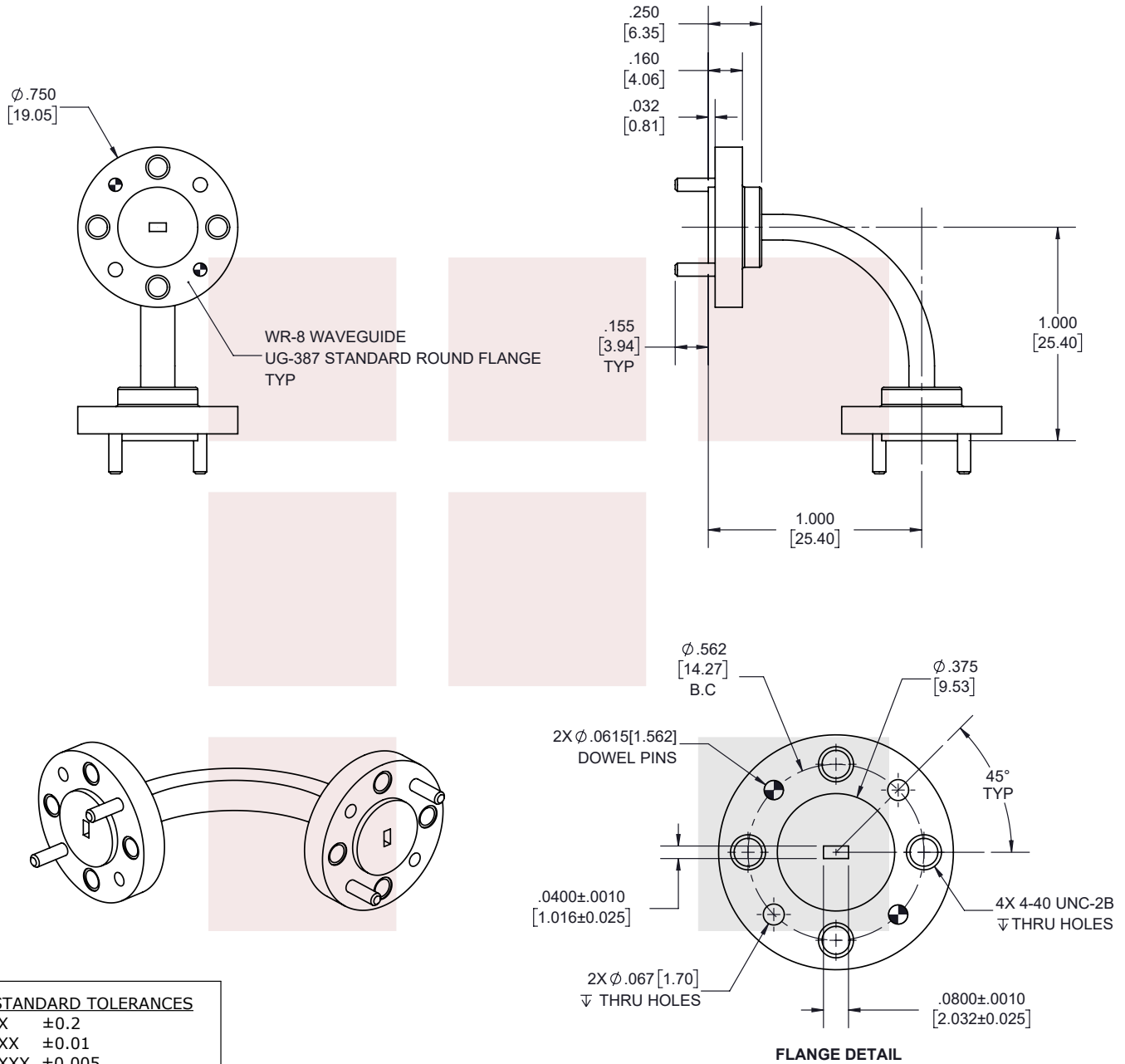
WR-8 Waveguide E-Bend Instrumentation Grade Using UG-383/U-Mod Flange with a 90 GHz to 140 GHz Frequency Range from Fairview Microwave is in-stock and available to ship same-day. All of our RF/microwave products are available off-the-shelf from our ISO 9001:2008 certified facilities in Lewisville, Texas. Fairview Microwave is RF on-demand.

For additional information on this product, please click the following link: [WR-8 Waveguide E-Bend Instrumentation Grade Using UG-383/U-Mod Flange with a 90 GHz to 140 GHz Frequency Range FMW8B0000](#)

URL: <https://www.fairviewmicrowave.com/wr-8-waveguide-e-bend-ug-383-u-mod-flange-90-140-ghz-fmw8b0000-p.aspx>

The information contained in this document is accurate to the best of our knowledge and representative of the part described herein. It may be necessary to make modifications to the part and/or the documentation of the part, in order to implement improvements. Fairview Microwave reserves the right to make such changes as required. Unless otherwise stated, all specifications are nominal. Fairview Microwave does not make any representation or warranty regarding the suitability of the part described herein for any particular purpose, and Fairview Microwave does not assume any liability arising out of the use of any part or documentation.





STANDARD TOLERANCES	
.X	±0.2
.XX	±0.01
.XXX	±0.005

*STANDARD TOLERANCES APPLY ONLY TO DIMENSIONS IN INCHES

		NOTES: 1. UNLESS OTHERWISE SPECIFIED ALL DIMENSIONS ARE NOMINAL. 2. ALL SPECIFICATIONS ARE SUBJECT TO CHANGE WITHOUT NOTICE AT ANY TIME. 3. DIMENSIONS ARE IN INCHES [mm].	
TITLE WR-8 Waveguide E-Bend Instrumentation Grade Using UG-383/U-Mod Flange with a 90 GHz to 140 GHz Frequency Range		DWG NO FMW8B0000	CAGE CODE 3FKR5
CAD FILE	08/05/19	SHEET	1 OF 1
SCALE	N/A	SIZE	A 7361