

## WR-42 Waveguide E-Bend Instrumentation Grade Using UG-595/U Flange with a 18 GHz to 26.5 GHz Frequency Range

Fairview Microwave carries a wide variety of waveguide bends ranging from WR-12 to WR-137. These waveguide bends include grooved and non-grooved designs. Standard waveguide bends are available in E-Bend and H-Bend configurations. For ease of identification, our commercial grade waveguide bends are painted grey while our instrumentation grade waveguide bends are gold plated. Our instrumentation grade waveguide bends were designed with precision tolerances of  $\pm 0.001'$  and constructed of a high grade oxygen free hard copper to ensure repeatable RF performance.



### Electrical Specifications\*

Description	Min	Typ	Max	Units
Frequency Range	18		26.5	GHz
VSWR			1.1:1	
Insertion Loss		0.2		dB

\* Values at 25°C, sea level

### Mechanical Specifications

Waveguide Size WR-42  
Waveguide Design Instrumentation Grade

#### Flange 1

Flange Type Square Cover  
Flange Designation UG-595/U  
Material Brass Copper  
Plating Gold

#### Waveguide

Interface WR-42  
Material Brass Copper  
Plating Gold

#### Flange 2

Flange Type Square Cover  
Flange Designation UG-595/U  
Material Brass Copper  
Plating Gold

**Compliance Certifications** (see [product page](#) for current document)

### Plotted and Other Data

Notes:

- Values at 25 °C, sea level

### Features:

- Commercial grade and instrumentation grade sections and bends covering frequency ranges from 5.8 GHz to 90 GHz
- Wide variety of flange types, including grooved and non-grooved designs.
- Precision waveguide mechanical tolerances of  $\pm 0.001'$
- Comprehensive waveguide offering also includes Bends, Filters, Terminations, and Waveguide to Coaxial Adapters.

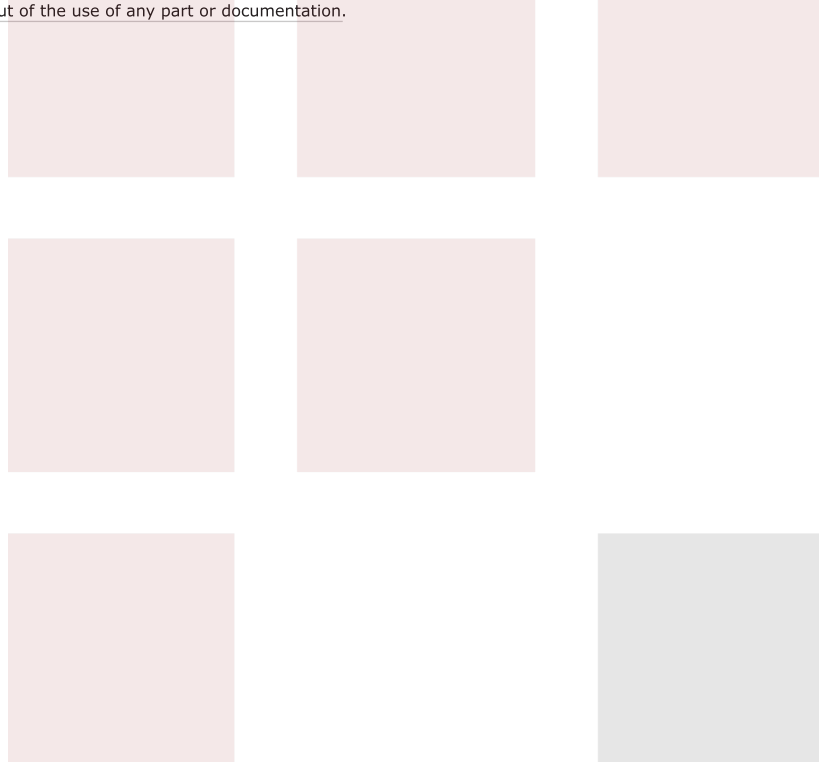
Fairview Microwave  
301 Leora Ln., Suite 100  
Lewisville, TX 75056  
Tel: 1-800-715-4396 / (972) 649-6678  
Fax: (972) 649-6689  
[www.fairviewmicrowave.com](http://www.fairviewmicrowave.com)  
[sales@fairviewmicrowave.com](mailto:sales@fairviewmicrowave.com)

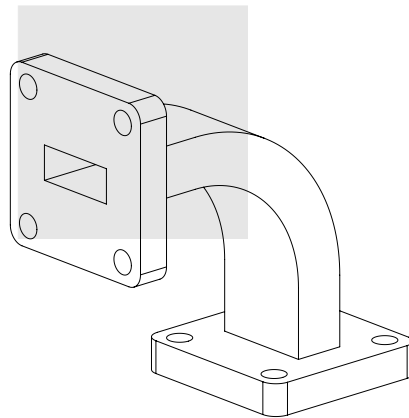
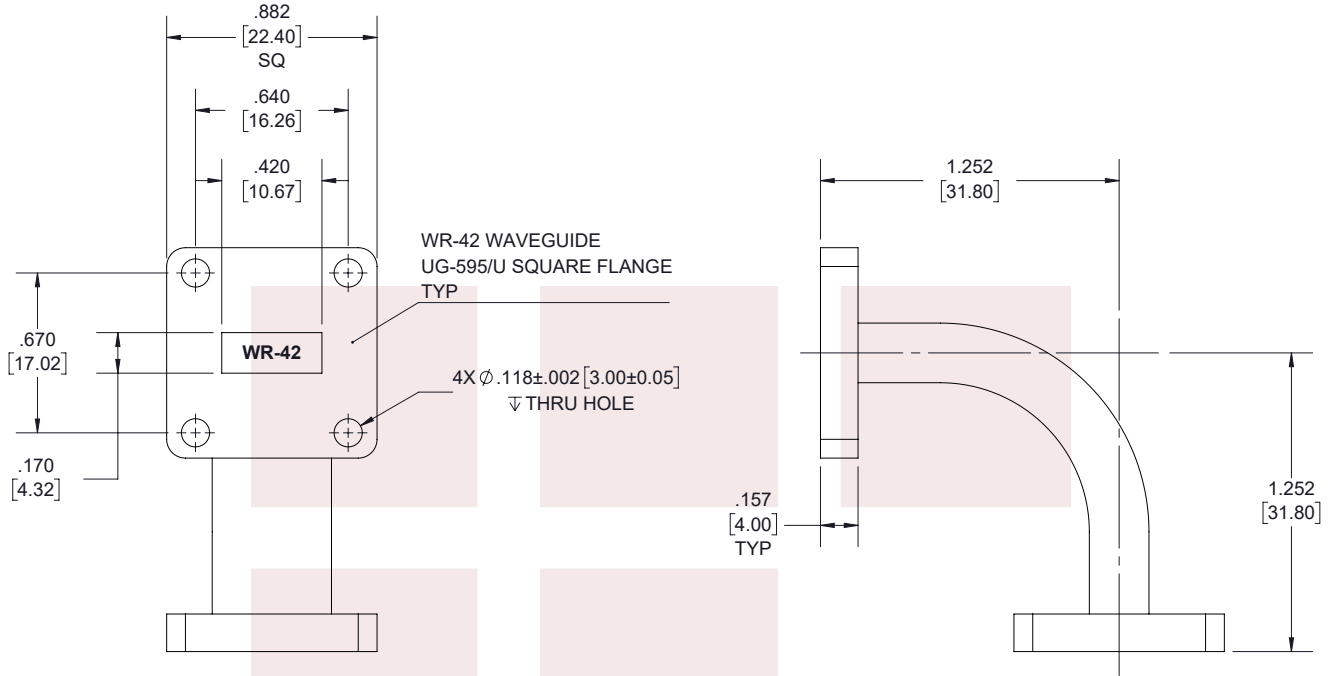
WR-42 Waveguide E-Bend Instrumentation Grade Using UG-595/U Flange with a 18 GHz to 26.5 GHz Frequency Range from Fairview Microwave is in-stock and available to ship same-day. All of our RF/microwave products are available off-the-shelf from our ISO 9001:2008 certified facilities in Lewisville, Texas. Fairview Microwave is RF on-demand.

For additional information on this product, please click the following link: [WR-42 Waveguide E-Bend Instrumentation Grade Using UG-595/U Flange with a 18 GHz to 26.5 GHz Frequency Range FMW42B101](#)

URL: <https://www.fairviewmicrowave.com/wr-42-waveguide-e-bend-ug-595-u-flange-18-26.5-ghz-fmw42b101-p.aspx>

The information contained in this document is accurate to the best of our knowledge and representative of the part described herein. It may be necessary to make modifications to the part and/or the documentation of the part, in order to implement improvements. Fairview Microwave reserves the right to make such changes as required. Unless otherwise stated, all specifications are nominal. Fairview Microwave does not make any representation or warranty regarding the suitability of the part described herein for any particular purpose, and Fairview Microwave does not assume any liability arising out of the use of any part or documentation.





**STANDARD TOLERANCES**

- .X ±0.2
- .XX ±0.01
- .XXX ±0.005

\*STANDARD TOLERANCES APPLY ONLY TO DIMENSIONS IN INCHES

**NOTES:**

1. UNLESS OTHERWISE SPECIFIED ALL DIMENSIONS ARE NOMINAL.
2. ALL SPECIFICATIONS ARE SUBJECT TO CHANGE WITHOUT NOTICE AT ANY TIME.
3. DIMENSIONS ARE IN INCHES [mm].

TITLE WR-42 Waveguide E-Bend Instrumentation Grade Using UG-595/U Flange with a 18 GHz to 26.5 GHz Frequency Range	DWG NO <b>FMW42B101</b>		CAGE CODE <b>3FKR5</b>		
	CAD FILE 07/05/19	SHEET 1 OF 1	SCALE N/A	SIZE A	7361