

WR-28 Waveguide Termination 1 Watt with a 26.5 GHz to 40 GHz Frequency Range, Brass with UG Style Flange

The FMW28TR1003 is a WR-28 waveguide termination/load that operates in the frequency range of 26.5 GHz to 40 GHz. This WR-28 waveguide termination has a Max VSWR of 1.03:1. This waveguide termination design is made of painted brass and incorporates a standard UG Square Cover flange. In addition to waveguide termination product line, Fairview Microwave also offers a wide range of waveguide products which are available in stock and ready for same-day shipment.

Electrical Specifications

| Description | Min | Typ | Max | Units |
|------------------|------|-----|--------|-------|
| Frequency Range | 26.5 | | 40 | GHz |
| VSWR | | | 1.03:1 | |
| Input Power (CW) | | | 1 | Watt |

Mechanical Specifications

Size

| | |
|------------|--------------------|
| Length | 1.97 in [50.04 mm] |
| Width/Dia. | 0.75 in [19.05 mm] |
| Height | 0.75 in [19.05 mm] |

| Description | Flange | Waveguide |
|-------------|--------------|-----------|
| Designation | UG-599/U | WR-28 |
| Type | Square Cover | |
| Material | Brass | Brass |
| Plating | Gold | Gold |
| Finish | | Gold |

Environmental Specifications

Temperature

| | |
|-----------------|------------------|
| Operating Range | -40 to +70 deg C |
|-----------------|------------------|

Compliance Certifications (see [product page](#) for current document)

Plotted and Other Data

Notes:



Features:

- WR-28 Waveguide
- Operating Frequency Range from 26.5 GHz to 40 GHz
- UG Square Cover Flange
- 1.03:1 Max VSWR
- 1 Watts Average Power Handling

Applications:

- Radar Systems
- Military and Space
- Wireless Radio Systems
- Telecom Infrastructure
- Communication Systems
- R&D Labs
- Microwave Radio Systems

Fairview Microwave
 301 Leora Ln., Suite 100
 Lewisville, TX 75056
 Tel: 1-800-715-4396 / (972) 649-6678
 Fax: (972) 649-6689
www.fairviewmicrowave.com
sales@fairviewmicrowave.com

WR-28 Waveguide Termination 1 Watt with a 26.5 GHz to 40 GHz Frequency Range, Brass with UG Style Flange from Fairview Microwave is in-stock and available to ship same-day. All of our RF/microwave products are available off-the-shelf from our ISO 9001:2008 certified facilities in Lewisville, Texas. Fairview Microwave is RF on-demand.

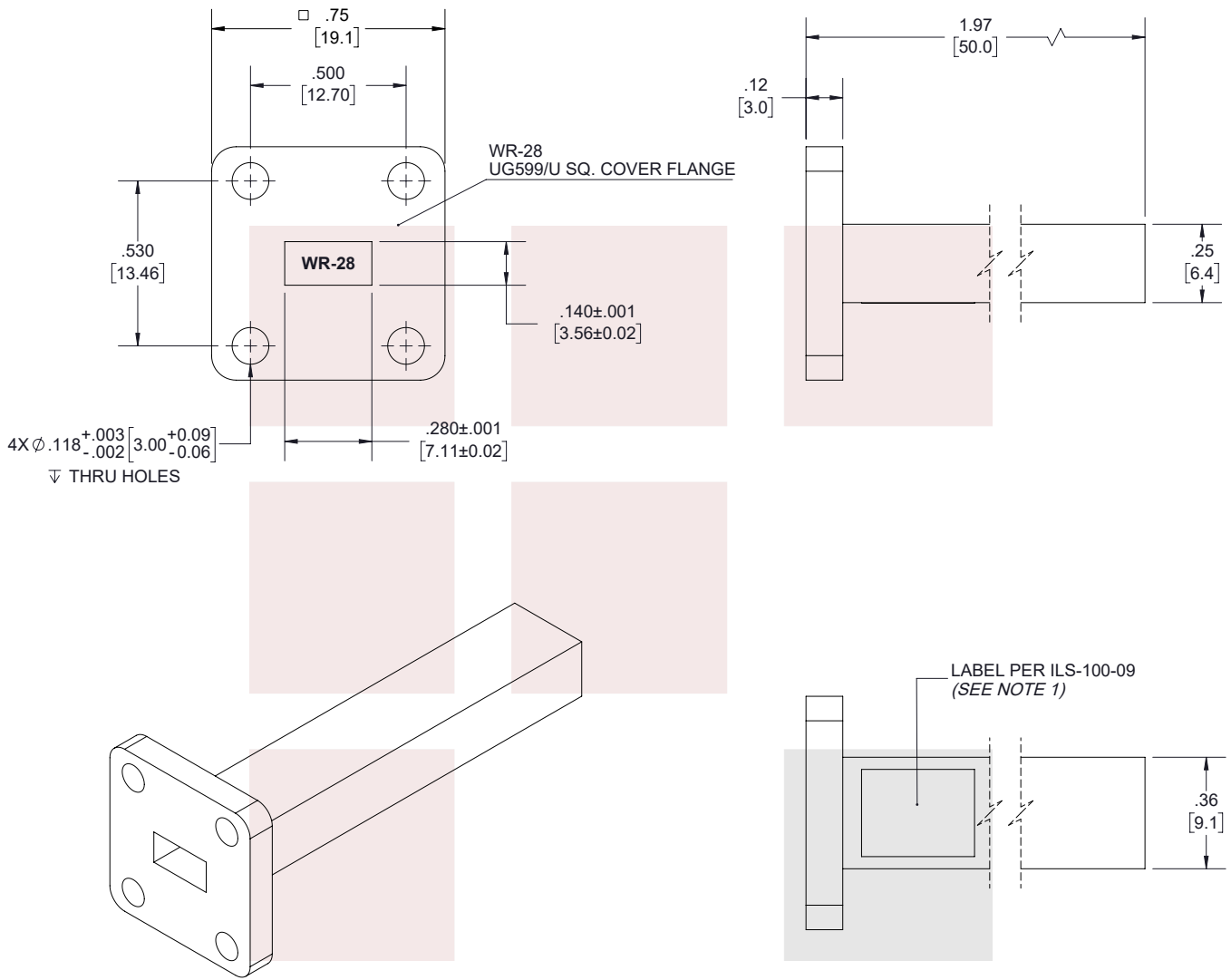
For additional information on this product, please click the following link: [WR-28 Waveguide Termination 1 Watt with a 26.5 GHz to 40 GHz Frequency Range, Brass with UG Style Flange FMW28TR1003](#)

URL: <https://www.fairviewmicrowave.com/wr-28-waveguide-termination-1-watts-instrumentation-grade-26.5-40-ghz-fmw28tr1003-p.aspx>

The information contained in this document is accurate to the best of our knowledge and representative of the part described herein. It may be necessary to make modifications to the part and/or the documentation of the part, in order to implement improvements. Fairview Microwave reserves the right to make such changes as required. Unless otherwise stated, all specifications are nominal. Fairview Microwave does not make any representation or warranty regarding the suitability of the part described herein for any particular purpose, and Fairview Microwave does not assume any liability arising out of the use of any part or documentation.



| REVISIONS | | | |
|-----------|-----------------|-----------|----------|
| REV. | DESCRIPTION | DATE | APPROVED |
| A | INITIAL RELEASE | 3/31/2021 | S.PONG |



NOTES:

- LABEL PER ILS-100-09. FOR INTERNAL USE ONLY. LABEL LOCATION FOR REFERENCE ONLY.

THESE COMMODITIES, TECHNOLOGY OR SOFTWARE WERE EXPORTED FROM THE UNITED STATES IN ACCORDANCE WITH THE EXPORT ADMINISTRATION REGULATIONS. DIVERSION CONTRARY TO U.S. LAW PROHIBITED.

| | | | | | |
|--|--|---|--|--------------------------------------|--|
| <p>Fairview Microwave an INFINIT[®] brand</p> | <p>UNLESS OTHERWISE SPECIFIED LEADING DIMENSIONS ARE INCHES DIMENSIONS IN [] ARE MILLIMETERS</p> | | <p>THIRD-ANGLE PROJECTION</p> | | |
| | <p>TOLERANCES:</p> <p>.X = ± 2 [5.08] FRACTIONS ± 1/32 .XX = ± .02 [.51] ANGLES ± 1° .XXX = ± .005 [.13]</p> | | <p>CABLE LENGTH (L) TOLERANCES:</p> <p>L ≤ 12 [305] = +1 [25] / -0 12 [305] < L ≤ 60 [1524] = +2 [51] / -0 60 [1524] < L ≤ 120 [3048] = +4 [102] / -0 120 [3048] < L ≤ 300 [7620] = +6 [152] / -0 300 [7620] < L = +5%L / -0</p> | | <p>THE INFORMATION AND DESIGN IN THIS DOCUMENT IS THE PROPERTY OF FAIRVIEW MICROWAVE CORPORATION. ALL RIGHTS RESERVED.</p> |
| <p>TITLE</p> <p>WR-28 Waveguide Termination 1 Watt with a 26.5 GHz to 40 GHz Frequency Range, Brass with UG Style Flange</p> | | <p>ALL DIMENSIONS SHOWN ARE FOR REFERENCE ONLY.</p> | | <p>SHEET 1 OF 1</p> <p>SCALE N/A</p> | |
| SIZE | CAGE CODE | DRAWN BY | ITEM NO. | REV | |
| A | 3FKR5 | K.DANG | FMW28TR1003 | A | |

T-Rev.D