

## N Female (Jack) Termination (Load) 5 Watts to 12.4 GHz, Aluminum Body, 1.25:1 VSWR

Fairview Microwave's FMTR1133 is an RF termination (also called RF load or dummy load) that operates from DC to 12.4 GHz and handles up to 5 Watt (CW). Our N termination / load has a female gender. FMTR1133 N load termination offers 1.25:1 max VSWR.

RF load / terminations are indispensable components in many RF, microwave and millimeter wave systems where signal reflection from unused ports can potentially damage the device or reduce the signal integrity. By using a terminator on an unused port with a matched load (dummy load), the incident energy will be absorbed with minimal reflection. These termination components are commonly used to terminate devices such as couplers, circulators, and switches. They are also widely used in measurement systems to ensure accurate results. Fairview Microwave offers a huge selection of RF, microwave and millimeter wave terminations up to 65 GHz with excellent performance over the entire operating range and power handling capabilities up to 800 Watt (CW).

### Electrical Specifications

Description	Min	Typ	Max	Units
Frequency Range	DC		12.4	GHz
Impedance		50		Ohms
VSWR			1.25:1	
Input Power (CW) Derated linearly to 0.5W at 125°C			5	Watts
Input Power (Peak) 5 μs pulse, 0.25% Duty Cycle			1	kWatts

### Mechanical Specifications

Size	
Length	2.05 in [52.07 mm]
Width	0.71 in [18.03 mm]
Height	0.71 in [18.03 mm]
Weight	0.11 lbs [49.9 g]

### Configuration

Connector	N Female
-----------	----------

### Material Specifications

Description	Material	Plating
Connector 1 Contact	Beryllium Copper	Gold
Body	Aluminum	
Housing	Aluminum	

### Environmental Specifications

Temperature Operating Range	-55 to +85 deg C
--------------------------------	------------------



### Features:

- DC to 12.4 GHz Frequency Range
- 50 Ohm Impedance
- SMA Male Coaxial Interface
- Max VSWR 1.3:1
- Max Power 5 Watts (CW)

### Applications:

- Instrumentation
- Precision Measurements
- Prototyping and Characterization
- Production Systems
- WIFI 6E
- 5G Cellular Bands

Fairview Microwave  
 301 Leora Ln., Suite 100  
 Lewisville, TX 75056  
 Tel: 1-800-715-4396 / (972) 649-6678  
 Fax: (972) 649-6689  
[www.fairviewmicrowave.com](http://www.fairviewmicrowave.com)  
[sales@fairviewmicrowave.com](mailto:sales@fairviewmicrowave.com)

**Compliance Certifications** (see [product page](#) for current document)

**Plotted and Other Data**

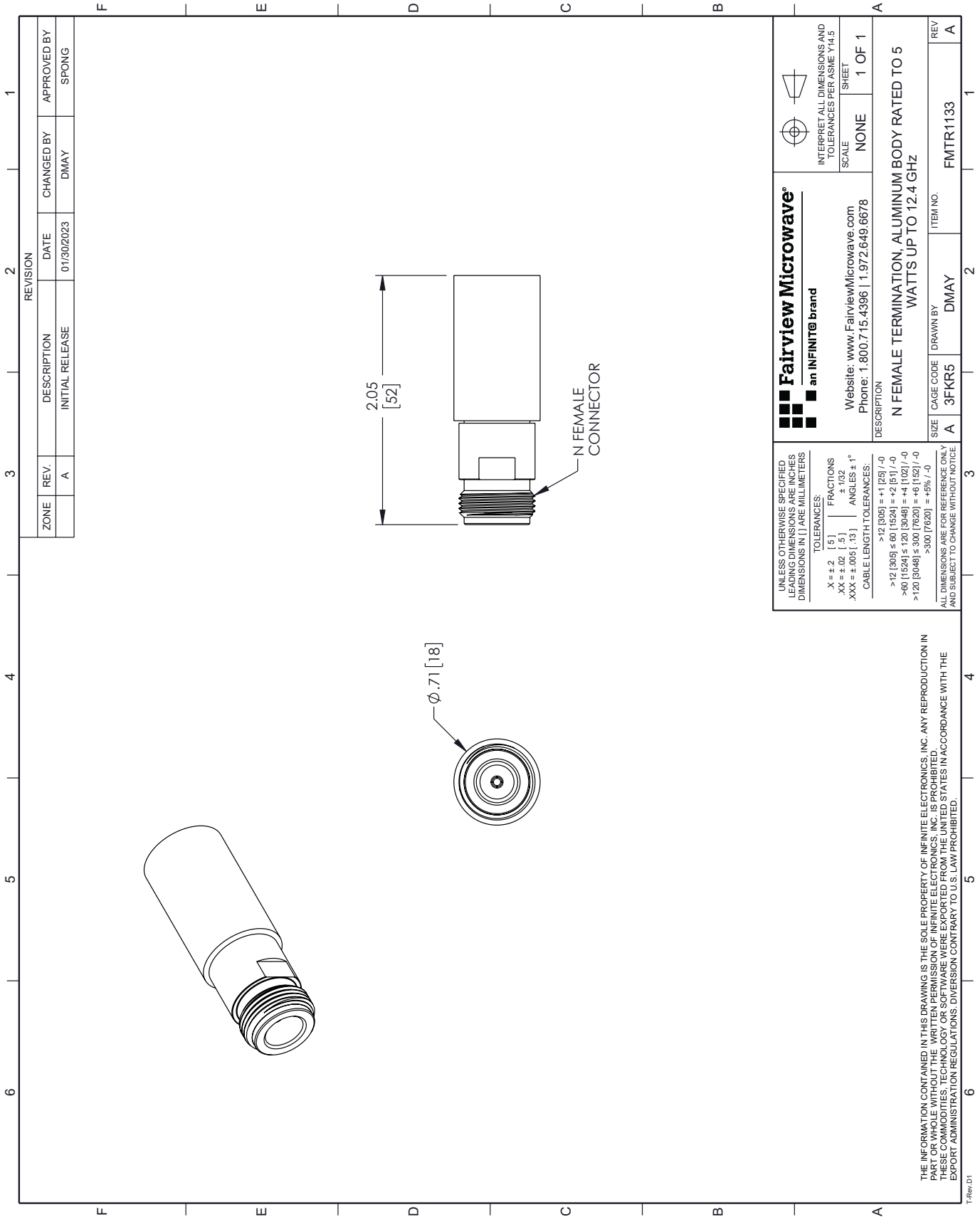
Notes:

N Female (Jack) Termination (Load) 5 Watts to 12.4 GHz, Aluminum Body, 1.25:1 VSWR from Fairview Microwave is in-stock and available to ship same-day. All of our RF/microwave products are available off-the-shelf from our ISO 9001:2008 certified facilities in Lewisville, Texas. Fairview Microwave is RF on-demand.

For additional information on this product, please click the following link: [N Female \(Jack\) Termination \(Load\) 5 Watts to 12.4 GHz, Aluminum Body, 1.25:1 VSWR FMTR1133](#)

URL: <https://www.fairviewmicrowave.com/rf-load-5-watts-12.4-ghz-n-female-fmtr1133-p.aspx>

The information contained in this document is accurate to the best of our knowledge and representative of the part described herein. It may be necessary to make modifications to the part and/or the documentation of the part, in order to implement improvements. Fairview Microwave reserves the right to make such changes as required. Unless otherwise stated, all specifications are nominal. Fairview Microwave does not make any representation or warranty regarding the suitability of the part described herein for any particular purpose, and Fairview Microwave does not assume any liability arising out of the use of any part or documentation.



REVISION		DATE	CHANGED BY	APPROVED BY
ZONE	REV.	DESCRIPTION	INITIAL RELEASE	SPONG
	A		DMAY	

UNLESS OTHERWISE SPECIFIED, LEADING DIMENSIONS ARE INCHES DIMENSIONS IN [ ] ARE MILLIMETERS

TOLERANCES:  
 .X = ±.2 [ 5 ] FRACTIONS  
 .XX = ±.02 [ .5 ] ±.132  
 .XXX = ±.005 [ .13 ] ANGLES ± 1°

CABLE LENGTH TOLERANCES:  
 >12 [305] = +1 [25] / -0  
 >12 [305] ≤ 60 [1524] = +2 [51] / -0  
 >60 [1524] ≤ 120 [3048] = +4 [102] / -0  
 >120 [3048] ≤ 300 [7620] = +6 [152] / -0  
 >300 [7620] = +5% / -0

ALL DIMENSIONS ARE FOR REFERENCE ONLY AND SUBJECT TO CHANGE WITHOUT NOTICE

THE INFORMATION CONTAINED IN THIS DRAWING IS THE SOLE PROPERTY OF INFINITE ELECTRONICS, INC. ANY REPRODUCTION IN PART OR WHOLE WITHOUT THE WRITTEN PERMISSION OF INFINITE ELECTRONICS, INC. IS PROHIBITED. THESE COMMODITIES, TECHNOLOGY OR SOFTWARE WERE EXPORTED FROM THE UNITED STATES IN ACCORDANCE WITH THE EXPORT ADMINISTRATION REGULATIONS. DIVERSION CONTRARY TO U.S. LAW PROHIBITED.

Website: [www.FairviewMicrowave.com](http://www.FairviewMicrowave.com)  
 Phone: 1.800.715.4396 | 1.972.649.6678

FAIRVIEW MICROWAVE  
 an INFINIT<sup>®</sup> brand

INTERPRET ALL DIMENSIONS AND TOLERANCES PER ASME Y14.5 SHEET

SCALE NONE  
 SHEET 1 OF 1

DESCRIPTION  
 N FEMALE TERMINATION, ALUMINUM BODY RATED TO 5 WATTS UP TO 12.4 GHz

SIZE A  
 CAGE CODE 3FKR5  
 DRAWN BY DMAY  
 ITEM NO. FMTR1133  
 REV A