

N Male (Plug) Termination (Load) 5 Watts to 12.4 GHz, Aluminum Body, 1.25:1 VSWR

Fairview Microwave's FMTR1132 is an RF termination (also called RF load or dummy load) that operates from DC to 12.4 GHz and handles up to 5 Watt (CW). Our N termination / load has a male gender. FMTR1132 N load termination offers 1.25:1 max VSWR.

RF load / terminations are indispensable components in many RF, microwave and millimeter wave systems where signal reflection from unused ports can potentially damage the device or reduce the signal integrity. By using a terminator on an unused port with a matched load (dummy load), the incident energy will be absorbed with minimal reflection. These termination components are commonly used to terminate devices such as couplers, circulators, and switches. They are also widely used in measurement systems to ensure accurate results. Fairview Microwave offers a huge selection of RF, microwave and millimeter wave terminations up to 65 GHz with excellent performance over the entire operating range and power handling capabilities up to 800 Watt (CW).



Features:

- DC to 12.4 GHz Frequency Range
- 50 Ohm Impedance
- SMA Male Coaxial Interface
- Max VSWR 1.3:1
- Max Power 5 Watts (CW)

Applications:

- Instrumentation
- Precision Measurements
- Prototyping and Characterization
- Production Systems
- WIFI 6E
- 5G Cellular Bands

Electrical Specifications

| Description | Min | Typ | Max | Units |
|---|-----|-----|--------|--------|
| Frequency Range | DC | | 12.4 | GHz |
| Impedance | | 50 | | Ohms |
| VSWR | | | 1.25:1 | |
| Input Power (CW) Derated linearly to 0.5W at 125°C | | | 5 | Watts |
| Input Power (Peak) 5 μs pulse, 0.25% Duty Cycle | | | 1 | kWatts |

Mechanical Specifications

| | |
|-------------|--------------------|
| Size | |
| Length | 2.09 in [53.09 mm] |
| Width | 0.79 in [20.07 mm] |
| Height | 0.79 in [20.07 mm] |
| Weight | 0.11 lbs [49.9 g] |

Configuration

Connector N Male

Material Specifications

| Description | Material | Plating |
|---------------------|----------|---------|
| Connector 1 Contact | Brass | Gold |
| Body | Aluminum | |
| Coupling Nut | Brass | Nickel |
| Housing | Aluminum | |

Fairview Microwave
 301 Leora Ln., Suite 100
 Lewisville, TX 75056
 Tel: 1-800-715-4396 / (972) 649-6678
 Fax: (972) 649-6689
www.fairviewmicrowave.com
sales@fairviewmicrowave.com

Environmental Specifications

Temperature

Operating Range -55 to +85 deg C

Compliance Certifications (see [product page](#) for current document)

Plotted and Other Data

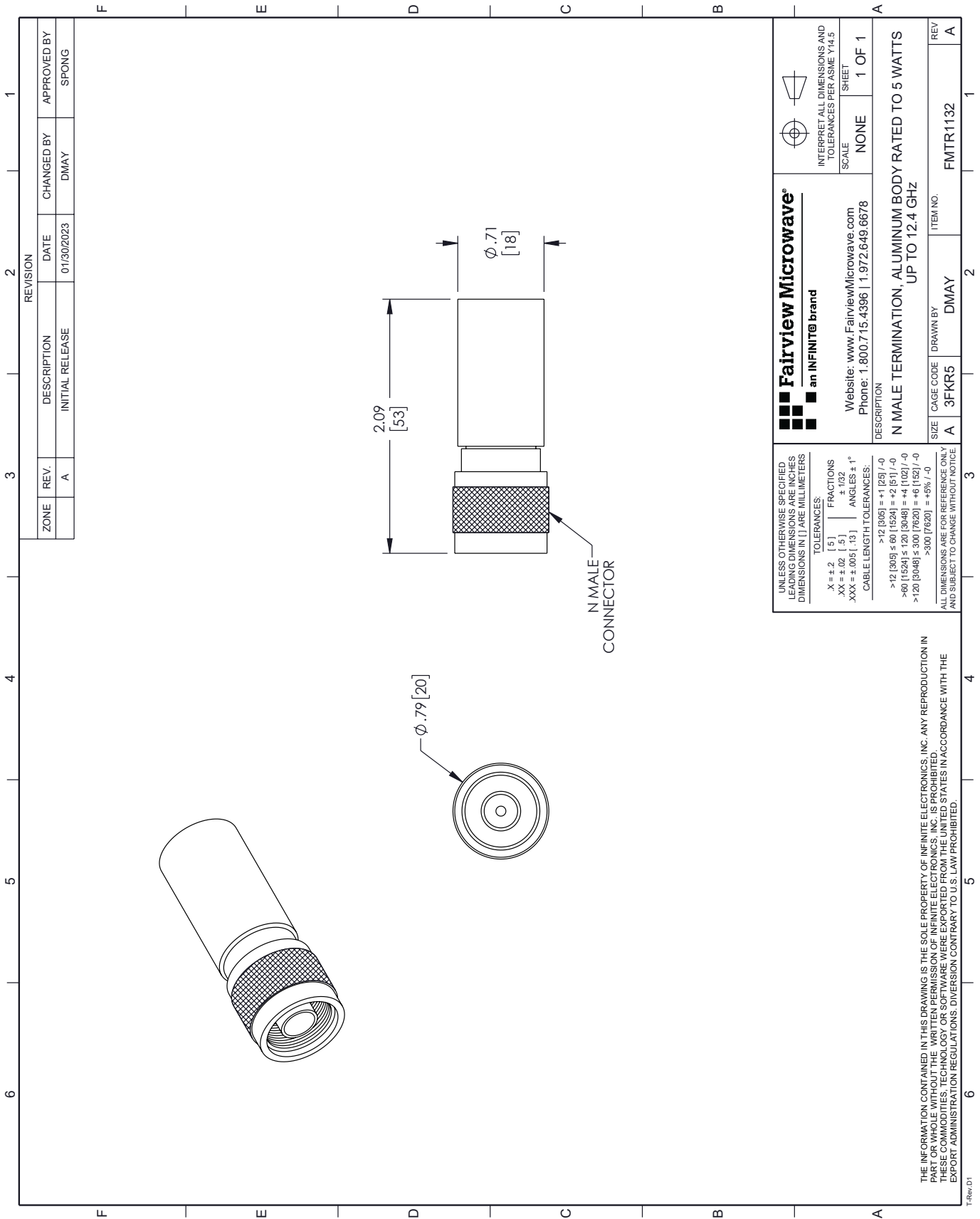
Notes:

N Male (Plug) Termination (Load) 5 Watts to 12.4 GHz, Aluminum Body, 1.25:1 VSWR from Fairview Microwave is in-stock and available to ship same-day. All of our RF/microwave products are available off-the-shelf from our ISO 9001:2008 certified facilities in Lewisville, Texas. Fairview Microwave is RF on-demand.

For additional information on this product, please click the following link: [N Male \(Plug\) Termination \(Load\) 5 Watts to 12.4 GHz, Aluminum Body, 1.25:1 VSWR FMTR1132](#)

URL: <https://www.fairviewmicrowave.com/rf-load-5-watts-12.4-ghz-n-male-fmtr1132-p.aspx>

The information contained in this document is accurate to the best of our knowledge and representative of the part described herein. It may be necessary to make modifications to the part and/or the documentation of the part, in order to implement improvements. Fairview Microwave reserves the right to make such changes as required. Unless otherwise stated, all specifications are nominal. Fairview Microwave does not make any representation or warranty regarding the suitability of the part described herein for any particular purpose, and Fairview Microwave does not assume any liability arising out of the use of any part or documentation.



| REVISION | | DATE | CHANGED BY | APPROVED BY |
|----------|------|-------------|-----------------|-------------|
| ZONE | REV. | DESCRIPTION | INITIAL RELEASE | |
| | A | | | SPONG |

| | | |
|---|-----------|--|
| Fairview Microwave[®] an INFINIT [®] brand Website: www.FairviewMicrowave.com Phone: 1.800.715.4396 1.972.649.6678 | | INTERPRET ALL DIMENSIONS AND TOLERANCES PER ASME Y14.5 SCALE: NONE SHEET: 1 OF 1 |
| DESCRIPTION: N MALE TERMINATION, ALUMINUM BODY RATED TO 5 WATTS UP TO 12.4 GHz | | |
| SIZE | CAGE CODE | ITEM NO. |
| A | 3FKR5 | FMTR1132 |

UNLESS OTHERWISE SPECIFIED, LEADING DIMENSIONS ARE INCHES DIMENSIONS IN [] ARE MILLIMETERS

TOLERANCES:

| | | | |
|---------------|---------|--------------------------|--------|
| .X = ± .2 | [.5] | FRACTIONS | ± .132 |
| .XX = ± .02 | [.5] | ANGLES ± 1° | |
| .XXX = ± .005 | [.13] | CABLE LENGTH TOLERANCES: | |

>12 [305] = +1 [25] / -0
 >60 [1524] ≤ 60 [1524] = +2 [51] / -0
 >60 [1524] ≤ 120 [3048] = +4 [102] / -0
 >120 [3048] ≤ 300 [7620] = +6 [152] / -0
 >300 [7620] = +5% / -0

ALL DIMENSIONS ARE FOR REFERENCE ONLY AND SUBJECT TO CHANGE WITHOUT NOTICE

THE INFORMATION CONTAINED IN THIS DRAWING IS THE SOLE PROPERTY OF INFINITE ELECTRONICS, INC. ANY REPRODUCTION IN PART OR WHOLE WITHOUT THE WRITTEN PERMISSION OF INFINITE ELECTRONICS, INC. IS PROHIBITED. THESE COMMODITIES, TECHNOLOGY OR SOFTWARE WERE EXPORTED FROM THE UNITED STATES IN ACCORDANCE WITH THE EXPORT ADMINISTRATION REGULATIONS. DIVERSION CONTRARY TO U.S. LAW PROHIBITED.