

2 Watt RF Load 6 GHz with 4.3-10 Male

RF termination (also called RF load or dummy load) FMTR1121 from Fairview Microwave operates from DC to 6 GHz and handles up to 2 Watts (CW). This 4.3-10 termination (or load) is a 50 Ohm impedance and has a Male gender. FMTR1121 50 Ohm 4.3-10 load termination offers 1.250 max VSWR.

RF terminations / loads are critical passive components in many RF, microwave and millimeter wave systems where signal reflection from unused ports can reduce the signal integrity can potentially damage the device. By terminating an unused port with a matched load (dummy load), the incident energy will be absorbed with minimal reflection. These radio frequency termination components are commonly used to terminate devices such as couplers, circulators, and switches. Loads / terminations are also widely used in measurement systems to ensure accurate results. Fairview Microwave offers a large selection of in-stock RF, microwave and millimeter wave terminations up to 65 GHz with great performance over the entire operating range and with power handling capabilities up to 800 Watts (CW).

Electrical Specifications

Description	Min	Typ	Max	Units
Frequency Range	DC		6	GHz
Impedance		50		Ohms
VSWR			1.25:1	
Input Power (CW)			2	Watts
Input Power (Peak)			500	Watts

Mechanical Specifications

Size	
Length	2 in [50.8 mm]
Width	0.71 in [18.03 mm]
Weight	0.1 lbs [45.36 g]
Configuration	
Connector	Threaded 4.3-10 Male

Material Specifications

Description	Material	Plating
Connector 1 Contact	Brass	Gold
Body	Aluminum	

Environmental Specifications

Temperature	
Operating Range	-55 to +125 deg C



Features:

- 50 Ohm RF Load
- DC to 6 GHz Frequency Range
- VSWR 1.25:1 Max
- Max Power 2 Watt (CW)
- 4.3-10 Male Coaxial Interface

Applications:

- Wireless
- DAS Systems
- Radar Systems
- Test and Measurement
- Commercial and Military Communication

Fairview Microwave
 301 Leora Ln., Suite 100
 Lewisville, TX 75056
 Tel: 1-800-715-4396 / (972) 649-6678
 Fax: (972) 649-6689
www.fairviewmicrowave.com
sales@fairviewmicrowave.com

Compliance Certifications (see [product page](#) for current document)

Plotted and Other Data

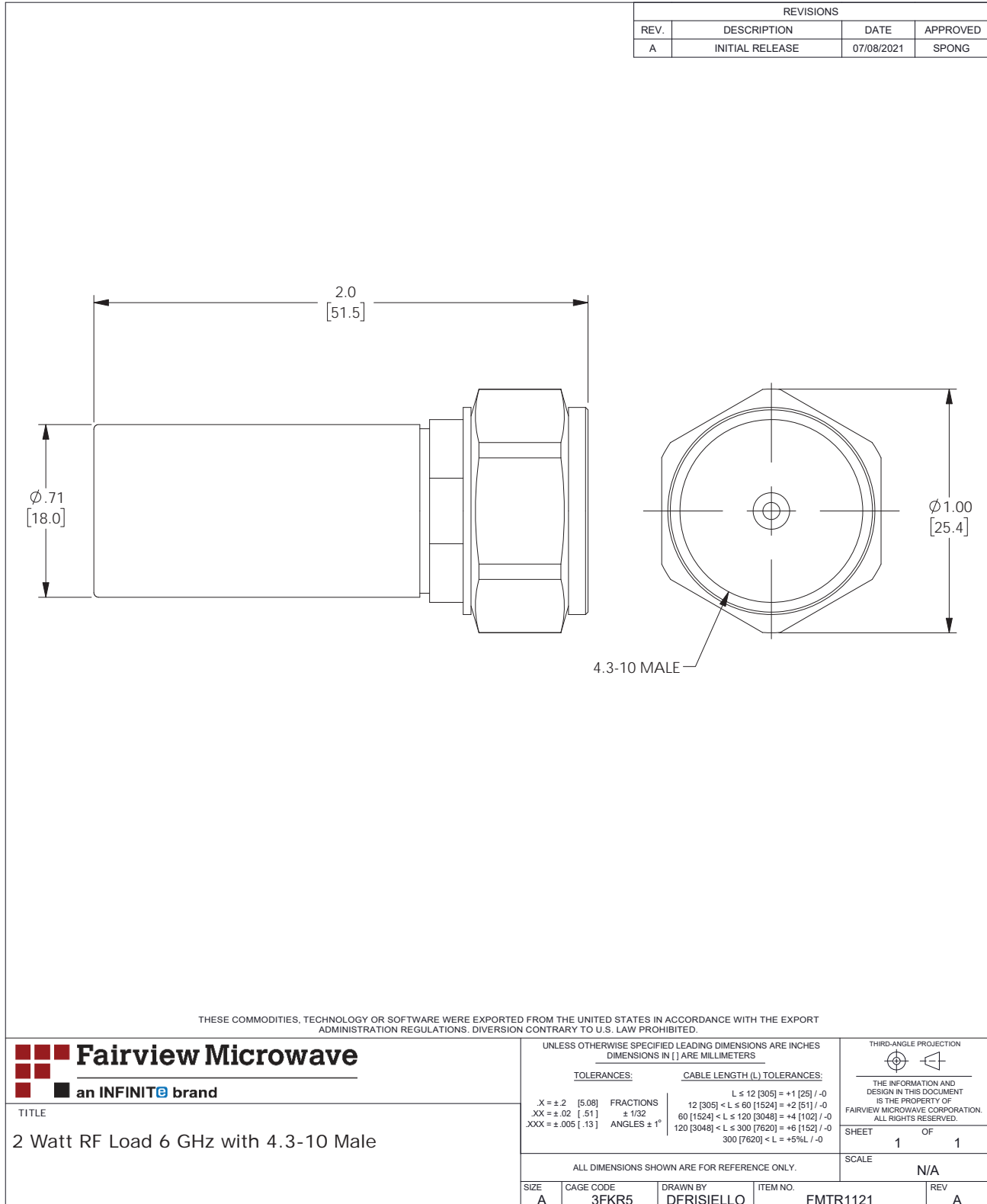
Notes:

2 Watt RF Load 6 GHz with 4.3-10 Male from Fairview Microwave is in-stock and available to ship same-day. All of our RF/microwave products are available off-the-shelf from our ISO 9001:2008 certified facilities in Lewisville, Texas. Fairview Microwave is RF on-demand.

For additional information on this product, please click the following link: [2 Watt RF Load 6 GHz with 4.3-10 Male FMTR1121](#)

URL: <https://www.fairviewmicrowave.com/rf-load-2-watts-6-ghz-4.3-10-male-fmtr1121-p.aspx>

The information contained in this document is accurate to the best of our knowledge and representative of the part described herein. It may be necessary to make modifications to the part and/or the documentation of the part, in order to implement improvements. Fairview Microwave reserves the right to make such changes as required. Unless otherwise stated, all specifications are nominal. Fairview Microwave does not make any representation or warranty regarding the suitability of the part described herein for any particular purpose, and Fairview Microwave does not assume any liability arising out of the use of any part or documentation.



T-Rev.D