

RF Load 1 Watts to 18 GHz SMP Female

RF termination (also called RF load or dummy load) FMTR1040 from Fairview Microwave operates from DC to 18 GHz and handles up to 1 Watt (CW). This SMP termination (or load) is a 50 Ohm impedance and has a Female gender. FMTR1040 50 Ohm SMP load termination offers 1.20:1 max VSWR. RF terminations / loads are critical passive components in many RF, microwave and millimeter wave systems where signal reflection from unused ports can reduce the signal integrity can potentially damage the device. By terminating an unused port with a matched load (dummy load), the incident energy will be absorbed with minimal reflection. These radio frequency termination components are commonly used to terminate devices such as couplers, circulators, and switches. Loads / terminations are also widely used in measurement systems to ensure accurate results. Fairview Microwave offers a large selection of in-stock RF, microwave and millimeter wave terminations up to 65 GHz with great performance over the entire operating range and with power handling capabilities up to 800 Watts (CW).

Electrical Specifications

Description	Min	Typ	Max	Units
Frequency Range	DC		18	GHz
Impedance		50		Ohms
VSWR			1.2:1	
Input Power (CW)			1	Watt
Input Power (Peak) 1 µsec PW, 1% DC			100	Watts

Mechanical Specifications

Weight 0.0075 lbs [3.4 g]

Configuration

Connector SMP Female
Connector Specification MIL STD-348A

Material Specifications

Description	Material	Plating
Connector 1 Contact	Beryllium Copper	Gold
Insulation	PTFE	
Body	Beryllium Copper	Gold

Environmental Specifications

Temperature

Operating Range -55 to +125 deg C
Storage Range -55 to +125 deg C



Features:

- 50 Ohm RF Load
- DC to 18 GHz Frequency Range
- VSWR 1.20:1 Max
- Max Power 1 Watt (CW)
- SMP Female Coaxial Interface

Applications:

- Wireless
- SatCom
- Radar Systems
- Test and Measurement
- Commercial and Military Communication

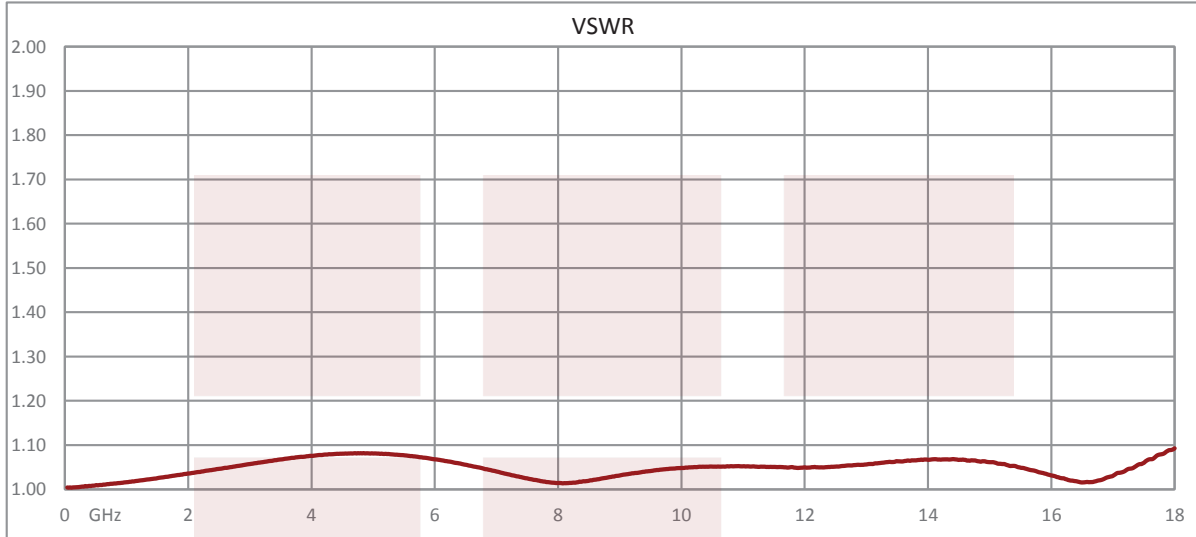
Fairview Microwave
301 Leora Ln., Suite 100
Lewisville, TX 75056
Tel: 1-800-715-4396 / (972) 649-6678
Fax: (972) 649-6689
www.fairviewmicrowave.com
sales@fairviewmicrowave.com

Compliance Certifications (see [product page](#) for current document)

Plotted and Other Data

Notes:

Typical Performance Data

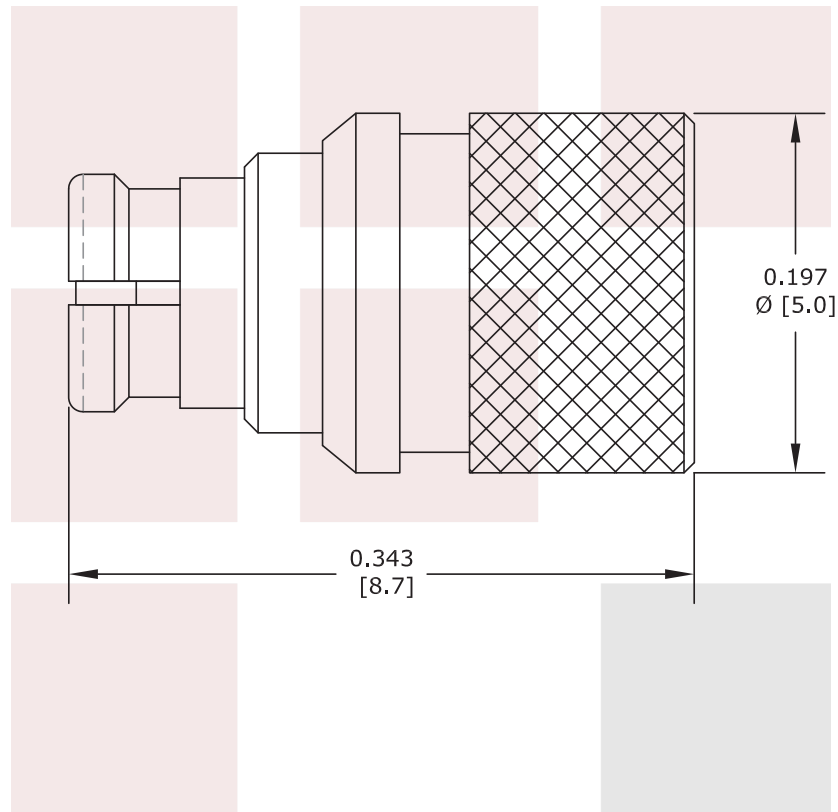


RF Load 1 Watts to 18 GHz SMP Female from Fairview Microwave is in-stock and available to ship same-day. All of our RF/microwave products are available off-the-shelf from our ISO 9001:2008 certified facilities in Allen, Texas. Fairview Microwave is RF on-demand.

For additional information on this product, please click the following link: [RF Load 1 Watts to 18 GHz SMP Female FMTR1040](#)

URL: <https://www.fairviewmicrowave.com/rf-load-1-watts-18-ghz-smp-female-fmtr1040-p.aspx>

The information contained in this document is accurate to the best of our knowledge and representative of the part described herein. It may be necessary to make modifications to the part and/or the documentation of the part, in order to implement improvements. Fairview Microwave reserves the right to make such changes as required. Unless otherwise stated, all specifications are nominal. Fairview Microwave does not make any representation or warranty regarding the suitability of the part described herein for any particular purpose, and Fairview Microwave does not assume any liability arising out of the use of any part or documentation.



STANDARD TOLERANCES	
.X	±0.2
.XX	±0.1
.XXX	±0.05

*STANDARD TOLERANCES APPLY ONLY TO DIMENSIONS IN INCHES

FAIRVIEW MICROWAVE INC. ALLEN, TX 75013 WWW.FAIRVIEWMICROWAVE.COM		NOTES: 1. UNLESS OTHERWISE SPECIFIED ALL DIMENSIONS ARE NOMINAL. 2. ALL SPECIFICATIONS ARE SUBJECT TO CHANGE WITHOUT NOTICE AT ANY TIME. 3. DIMENSIONS ARE IN INCHES [mm].			
TITLE RF Load 1 Watts to 18 GHz SMP Female		DWG NO FMTR1040		CAGE CODE 3FKR5	
CAD FILE	061417	SHEET	SCALE	N/A	SIZE A 2233