

SP4T Electro-Mechanical Relay Switch From DC to 22 GHz, 20 Watts with Indicators, SMA

FMSW6302 is a Single Pole Four Throw Absorptive Switch that operates from DC to 22 GHz. The switch has a normally open actuator and 1M life cycles. The switch has an operating voltage of 28 Volts and has Indicators.



Electrical Specifications

Switch Type	SP4T, Absorptive
Actuator Type	Normally Open
Switching Sequence	Break Before Make
Actuator Options	Indicators

Description	Min	Typ	Max	Units
Frequency Range	DC		22	GHz
Impedance		50		Ohms
Operating Voltage		28		Volts
Actuating Current @ 28 Volts		170		mA
VSWR			1.6:1	
Insertion Loss			0.6	dB
Isolation	60			dB
Input Power (CW) 22 GHz			20	Watts

Performance by Frequency

Description	F1	F2	F3	F4	F5	Units
Frequency Range	DC to 4	4 to 8	8 to 12	12 to 18	18 to 22	GHz
VSWR, Max	1.2:1	1.3:1	1.4:1	1.5:1	1.6:1	
Insertion Loss, Max	0.3	0.35	0.4	0.5	0.6	dB
Isolation, Min	75	70	65	60	60	dB

Mechanical Specifications

Size

Length	2.13 in [54.1 mm]
Width/Diameter	2.13 in [54.1 mm]
Height	2.08 in [52.83 mm]
Weight	0.625 lbs [283.5 g]

Body Material and Plating
 Aluminum, Nickel

Package Type
 Connectorized Module

Operating Life
 1,000,000 Cycles

Switching Time
 15 ms Max

Connectors

RF Connector Type	SMA Female
RF Connector Contact Material & Plating	Beryllium Copper, Gold
RF Connector Body Plating	Passivated Stainless Steel
Control Connector	Solder Pin

Features:

- SP4T Absorptive Switch
- DC to 22 GHz Operating Frequency Range
- 1 M Cycles min

Applications:

- Test & Measurement
- Communications System
- Instrumentation

Fairview Microwave
 1130 Junction Dr. #100
 Allen, TX 75013
 Tel: 1-800-715-4396 / (972) 649-6678
 Fax: (972) 649-6689
www.fairviewmicrowave.com
sales@fairviewmicrowave.com

Environmental Specifications

Temperature

Operating Range
ESD Sensitivity

-25 to +65 deg C

ESD Sensitive Material, Transport material in Approved ESD bags. Handle only in ESD Workstation.

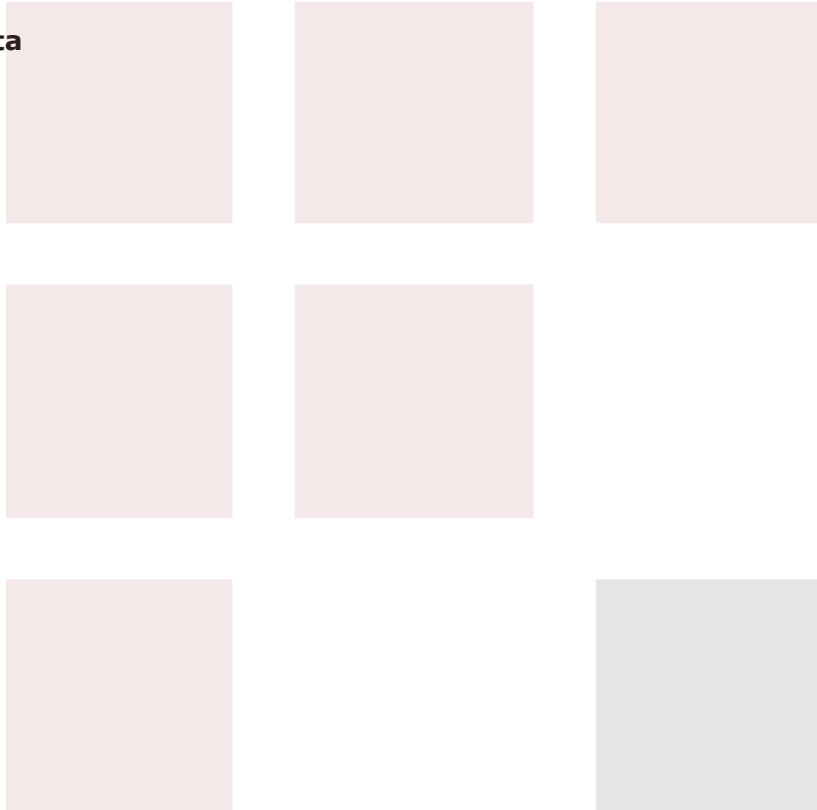


Compliance Certifications (visit www.FairviewMicrowave.com for current document)

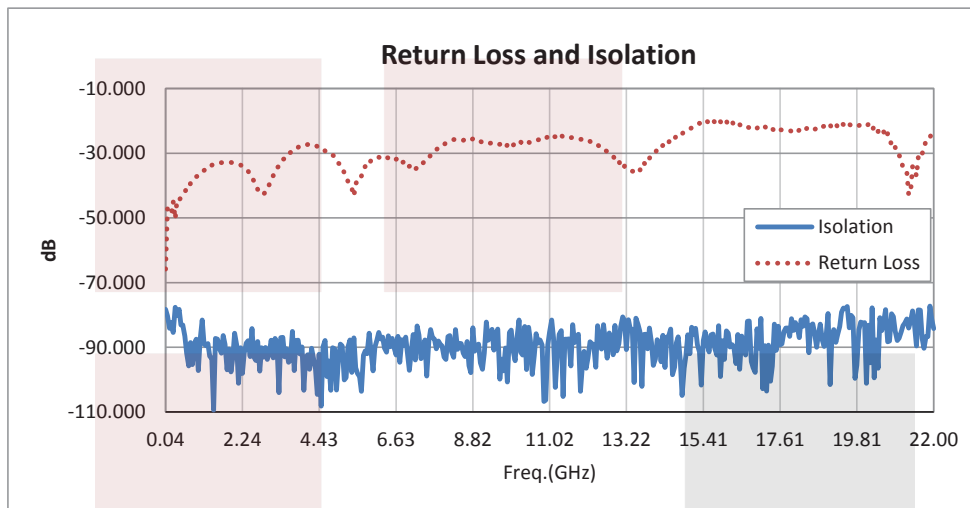
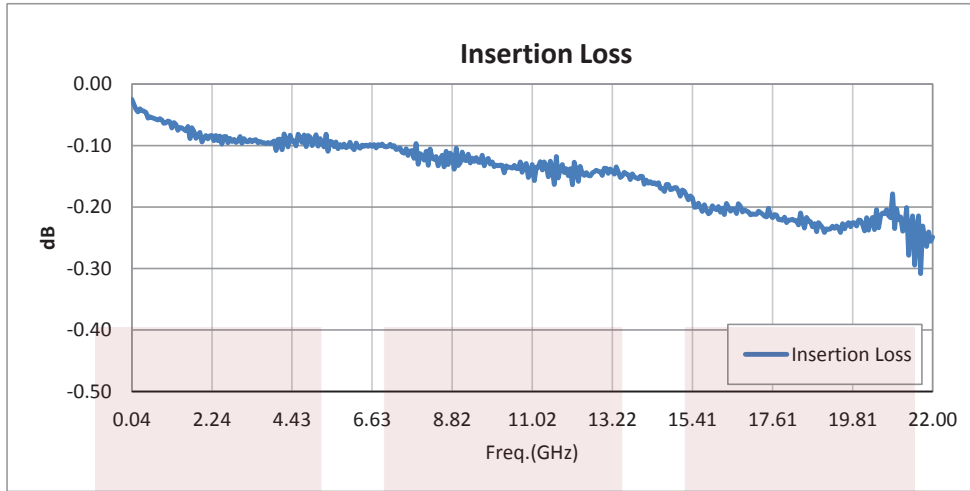
RoHS Compliant

Plotted and Other Data

Notes:



Typical Performance Data

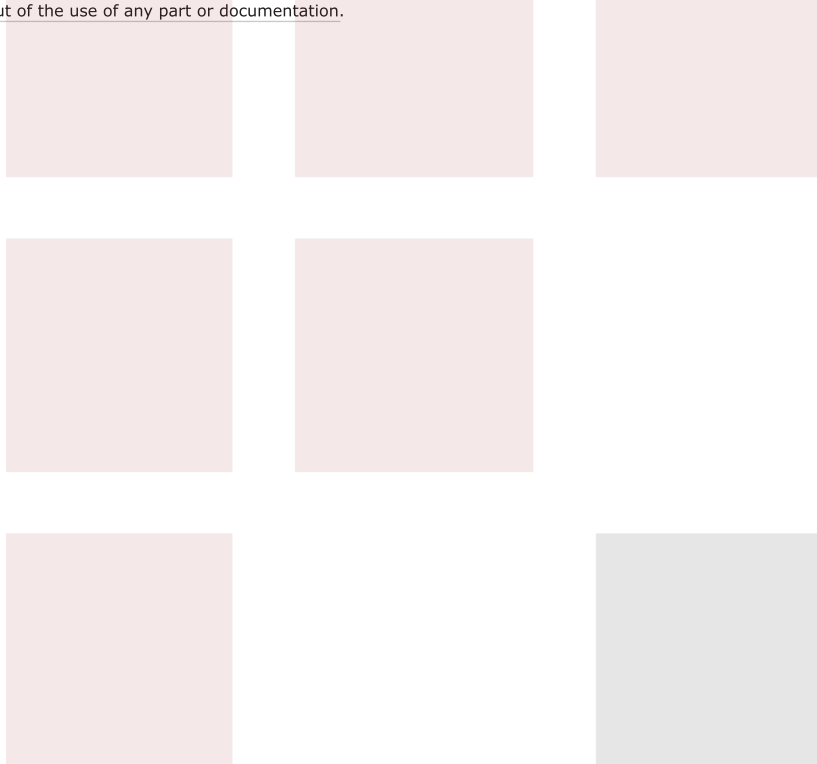


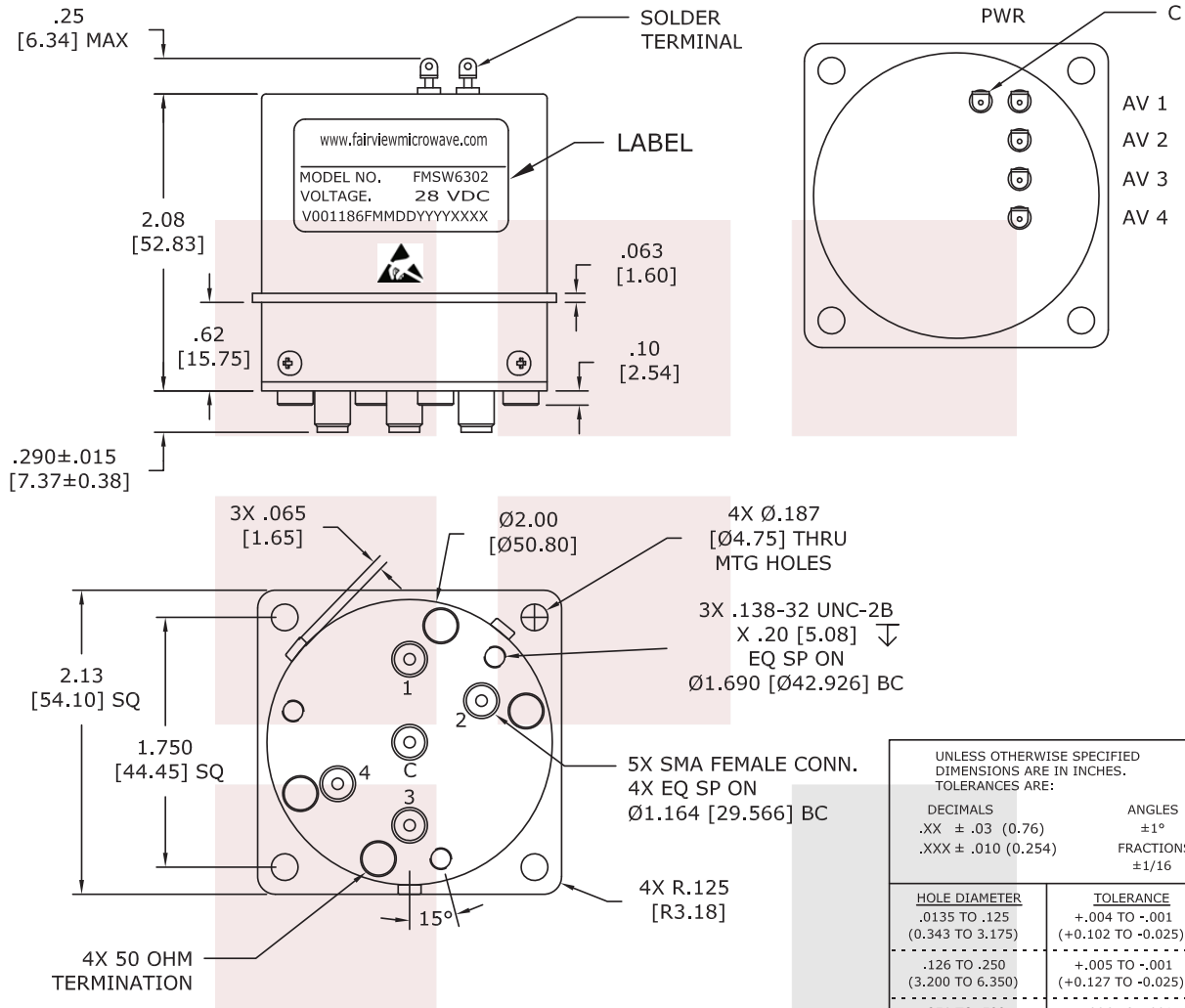
SP4T Electro-Mechanical Relay Switch From DC to 22 GHz, 20 Watts with Indicators, SMA from Fairview Microwave is in-stock and available to ship same-day. All of our RF/microwave products are available off-the-shelf from our ISO 9001:2008 certified facilities in Allen, Texas. Fairview Microwave is RF on-demand.

For additional information on this product, please click the following link: [SP4T Electro-Mechanical Relay Switch From DC to 22 GHz, 20 Watts with Indicators, SMA FMSW6302](#)

URL: <http://www.fairviewmicrowave.com/sma-electro-mechanical-relay-switch-sp4t-22-ghz-20-watts-fmsw6302-p.aspx>

The information contained in this document is accurate to the best of our knowledge and representative of the part described herein. It may be necessary to make modifications to the part and/or the documentation of the part, in order to implement improvements. Fairview Microwave reserves the right to make such changes as required. Unless otherwise stated, all specifications are nominal. Fairview Microwave does not make any representation or warranty regarding the suitability of the part described herein for any particular purpose, and Fairview Microwave does not assume any liability arising out of the use of any part or documentation.





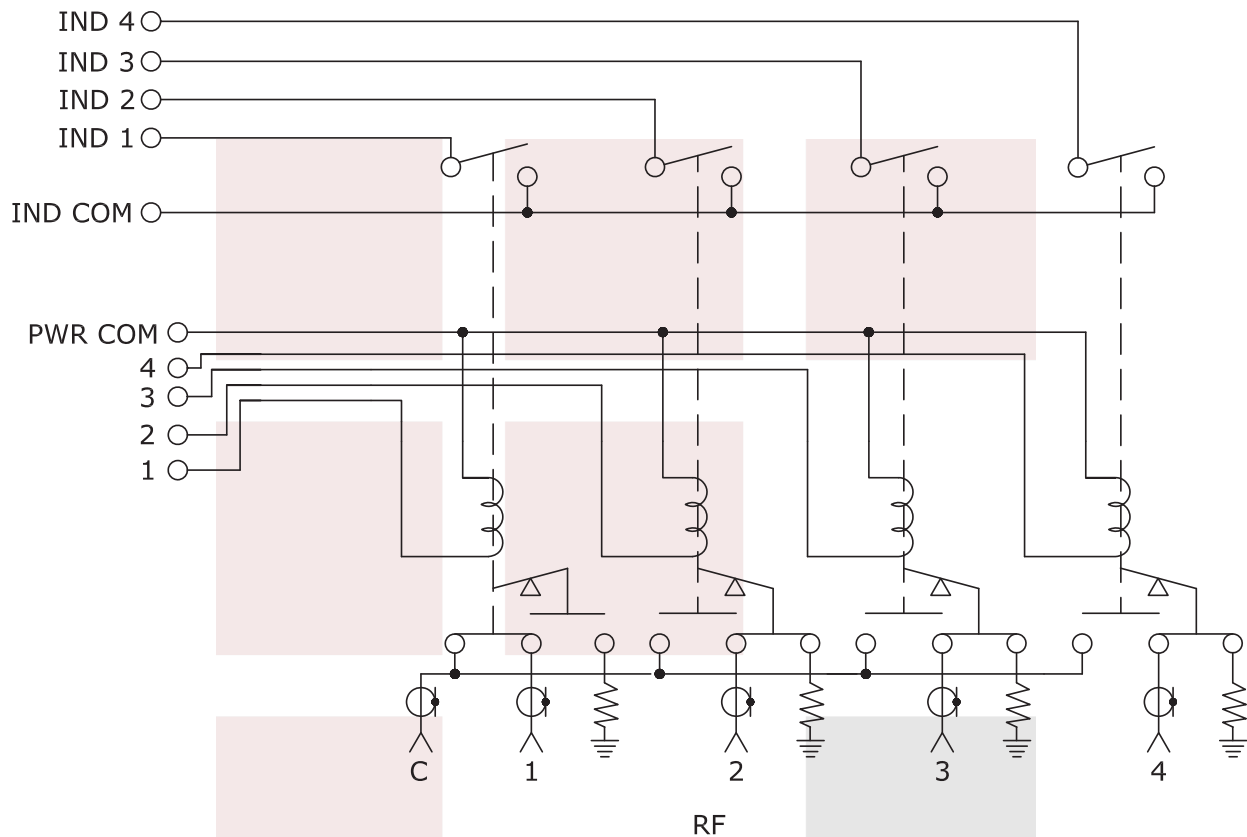
UNLESS OTHERWISE SPECIFIED DIMENSIONS ARE IN INCHES. TOLERANCES ARE:

DECIMALS	ANGLES
.XX ± .03 (0.76)	±1°
.XXX ± .010 (0.254)	FRACTIONS ±1/16

HOLE DIAMETER	TOLERANCE
.0135 TO .125 (0.343 TO 3.175)	+ .004 TO -.001 (+0.102 TO -0.025)
.126 TO .250 (3.200 TO 6.350)	+ .005 TO -.001 (+0.127 TO -0.025)
.251 TO .500 (6.375 TO 12.700)	+ .006 TO -.001 (+0.152 TO -0.025)
.501 TO .750 (12.725 TO 19.050)	+ .008 TO -.001 (+0.203 TO -0.025)
.751 TO 1.000 (19.075 TO 25.400)	+ .010 TO -.001 (+0.254 TO -0.025)
1.001 TO 2.000 (25.425 TO 50.800)	+ .012 TO -.001 (+0.305 TO -0.025)

* THESE DIMENSIONS AND TOLERANCES SUPERSEDE NOTE #1 ON TITLE BLOCK.

FAIRVIEW MICROWAVE INC. ALLEN, TX 75013 WWW.FAIRVIEWMICROWAVE.COM		NOTES: 1. UNLESS OTHERWISE SPECIFIED ALL DIMENSIONS ARE NOMINAL. 2. ALL SPECIFICATIONS ARE SUBJECT TO CHANGE WITHOUT NOTICE AT ANY TIME. 3. DIMENSIONS ARE IN INCHES [mm].			
TITLE SP4T Electro-Mechanical Relay Switch From DC to 22 GHz, 20 Watts with Indicators, SMA		DWG NO FMSW6302		CAGE CODE 3FKR5	
CAD FILE	090815	SHEET	SCALE	N/A	SIZE A 2233



SCHEMATIC NORMALLY OPEN SHOWN IN DE-ENERGIZED POSITION

FAIRVIEW MICROWAVE INC. ALLEN, TX 75013 WWW.FAIRVIEWMICROWAVE.COM		NOTES: 1. UNLESS OTHERWISE SPECIFIED ALL DIMENSIONS ARE NOMINAL. 2. ALL SPECIFICATIONS ARE SUBJECT TO CHANGE WITHOUT NOTICE AT ANY TIME. 3. DIMENSIONS ARE IN INCHES [mm].			
TITLE SP4T Electro-Mechanical Relay Switch From DC to 22 GHz, 20 Watts with Indicators, SMA		DWG NO FMSW6302		CAGE CODE 3FKR5	
CAD FILE	090815	SHEET	SCALE	N/A	SIZE A 2233