

**Type N M/F In/Out Coaxial RF Surge Protector,
 100MHz - 512MHz, DC Block, 750W, IP67, 20kA,
 Filter, Bracket Toward Body**

RF surge protector (also known as lightning arrester) FMSP1036 from Fairview Microwave utilizing a patented filter surge protection technology acts as a high-band filter shunting surge energy to ground to protect critical hardware while maintaining the RF performance. This RF surge protector component is manufactured in a coaxial in-line design with wide operating frequency range. All Fairview Microwave RF surge protector products are available in stock with same day shipping.



Electrical Specifications

Description	Surge Protector Type		Surge Filter		Units
	Min	Typ	Max		
DC Handling					
Frequency Range	100		512		MHz
Impedance		50			Ohms
VSWR				1.1:1	
Return Loss				26	dB
Insertion Loss				0.1	dB
Input Power, CW				750	Watts
Surge Current IEC 61000-4-5 8/20µs WAVEFORM				20	kA
Throughput Energy FOR 3kA, 8/20µs WAVEFORM				0.5	nJ

Mechanical Specifications

Configuration	
Input Connector	N Male
Output Connector	N Female

Environmental Specifications

Temperature	
Operating Range	-50 to 85 deg C
Ingress Protection (IP) Rating	IP 67

Compliance Certifications (see [product page](#) for current document)

Plotted and Other Data

Notes:

Features:

- Surge current of 20kA
- Max Power 750W
- Frequency range from 100 MHz to 512 MHz VHF Band
- N Male to N Female connectors
- VSWR 1.1:1
- Waterproof IP67 rated
- DC Block
- Multi-strike capability
- CE & RoHS compliant

Applications:

- Emergency response systems
- Public safety systems

Fairview Microwave
 301 Leora Ln., Suite 100
 Lewisville, TX 75056
 Tel: 1-800-715-4396 / (972) 649-6678
 Fax: (972) 649-6689
www.fairviewmicrowave.com
sales@fairviewmicrowave.com

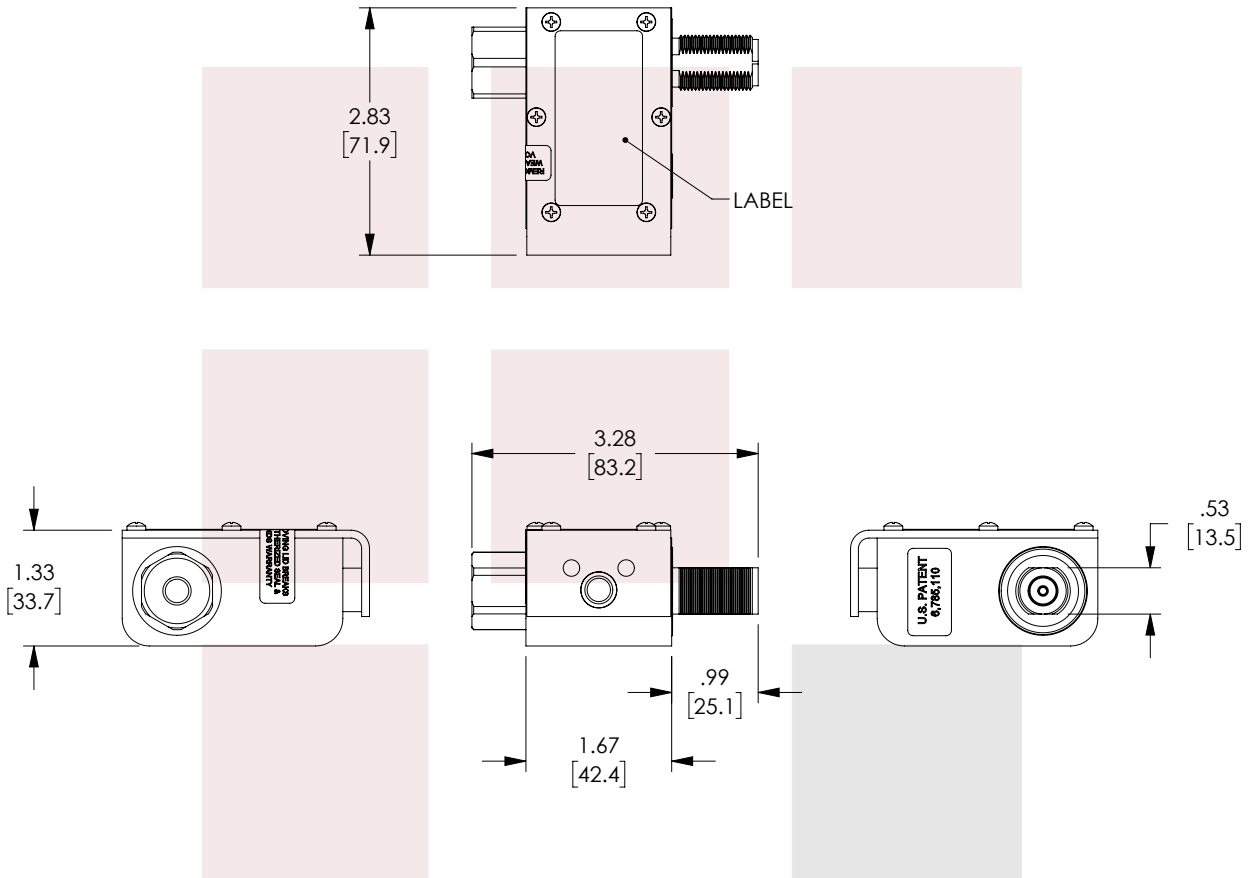
Type N M/F In/Out Coaxial RF Surge Protector, 100MHz - 512MHz, DC Block, 750W, IP67, 20kA, Filter, Bracket Toward Body from Fairview Microwave is in-stock and available to ship same-day. All of our RF/microwave products are available off-the-shelf from our ISO 9001:2008 certified facilities in Allen, Texas. Fairview Microwave is RF on-demand.

For additional information on this product, please click the following link: [Type N M/F In/Out Coaxial RF Surge Protector, 100MHz - 512MHz, DC Block, 750W, IP67, 20kA, Filter, Bracket Toward Body FMSP1036](#)

URL: <https://www.fairviewmicrowave.com/type-n-surge-protector-512mhz-filter-fmsp1036-p.aspx>

The information contained in this document is accurate to the best of our knowledge and representative of the part described herein. It may be necessary to make modifications to the part and/or the documentation of the part, in order to implement improvements. Fairview Microwave reserves the right to make such changes as required. Unless otherwise stated, all specifications are nominal. Fairview Microwave does not make any representation or warranty regarding the suitability of the part described herein for any particular purpose, and Fairview Microwave does not assume any liability arising out of the use of any part or documentation.





STANDARD TOLERANCES	
.X	±0.2
.XX	±0.01
.XXX	±0.005

*STANDARD TOLERANCES APPLY ONLY TO DIMENSIONS IN INCHES

NOTES:

1. HARDWARE INCLUDED.

REGULATORY COMPLIANCE:
 CE2011/65/EU(RoHS DIRECTIVE)

<p>Fairview Microwave RF COMPONENTS ON DEMAND. <i>Done!</i></p>	<p>NOTES: 1. UNLESS OTHERWISE SPECIFIED ALL DIMENSIONS ARE NOMINAL. 2. ALL SPECIFICATIONS ARE SUBJECT TO CHANGE WITHOUT NOTICE AT ANY TIME. 3. DIMENSIONS ARE IN INCHES [mm].</p>						
	<p>TITLE Type N M/F In/Out Coaxial RF Surge Protector, 100MHz - 512MHz, DC Block, 750W, IP67, 20kA, Filter, Bracket Toward Body</p>			<p>DWG NO FMSP1036</p>		<p>CAGE CODE 3FKR5</p>	
	<p>CAD FILE 3/8/18</p>	<p>SHEET 1 OF 1</p>	<p>SCALE N/A</p>	<p>SIZE A</p>	<p>NADF</p>		