

### Type N F/F In/Out Coaxial RF Surge Protector, 125MHz - 1GHz, DC Block, 375W, None, 50kA, Blocking Cap and Gas Tube

RF surge protector (also known as lightning arrester) FMSP1021 from Fairview Microwave utilizing a proprietary surge protection technology protects critical hardware from lightening events while maintaining the RF performance. This RF surge protector component is manufactured in a coaxial in-line design with wide operating frequency range. Optional weather proofing kit and copper cleaning kit are available for purchase separately. All Fairview Microwave RF surge protector products are available in stock with same day shipping.

#### Electrical Specifications

Description	Surge Protector Type		Blocking Cap and Gas Tube		Units
	Min	Typ	Max		
Frequency Range	125		1,000		MHz
Impedance		50			Ohms
VSWR			1.1:1		
Insertion Loss			0.1		dB
Input Power, CW			375		Watts
375W @ 125 to 220MHz					
125W @ 220 to 700MHz					
50W @ 700 to 1000MHz					
Surge Current			50		kA
IEC 61000-4-5 8/20µs WAVEFORM 500J					
Turn On Voltage		600 ±20%			Volts
Throughput Energy			220		µJ
@ 3kA, 8/20µs WAVEFORM					

#### Mechanical Specifications

Weight 0.366 lbs [166.01 g]

#### Configuration

Input Connector N Female  
Output Connector N Female

#### Environmental Specifications

##### Temperature

Operating Range -50 to +50 deg C  
Storage Range -55 to +85 deg C

Ingress Protection (IP) Rating None

**Compliance Certifications** (see [product page](#) for current document)

#### Plotted and Other Data

Notes:



#### Features:

- Surge current of 50kA
- Max Power 375W
- Frequency range from 125 MHz to 1000 MHz
- N Female to N Female connectors
- VSWR <1.1:1
- Multi-strike capability
- CE & RoHS compliant

#### Applications:

- HF, UHF and VHF radios
- Ham radios
- Remote industrial monitoring

Fairview Microwave  
301 Leora Ln., Suite 100  
Lewisville, TX 75056  
Tel: 1-800-715-4396 / (972) 649-6678  
Fax: (972) 649-6689  
[www.fairviewmicrowave.com](http://www.fairviewmicrowave.com)  
[sales@fairviewmicrowave.com](mailto:sales@fairviewmicrowave.com)

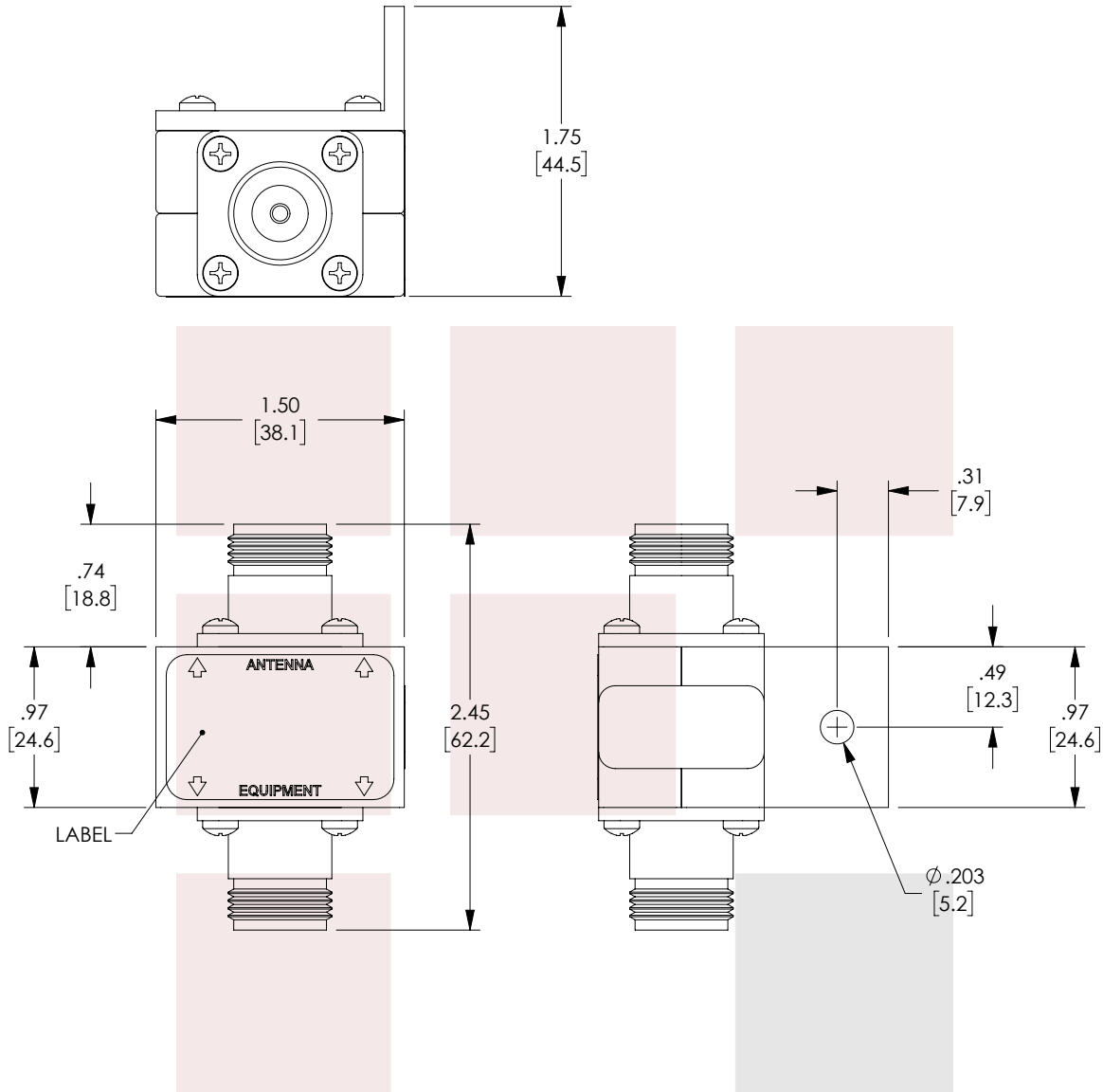
Type N F/F In/Out Coaxial RF Surge Protector, 125MHz - 1GHz, DC Block, 375W, None, 50kA, Blocking Cap and Gas Tube from Fairview Microwave is in-stock and available to ship same-day. All of our RF/microwave products are available off-the-shelf from our ISO 9001:2008 certified facilities in Lewisville, Texas. Fairview Microwave is RF on-demand.

For additional information on this product, please click the following link: [Type N F/F In/Out Coaxial RF Surge Protector, 125MHz - 1GHz, DC Block, 375W, None, 50kA, Blocking Cap and Gas Tube FMSP1021](#)

URL: <https://www.fairviewmicrowave.com/type-n-surge-protector-1ghz-blocking-cap-gas-tube-fmsp1021-p.aspx>

The information contained in this document is accurate to the best of our knowledge and representative of the part described herein. It may be necessary to make modifications to the part and/or the documentation of the part, in order to implement improvements. Fairview Microwave reserves the right to make such changes as required. Unless otherwise stated, all specifications are nominal. Fairview Microwave does not make any representation or warranty regarding the suitability of the part described herein for any particular purpose, and Fairview Microwave does not assume any liability arising out of the use of any part or documentation.





**STANDARD TOLERANCES**


- .X ±0.2
- .XX ±0.01
- .XXX ±0.005

\*STANDARD TOLERANCES APPLY ONLY TO DIMENSIONS IN INCHES

**NOTES:**

HARDWARE INCLUDED.

**REGULATORY COMPLIANCE:**  
CE2011/65/EU(RoHS DIRECTIVE)

		NOTES: 1. UNLESS OTHERWISE SPECIFIED ALL DIMENSIONS ARE NOMINAL. 2. ALL SPECIFICATIONS ARE SUBJECT TO CHANGE WITHOUT NOTICE AT ANY TIME. 3. DIMENSIONS ARE IN INCHES [mm].			
TITLE Type N F/F In/Out Coaxial RF Surge Protector, 125MHz - 1GHz, DC Block, 375W, None, 50kA, Blocking Cap and Gas Tube		DWG NO FMSP1021		CAGE CODE 3FKR5	
CAD FILE	3/9/18	SHEET	1 OF 1	SCALE	N/A
		SIZE	A	XXXX	