

3.5mm Female Short Calibration Kit Component for Precision Up to 26.5 GHz

3.5mm female short calibration kit component, part number FMSC3014, from Fairview Microwave is in-stock and ships same day. This 3.5mm precision short circuit can be used for calibration of most vector network analyzers (VNA), cable analyzers or site analyzers. Coefficients for this 3.5mm short calibrating component are provided in the datasheet. These can be entered into most VNAs to provide the necessary corrections, thereby allowing replacement of misplaced or damaged calibration components. Precision control of the impedance and electrical length allow for OSLT analyzer calibrations over the complete frequency range of the connector interface provided.

Fairview's 3.5mm short circuit calibration component FMSC3014 datasheet specifications and outline drawing are shown in this PDF below. Our extensive offering for RF, microwave and millimeter wave components allows designers to configure and customize their test solutions however they like. From calibration kit replacement to SOLT / OSLT VNA calibration, Fairview Microwave has the right calibration kit components to meet your needs and ship them same-day.



Features:

- Controlled Impedance
- Published Calibration Coefficients
- Replaces Damaged Calibrating Kit Components
- Controlled Electrical Length
- Precision Interfaces
- In Stock and Ready to Ship

Electrical Specifications

Description	Min	Typ	Max	Units
Frequency Range	DC		26.5	GHz
Impedance		50		Ohms
Phase Accuracy			±2	deg
Offset Loss		1.3		GOhm/s
Electrical Delay		16.684		ps
Inductance				
L0		0		10 ⁻¹² H
L1		0		10 ⁻²⁴ H/Hz
L2		0		10 ⁻³³ H/Hz ²
L3		0		10 ⁻⁴² H/Hz ³

Applications:

- SOLT or OSLT Calibration
- VNA Calibration
- Device Characterization
- De-embedding
- Replacement Calibration Kits

Mechanical Specifications

Size	
Length	0.873 in [22.17 mm]
Width/Diameter	0.5 in [12.7 mm]
Pin Depth	0 to 0.003 in
Connector 1	
Connector Type	3.5mm Female
Body Material and Plating	Beryllium Copper, Gold

Connector 2

Environmental Specifications

Fairview Microwave
 301 Leora Ln., Suite 100
 Lewisville, TX 75056
 Tel: 1-800-715-4396 / (972) 649-6678
 Fax: (972) 649-6689
www.fairviewmicrowave.com
sales@fairviewmicrowave.com

Compliance Certifications (see [product page](#) for current document)

Plotted and Other Data

Notes:

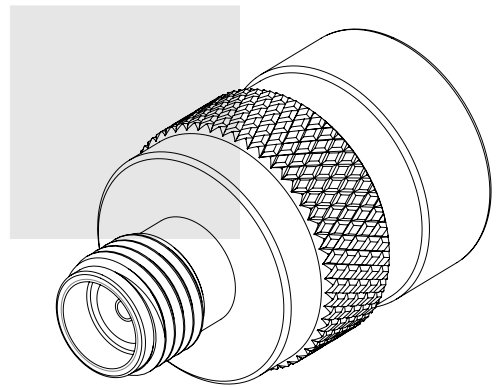
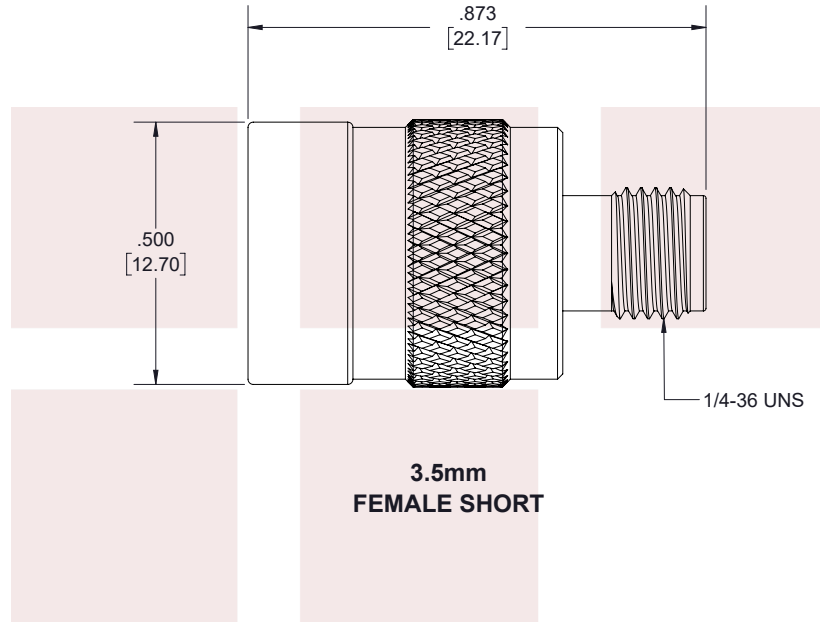
- Values at +25 °C, sea level

3.5mm Female Short Calibration Kit Component for Precision Up to 26.5 GHz from Fairview Microwave is in-stock and available to ship same-day. All of our RF/microwave products are available off-the-shelf from our ISO 9001:2008 certified facilities in Allen, Texas. Fairview Microwave is RF on-demand.

For additional information on this product, please click the following link: [3.5mm Female Short Calibration Kit Component for Precision Up to 26.5 GHz FMSC3014](#)


URL: <https://www.fairviewmicrowave.com/3.5mm-female-calibration-kit-component-short-26.5-ghz-fm3014-p.aspx>

The information contained in this document is accurate to the best of our knowledge and representative of the part described herein. It may be necessary to make modifications to the part and/or the documentation of the part, in order to implement improvements. Fairview Microwave reserves the right to make such changes as required. Unless otherwise stated, all specifications are nominal. Fairview Microwave does not make any representation or warranty regarding the suitability of the part described herein for any particular purpose, and Fairview Microwave does not assume any liability arising out of the use of any part or documentation.



STANDARD TOLERANCES	
.X	±0.2
.XX	±0.01
.XXX	±0.005

*STANDARD TOLERANCES APPLY ONLY TO DIMENSIONS IN INCHES

 <p>Fairview Microwave RF COMPONENTS ON DEMAND. <i>Done!</i></p>	NOTES: 1. UNLESS OTHERWISE SPECIFIED ALL DIMENSIONS ARE NOMINAL. 2. ALL SPECIFICATIONS ARE SUBJECT TO CHANGE WITHOUT NOTICE AT ANY TIME. 3. DIMENSIONS ARE IN INCHES [mm].							
	DWG NO FMSC3014			CAGE CODE 3FKR5				
	CAD FILE	11/08/18	SHEET	1 OF 1	SCALE	N/A	SIZE	A