

3.5mm Thru Calibration Kit Component for General Purpose Up to 26.5 GHz

The new FMSC3000 from Fairview Microwave is designed to withstand daily use in high-traffic environments such as in the testing lab or on the production floor. This cost effective calibration kit component provides reliable and accurate instrument tuning for all of your test and measurement requirements. Fairview Microwave carries a broad selection of off-the-shelf calibration kits and T&M components all of which ship the same day you order them.

Configuration

Connector	3.5mm
Component Type	Thru
Impedance	50 Ohms
Frequency Range	DC to 26.5 GHz

Electrical Specifications

Description	Minimum	Typical	Maximum	Units
Frequency Range	DC - 26.5			GHz
Impedance	50			Ohm
Insertion Loss, DC - 26.5 GHz		0.1	0.2	dB
Return Loss, DC - 8 GHz	30	34		dB
Return Loss, 8 - 18 GHz	28	32		dB
Return Loss, 18 - 26.5 GHz	26	30		dB

Mechanical Specifications

Item	Description	Units
Housing	Gold plated Copper	
Center Pin	Gold plated Beryllium	
Connector	50 Ohm 3.5mm Female (Both Ends)	
Connector Screw Thread	1/4"-36 UNS	Inch
Dimensions	0.335 [8.5] ϕ , 1.182 [30] L	Inch [mm]
Net Weight	8	g



Features:

- Functional from DC to 26.5 GHz
- See FMCK1000 for full standard kit which includes (9) 3.5mm short-open-load-thru (SOLT) components
- Suitable for many 50 Ohm network analyzers including, but not limited to:
- Agilent / HP (N5222A/24A, N5225A/27A, N5232A, N5234A/35A, N5242A/44A, N5245/47A)
- Rohde & Schwarz (ZVB, ZNB)
- Anritsu (MS2038C, MS2028C, MS2027C, MS4640B)

Applications:

- VNA, Full 2-Port CAL
- VNA, Thru CAL
- VNA, Substitution CAL Method
- Test & Measurement
- Lab Equipment Accessories
- Engineering Test and Evaluation
- General Purpose Test and Evaluation

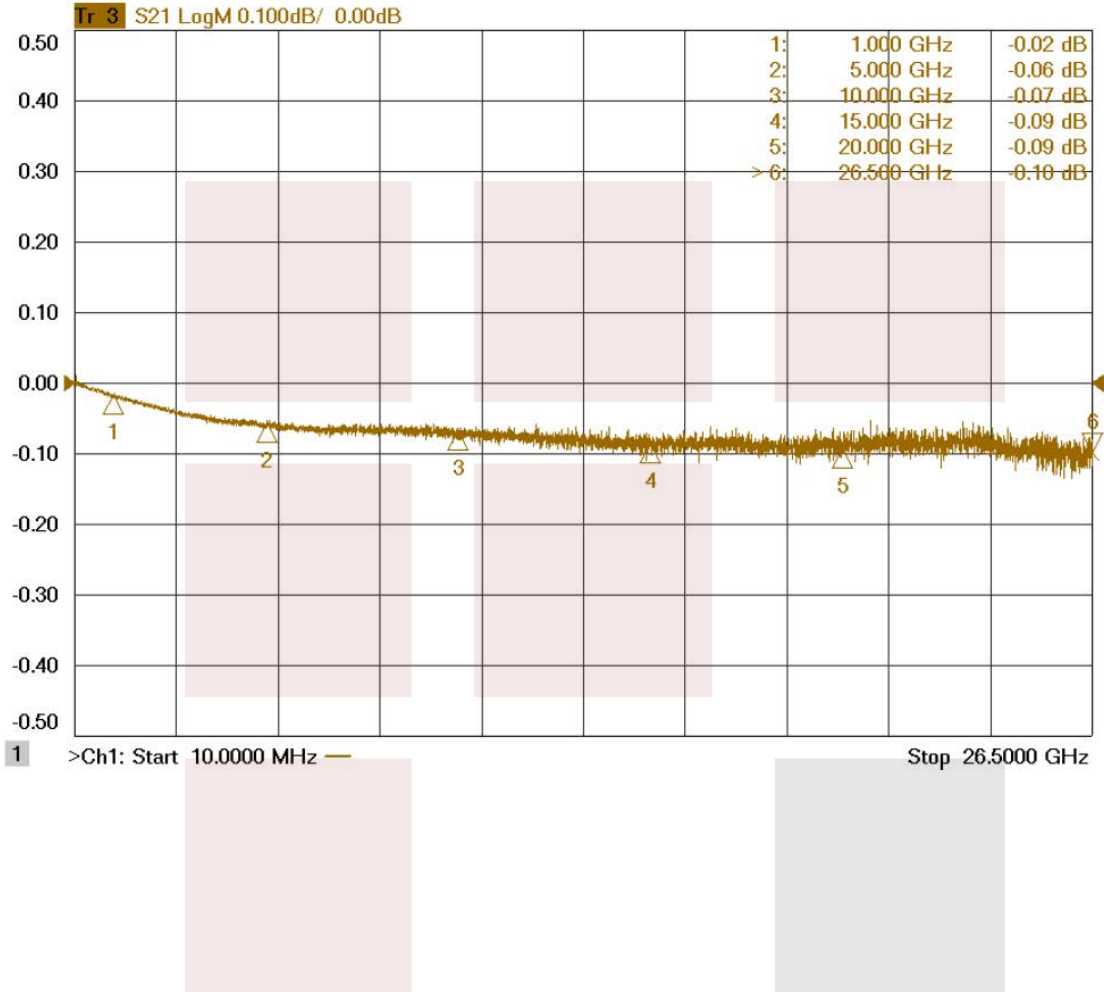
Fairview Microwave
 1130 Junction Dr. #100
 Allen, TX 75013
 Tel: 1-800-715-4396 / (972) 649-6678
 Fax: (972) 649-6689
www.fairviewmicrowave.com
sales@fairviewmicrowave.com

General Instructions and Usage Notes

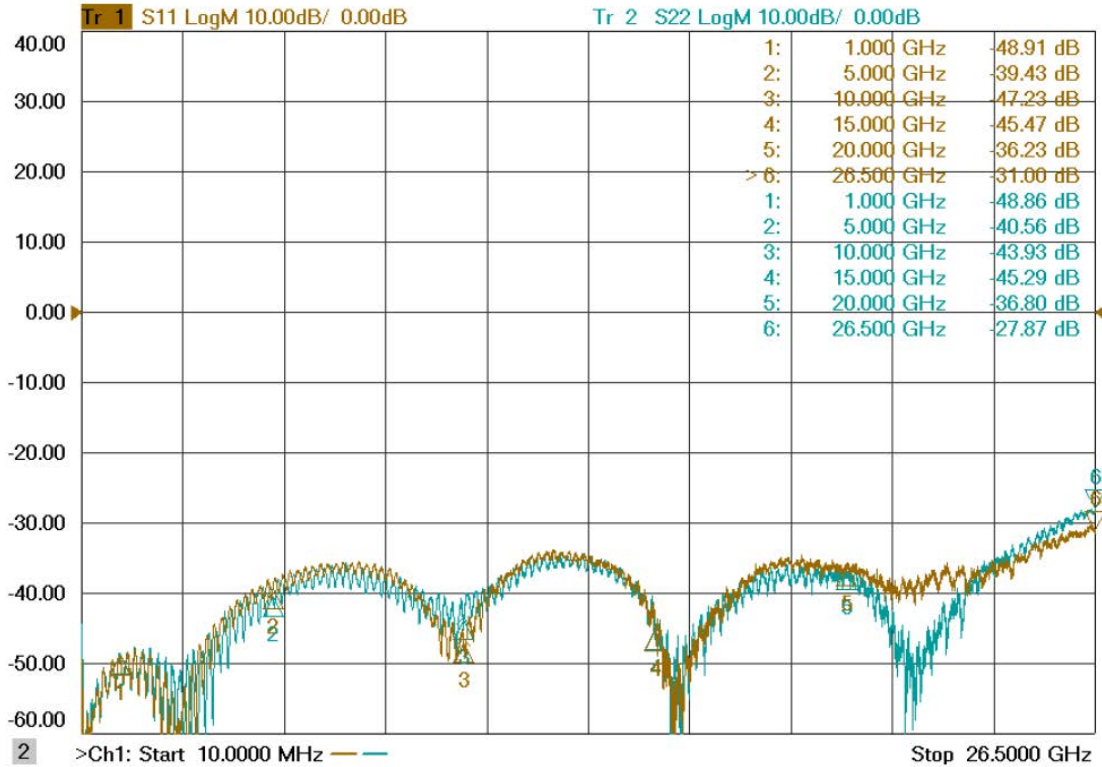
#	Notes
1	Keep provided protective red caps installed when not in use.
2	Store in climate controlled environment.
3	Always keep connectors clean.
4	Avoid touching the connector interface.
5	Use caution when handling.
6	For female components, do not insert male pin greater than 0.037" [.94 mm]. Failure to comply will result in damage to the female connector.
7	When mating, always ensure that the components to be interconnected remain in a fixed position while rotating only the coupling nut slowly to mate the connectors.
8	When de-mating, always ensure that the interconnected components remain in a fixed position while rotating only the coupling nut slowly to de-mate the connectors.
9	Visually inspect the connector threads prior to use. If needed, clean the center conductor pin and outer conductor with alcohol to remove any debris that may be present. Be sure to apply the alcohol in a circular motion with a lint-free cloth or applicator.
10	Use at room temperature.
11	Torque wrench provided is intended for 3.5mm connector types and is calibrated to 8 in-lbs.

Typical Performance Data

FMSC3000 Insertion Loss
Span: 26.5 GHz



FMSC3000 Return Loss
Span: 26.5 GHz



Compliance Certifications (visit www.FairviewMicrowave.com for current document)

RoHS Compliant Yes
 REACH Compliant 06/16/2014

Plotted and Other Data

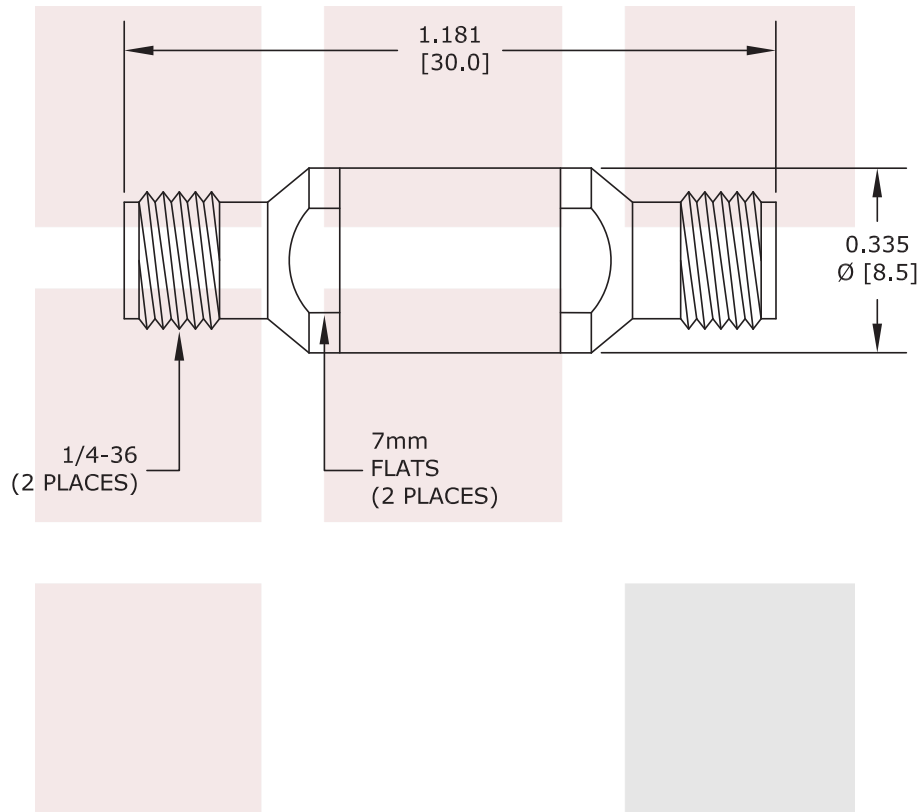
- Notes:
- Values at 25 °C, sea level

3.5mm Thru Calibration Kit Component for General Purpose Up to 26.5 GHz from Fairview Microwave is in-stock and available to ship same-day. All of our RF/microwave products are available off-the-shelf from our ISO 9001:2008 certified facilities in Allen, Texas. Fairview Microwave is RF on-demand.

For additional information on this product, please click the following link: [3.5mm Thru Calibration Kit Component for General Purpose Up to 26.5 GHz FMSC3000](http://www.fairviewmicrowave.com/50ohm-3.5mm-calibration-kit-component-thru-26.5-ghz-fmsc3000-p.aspx)

URL: <http://www.fairviewmicrowave.com/50ohm-3.5mm-calibration-kit-component-thru-26.5-ghz-fmsc3000-p.aspx>

The information contained in this document is accurate to the best of our knowledge and representative of the part described herein. It may be necessary to make modifications to the part and/or the documentation of the part, in order to implement improvements. Fairview Microwave reserves the right to make such changes as required. Unless otherwise stated, all specifications are nominal. Fairview Microwave does not make any representation or warranty regarding the suitability of the part described herein for any particular purpose, and Fairview Microwave does not assume any liability arising out of the use of any part or documentation.



FAIRVIEW MICROWAVE INC. ALLEN, TX 75013 WWW.FAIRVIEWMICROWAVE.COM		NOTES: 1. UNLESS OTHERWISE SPECIFIED ALL DIMENSIONS ARE NOMINAL. 2. ALL SPECIFICATIONS ARE SUBJECT TO CHANGE WITHOUT NOTICE AT ANY TIME. 3. DIMENSIONS ARE IN INCHES [mm].			
TITLE 3.5mm Thru Calibration Kit Component for General Purpose Up to 26.5 GHz	DWG NO	FMSC3000		CAGE CODE 3FKR5	
	CAD FILE	012815	SHEET	SCALE	N/A SIZE A 2233