

Casting Heavy Duty 4-way Ratchet Marine mount with Standard 1"-14 male threads for marine antenna

The Fairview FMMARRM02 dual swivel ratchet style antenna mount is offered for marine and omnidirectional antennas. This marine antenna mount is constructed of anti-corrosion stainless steel with a mirror polish. Our heavy-duty mount is ideal for marine communication, fishing, navigation, entertainment, and emergency services.

The working temperature range for our dual swivel ratchet-style installation is -40 to 80 degrees Celsius. The FMMARRM02 marine antenna mount from Fairview is available in 8-inch length, 2.52-inch width, and 5.5-inch height. This antenna mount has a flat base fixture and 1"-14 male threads, making it suited for use with search and rescue equipment, satellite TV, radio systems, radar, sonar, depth finders, VHF, GPS, satellite phones, fish finders, and sonar-based equipment applications.

Fairview has one of the largest in-stock selections of marine grade dual swivel ratchet style antenna mounts for international and domestic orders. Make your online purchase right now to take advantage of our same-day shipping. For further information on similar products, our expert technical support and knowledgeable sales team can help you get the perfect stainless steel marine antenna mount for your requirements.

Mechanical Specifications

Size	
Length	8 in [203.2 mm]
Width	2.52 in [64.01 mm]
Height	5.5 in [139.7 mm]
Weight	1.32 lbs [598.74 g]

Environmental Specifications

Operating Temperature, Min	-40 deg C
Operating Temperature, Max	80 deg C
Material	Stainless Steel

Casting Heavy Duty 4-way Ratchet Marine mount with Standard 1"-14 male threads for marine antenna from Fairview Microwave is in-stock and available to ship same-day. All of our RF/microwave products are available off-the-shelf from our ISO 9001:2008 certified facilities in Lewisville, Texas. Fairview Microwave is RF on-demand.

For additional information on this product, please click the following link: [Casting Heavy Duty 4-way Ratchet Marine mount with Standard 1"-14 male threads for marine antenna](#)

URL:

The information contained in this document is accurate to the best of our knowledge and representative of the part described herein. It may be necessary to make modifications to the part and/or the documentation of the part, in order to implement improvements. Fairview Microwave reserves the right to make such changes as required. Unless otherwise stated, all specifications are nominal. Fairview Microwave does not make any representation or warranty regarding the suitability of the part described herein for any particular purpose, and Fairview Microwave does not assume any liability arising out of the use of any part or documentation.



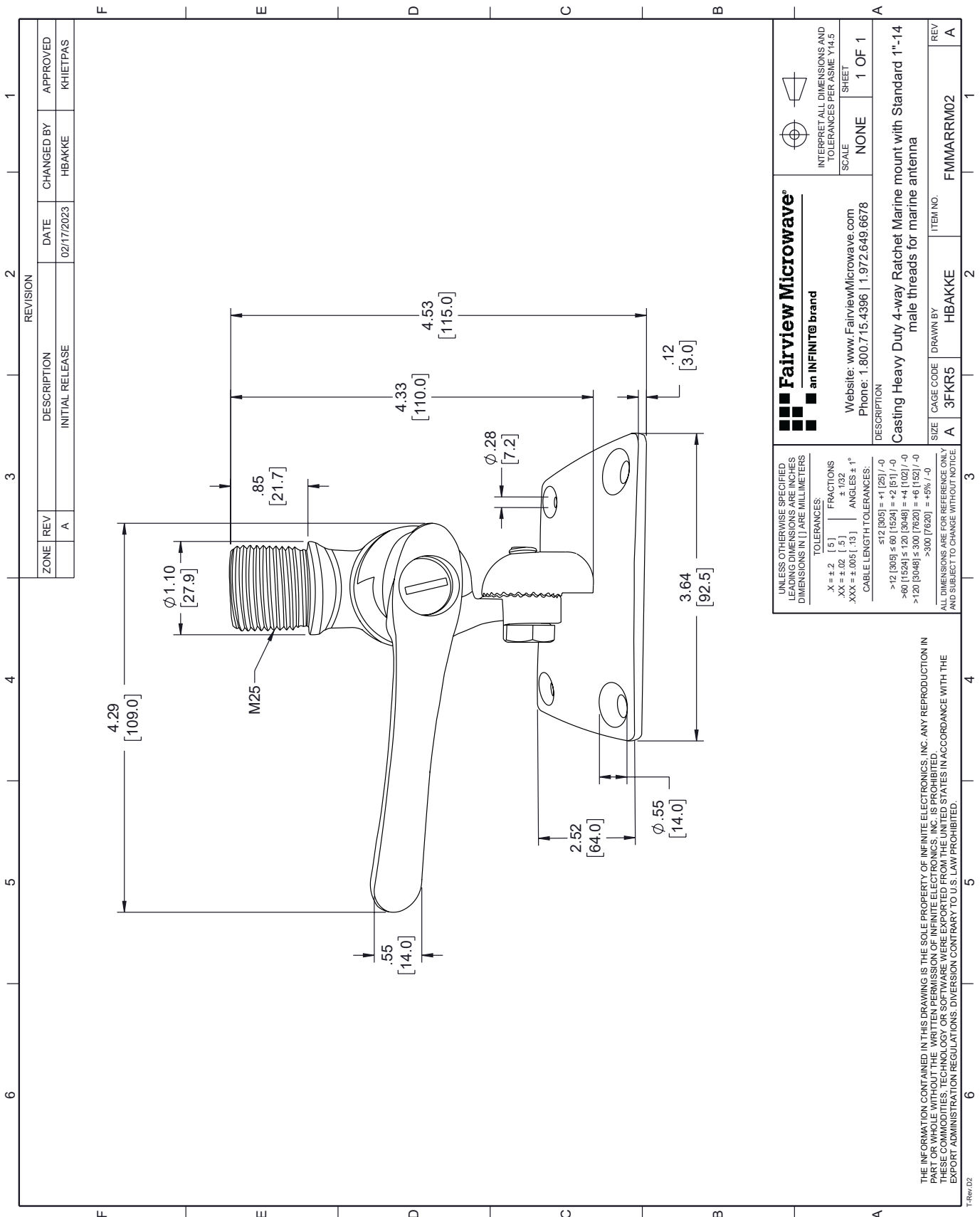
Features:

- Stainless steel marine grade mount
- Dual swivel ratchet style
- 1"-14 male threaded
- Heavy duty
- Mirror polish
- Anti corrosion material
- Flat base fixture

Applications:

- Marine antenna mounts
- Marine communication: VHF, GPS, satellite phones
- Navigation: Radar, sonar, depth finders
- Fishing: Fish finders, sonar-based equipment
- Entertainment: Satellite TV, radio systems
- Emergency services: Search and rescue operations

Fairview Microwave
301 Leora Ln., Suite 100
Lewisville, TX 75056
Tel: 1-800-715-4396 / (972) 649-6678
Fax: (972) 649-6689
www.fairviewmicrowave.com
sales@fairviewmicrowave.com



ZONE		REVISION		DATE		APPROVED	
REV	DESCRIPTION	INITIAL RELEASE	CHANGED BY	DATE	CHANGED BY	APPROVED	
A			HBAKKE	02/17/2023	HBAKKE	KHIETPAS	

Fairview Microwave® an INFINITE brand		INTERPRET ALL DIMENSIONS AND TOLERANCES PER ASME Y14.5 SCALE: NONE SHEET: 1 OF 1	
Website: www.FairviewMicrowave.com Phone: 1.800.715.4396 1.972.649.6678		DESCRIPTION: Casting Heavy Duty 4-way Ratchet Marine mount with Standard 1"-14 male threads for marine antenna	
SIZE: A	CAGE CODE: 3FKR5	DRAWN BY: HBAKKE	ITEM NO.: FMMARRM02
ALL DIMENSIONS ARE FOR REFERENCE ONLY AND SUBJECT TO CHANGE WITHOUT NOTICE.			

UNLESS OTHERWISE SPECIFIED, LEADING DIMENSIONS ARE INCHES DIMENSIONS IN [] ARE MILLIMETERS

TOLERANCES:

.X ± .2	[5]	FRACTIONS	± 1/32
.XX ± .02	[.5]	ANGLES ± 1°	
.XXX ± .005	[.13]		

CABLE LENGTH TOLERANCES:

≤ 12 [305]	± .125 [-0]
> 12 [305] ≤ 60 [1524]	± .25 [-0]
> 60 [1524] ≤ 120 [3048]	± .5 [-0]
> 120 [3048] ≤ 300 [7620]	± 1 [-0]
> 300 [7620]	± 2 [-0]

THE INFORMATION CONTAINED IN THIS DRAWING IS THE SOLE PROPERTY OF INFINITE ELECTRONICS, INC. ANY REPRODUCTION IN PART OR WHOLE WITHOUT THE WRITTEN PERMISSION OF INFINITE ELECTRONICS, INC. IS PROHIBITED. THESE COMMODITIES, TECHNOLOGY OR SOFTWARE WERE EXPORTED FROM THE UNITED STATES IN ACCORDANCE WITH THE EXPORT ADMINISTRATION REGULATIONS. DIVERSION CONTRARY TO U.S. LAW PROHIBITED.

T-Rev D2