

**SMA Limiter 5 W CW Power, 15 us Recovery, with 14 dBm Flat Leakage, Operating from 2 GHz to 18 GHz**

The FMLM2006 is a Signal Limiter that operates in the 2 GHz to 18 GHz frequency range. The Limiter has up to 5 Watts CW input power handling capability with a +14 dBm max leakage output power level. Typical performance includes 2.5 dB typ insertion loss, 2:1 typical input VSWR, and a fast response and short recovery time of 15 μsec. The excellent technical performance is achieved through the use of thin film stripline circuit construction. The low profile pin package supports field replaceable SMA connectors and can be drop mounted onto a PWB. The Limiter is designed for high reliability and meets MIL-STD-202F environmental test conditions for Humidity, Shock, Vibration, and Altitude.



**Electrical Specifications**

Description	Min	Typ	Max	Unit
Frequency Range	2		18	GHz
Insertion Loss		2.5		dB
Input VSWR		2:1		
Leakage (CW)			+14	dBm
Recovery Time		15		us
Input Power (CW)			5	Watt
Limiting Threshold		+6		dBm

**Mechanical Specifications**

**Size**

Weight 0.037 lbs [16.78 g]

**Configuration**

Style PIN-PIN Limiter  
 Package Style Connectorized  
 Connector 1 SMA Male  
 Connector 2 SMA Female  
 Connector Option Field Replaceable

**Environmental Specifications**

**Temperature**

Operating Range 0 to +50 deg C  
 Storage Range -45 to +100 deg C

**Features:**

- 5 Watt Input Power(CW)
- 2 GHz to 18 GHz Frequency Range
- 2.5 dB Insertion Loss max.
- VSWR 2:1
- Leakage @ 1 Watt CW +14 dBm Max
- Limiting Threshold +6 dBm
- Field Replaceable SMA Connectors
- Fast Response and Short Recovery Time 15 μs typical
- Compact and Rugged Thin Film Construction

**Applications:**

- Electronic Warfare
- Test & Measurement
- Military & Space
- Military Communication Systems
- Stabilizing generator outputs
- Reducing amplitude variations
- Protects low noise amplifiers and other devices from ESD or input power damage
- Receiver Protection
- Weapon systems

Fairview Microwave  
 301 Leora Ln., Suite 100  
 Lewisville, TX 75056  
 Tel: 1-800-715-4396 / (972) 649-6678  
 Fax: (972) 649-6689  
[www.fairviewmicrowave.com](http://www.fairviewmicrowave.com)  
[sales@fairviewmicrowave.com](mailto:sales@fairviewmicrowave.com)

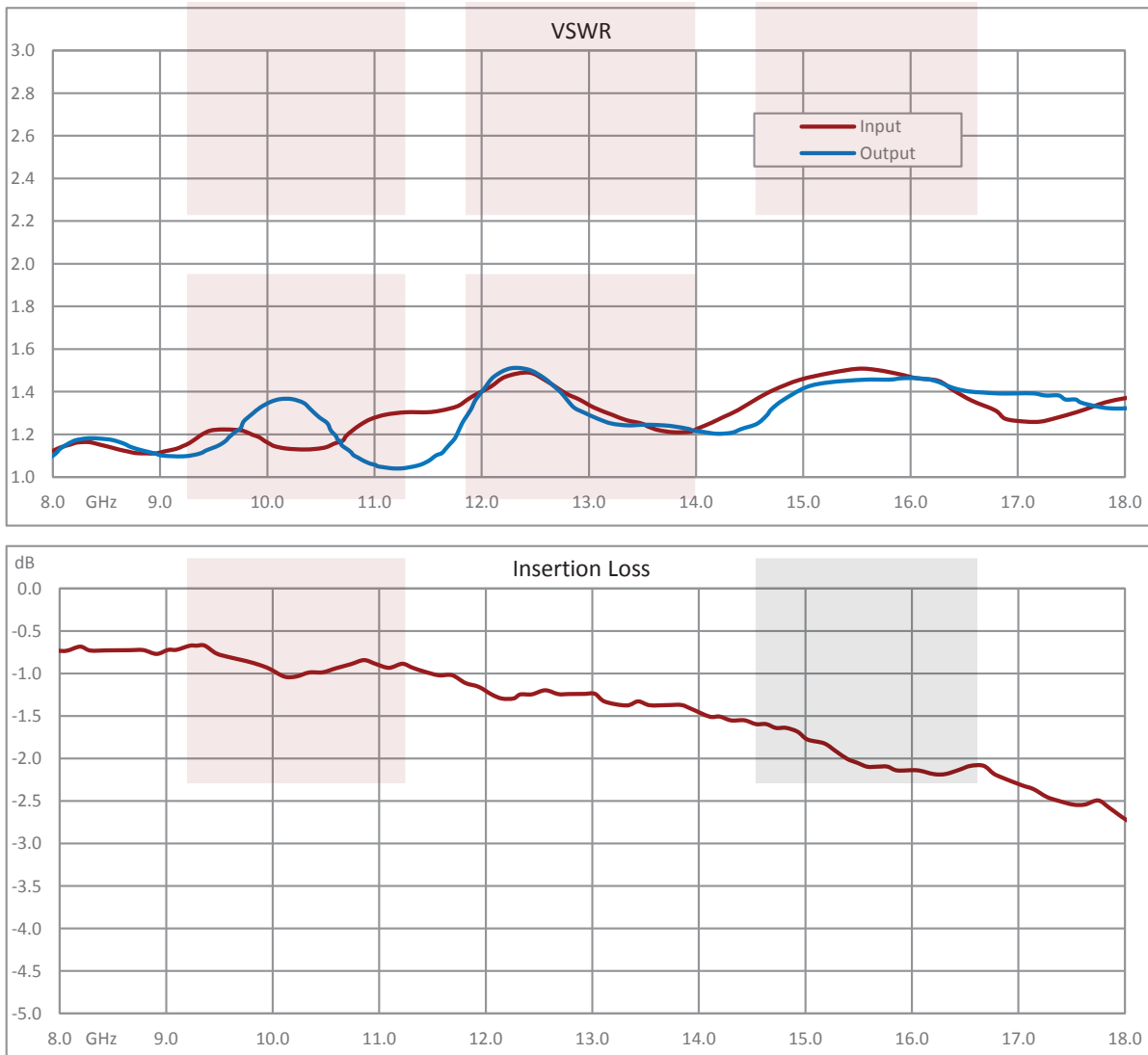
Humidity	MIL-STD-202F, Method 103B, Condition B
Shock	MIL-STD-202F, Method 213B, Condition B
Vibration	MIL-STD-202F, Method 204D, Condition B
Altitude	MIL-STD-202F, Method 105C, Condition B

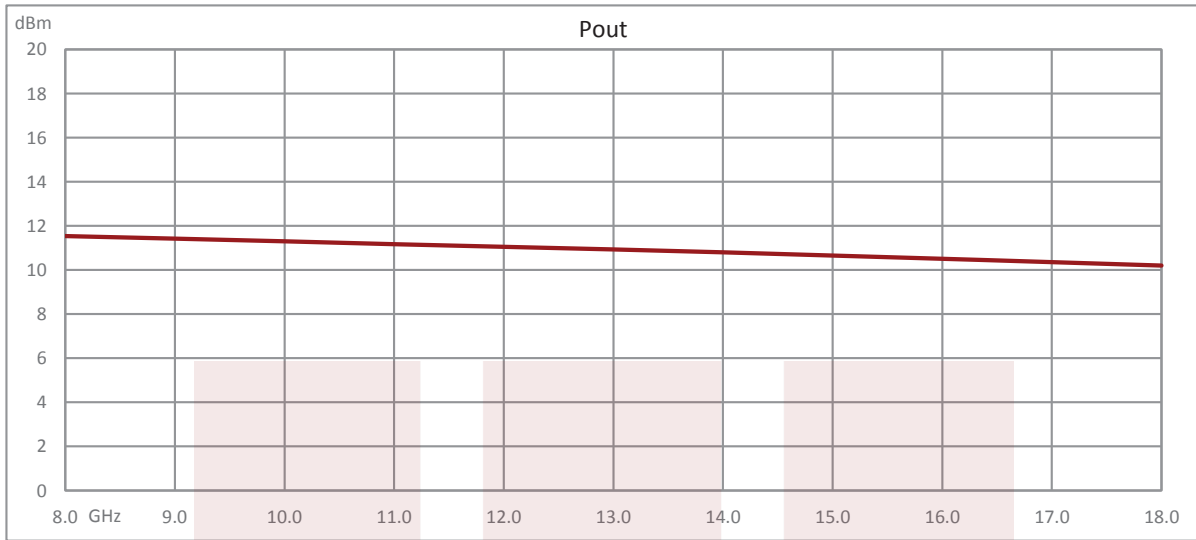
**Compliance Certifications** (see [product page](#) for current document)  
 DFARS Compliant 01/12/2017

**Plotted and Other Data**

Notes:

**Typical Performance Data**



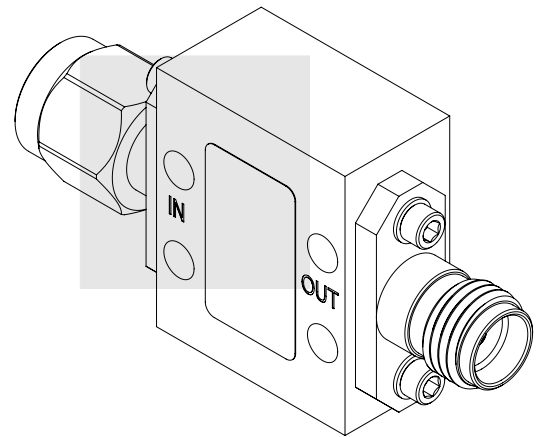
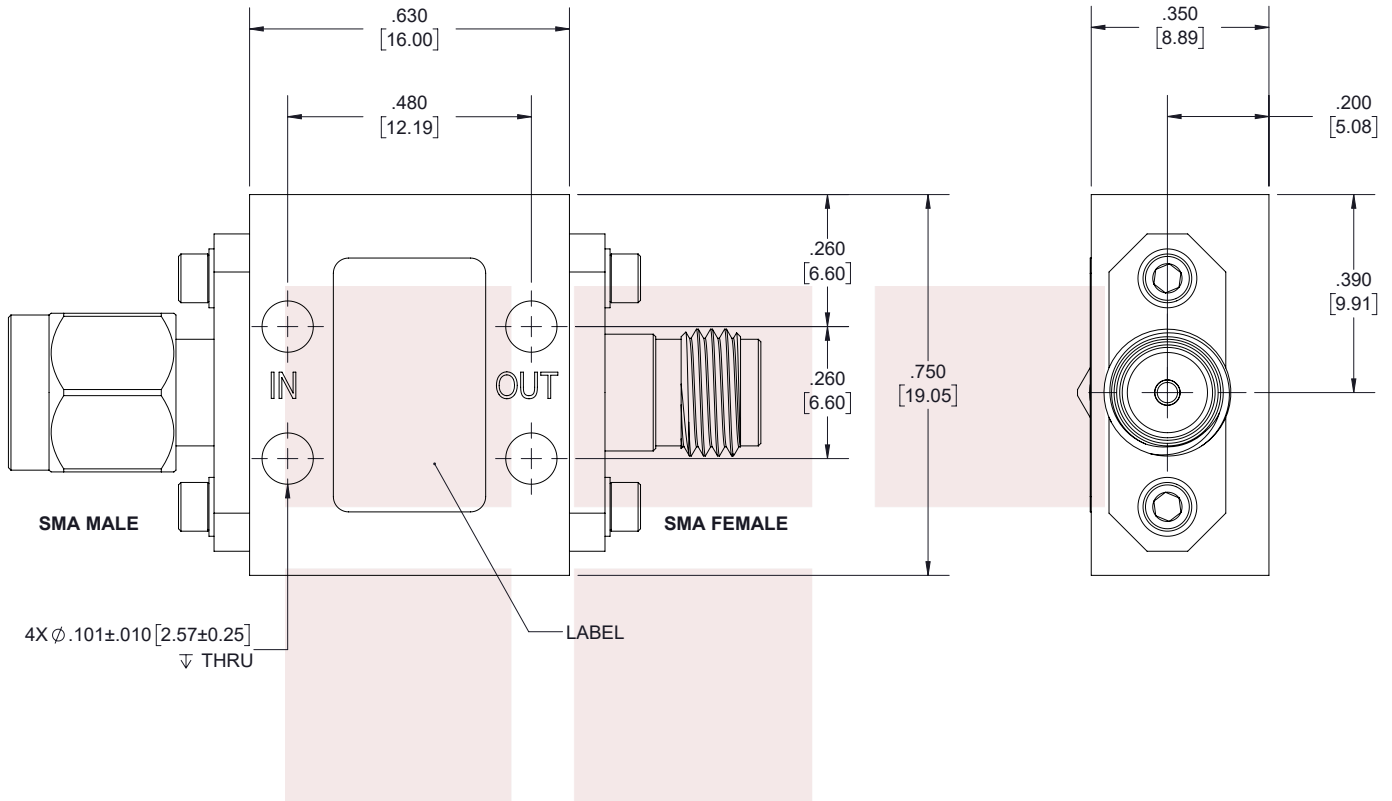


SMA Limiter 5 W CW Power, 15 us Recovery, with 14 dBm Flat Leakage, Operating from 2 GHz to 18 GHz from Fairview Microwave is in-stock and available to ship same-day. All of our RF/microwave products are available off-the-shelf from our ISO 9001:2008 certified facilities in Allen, Texas. Fairview Microwave is RF on-demand.

For additional information on this product, please click the following link: [SMA Limiter 5 W CW Power, 15 us Recovery, with 14 dBm Flat Leakage, Operating from 2 GHz to 18 GHz FMLM2006](#)

URL: <https://www.fairviewmicrowave.com/sma-limiter-pin-15-us-14-dbm-18-ghz-fmlm2006-p.aspx>

The information contained in this document is accurate to the best of our knowledge and representative of the part described herein. It may be necessary to make modifications to the part and/or the documentation of the part, in order to implement improvements. Fairview Microwave reserves the right to make such changes as required. Unless otherwise stated, all specifications are nominal. Fairview Microwave does not make any representation or warranty regarding the suitability of the part described herein for any particular purpose, and Fairview Microwave does not assume any liability arising out of the use of any part or documentation.



LABEL

**Fairview Microwave**  
RF COMPONENTS ON DEMAND. *Done!*  
www.FAIRVIEWMICROWAVE.com  
**FMLM2006**

STANDARD TOLERANCES

.X ±0.2  
.XX ±0.01  
.XXX ±0.005

\*STANDARD TOLERANCES APPLY ONLY TO DIMENSIONS IN INCHES

		NOTES: 1. UNLESS OTHERWISE SPECIFIED ALL DIMENSIONS ARE NOMINAL. 2. ALL SPECIFICATIONS ARE SUBJECT TO CHANGE WITHOUT NOTICE AT ANY TIME. 3. DIMENSIONS ARE IN INCHES [mm].	
TITLE		DWG NO	CAGE CODE
SMA Limiter 5 W CW Power, 15 us Recovery, with 14 dBm Flat Leakage, Operating from 2 GHz to 18 GHz		FMLM2006	3FKR5
CAD FILE	05/09/18	SHEET	1 OF 1
SCALE	N/A	SIZE	A
		7361	