

### 4 Way Power Divider N Interface to 2.7 GHz Rated at 30 Watts

The FMDV1036A is a 4 way Wilkinson Power Divider with N Type Female connectors rated to 30 watt CW.

Fairview Microwave's family of Power Dividers are designed without solder joints and a unique construction allows for exceptional performance within the 698 to 2,700 MHz frequency range. They are offered in a range of output port options to allow flexibility in the design of your DAS system. They can be used indoor or outdoor as they meet the moisture requirements of IP65. They are available in two different connector types: N and Mini DIN 4.1/9.5.

#### Electrical Specifications

Design	Wilkinson			
Number of Output Ports	4			
Description	Min	Typ	Max	Units
Frequency Range	0.698		2.7	GHz
Impedance		50		Ohms
Input VSWR			1.3:1	
Output VSWR			1.3:1	
Insertion Loss			1.4	dB
Isolation	20			dB
Input Power (CW)			30	Watts
Reverse Power (CW)			1	Watt

#### Mechanical Specifications

Weight	1.052 lbs [477.18 g]
Housing Material and Plating	Aluminum, Chem Film
<b>Configuration</b>	
Package Type	Connectorized
Input Connector	N Female
Output Connectors	N Female
Ingress Protection (IP) Rating	IP65

**Compliance Certifications** (see [product page](#) for current document)

#### Plotted and Other Data

Notes:



#### Features:

- 30 watt CW Rating
- 698 to 2,700 MHz
- High Power
- N Type Female Connector
- Mounting Bracket

#### Applications:

- Indoor/Outdoor Use (IP65)
- Base Station
- 4G/LTE/AWS/PCS/PMR/UMTS/TETRA/WiFi/WiMAX
- Distributed Antenna Systems (DAS)
- Wireless Infrastructure

Fairview Microwave  
301 Leora Ln., Suite 100  
Lewisville, TX 75056  
Tel: 1-800-715-4396 / (972) 649-6678  
Fax: (972) 649-6689  
[www.fairviewmicrowave.com](http://www.fairviewmicrowave.com)  
[sales@fairviewmicrowave.com](mailto:sales@fairviewmicrowave.com)

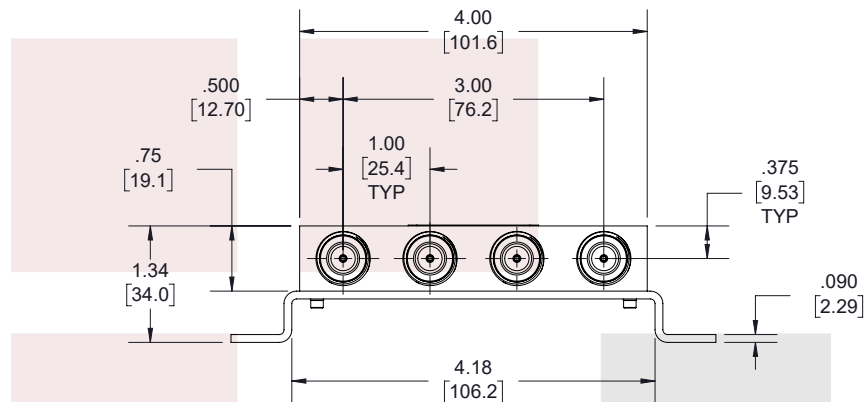
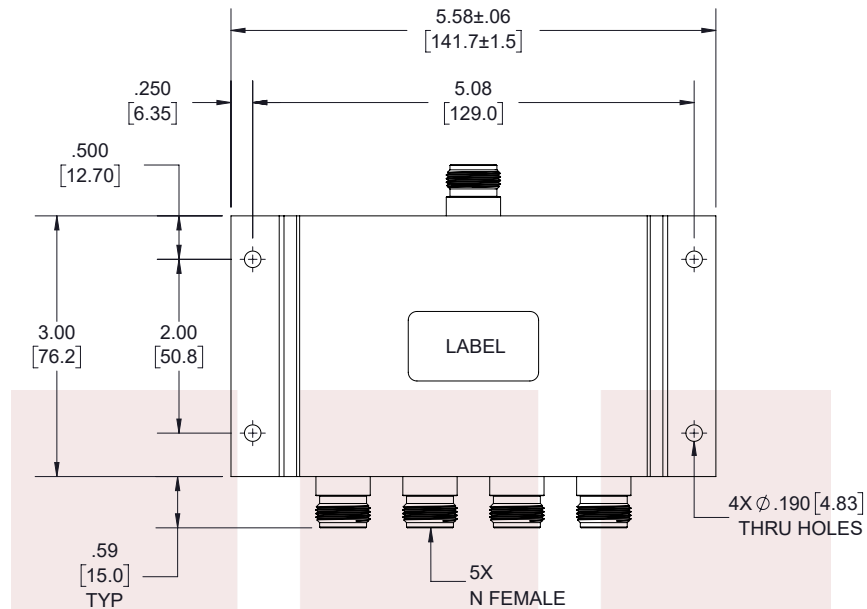
4 Way Power Divider N Interface to 2.7 GHz Rated at 30 Watts from Fairview Microwave is in-stock and available to ship same-day. All of our RF/microwave products are available off-the-shelf from our ISO 9001:2008 certified facilities in Allen, Texas. Fairview Microwave is RF on-demand.

For additional information on this product, please click the following link: [4 Way Power Divider N Interface to 2.7 GHz Rated at 30 Watts FMDV1036A](#)

URL: <https://www.fairviewmicrowave.com/4-way-power-divider-n-2.7-ghz-fmdv1036a-p.aspx>

The information contained in this document is accurate to the best of our knowledge and representative of the part described herein. It may be necessary to make modifications to the part and/or the documentation of the part, in order to implement improvements. Fairview Microwave reserves the right to make such changes as required. Unless otherwise stated, all specifications are nominal. Fairview Microwave does not make any representation or warranty regarding the suitability of the part described herein for any particular purpose, and Fairview Microwave does not assume any liability arising out of the use of any part or documentation.



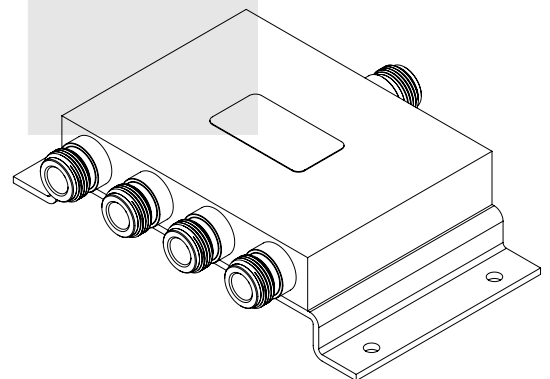



**LABEL**

**INPUT**  
 Fairview Microwave  
 an INFINIT<sup>®</sup> brand  
**FMDV1036A**  
 D/C: XXY  
**OUTPUT(s)**

**STANDARD TOLERANCES**  
 .X ±0.2  
 .XX ±0.01  
 .XXX ±0.005

\*STANDARD TOLERANCES APPLY ONLY TO DIMENSIONS IN INCHES



 <b>Fairview Microwave</b> <b>RF COMPONENTS ON DEMAND. Done!</b>	<b>NOTES:</b> 1. UNLESS OTHERWISE SPECIFIED ALL DIMENSIONS ARE NOMINAL. 2. ALL SPECIFICATIONS ARE SUBJECT TO CHANGE WITHOUT NOTICE AT ANY TIME. 3. DIMENSIONS ARE IN INCHES [mm].							
	TITLE 4 Way Power Divider N Interface to 2.7 GHz Rated at 30 Watts		DWG NO FMDV1036A		CAGE CODE 3FKR5			
CAD FILE	01/29/19	SHEET	1 OF 1	SCALE	N/A	SIZE	A	7361