

1.0/2.3 Plug Connector Crimp/Solder Attachment for RG58, RG303, RG141, LMR-195, 0.195 inch

1.0/2.3 plug connector with crimp/solder attachment for RG58, RG303, RG141, LMR-195 and .195 inch, part number FMCN1816, from Fairview Microwave is in-stock and ships same day. This 1.0/2.3 plug connector operates up to a maximum frequency of 4 GHz and offers good VSWR of 1.3:1.

Fairview's 1.0/2.3 plug connector FMCN1816 datasheet specifications and outline drawing are shown in this PDF below. Our extensive offering of RF, microwave and millimeter wave connectors allows designers to configure and customize their signal connections however they like. From providing an I/O for a board design to creating a custom cable assembly configuration, Fairview Microwave has a connector solution to meet your needs. Fairview Microwave also has the expertise to build your custom cable assemblies for you and ship them same-day.

Electrical Specifications

Description	Min	Typ	Max	Units
Frequency Range	DC		4	GHz
VSWR			1.3:1	
Operating Voltage (AC)			250	Vrms
DWV (AC)			750	Vrms

Mechanical Specifications

Size	
Length	1.12 in [28.45 mm]
Width/Dia.	0.303 in [7.70 mm]
Height	0.252 in [6.4 mm]
Weight	0.016 lbs [7.26 g]

Material Specifications

Description	Material	Plating
Contact	Brass	Gold 30 µin minimum
Insulation	PTFE	
Body	Brass	Nickel 100 µin minimum

Environmental Specifications

Temperature

Operating Range -40 to +155 deg C

Compliance Certifications (see [product page](#) for current document)

Plotted and Other Data

Notes:



Configuration:

- 1.0/2.3 Plug Connector
- 50 Ohms
- Straight Body Geometry
- RG58, RG303, RG141, LMR-195, .195 inch Interface Type
- Crimp/Solder Attachment

Features:

- Operating Frequency of 4 GHz Max.
- Good VSWR of 1.3:1
- Gold Plated Brass Contact
- 30 µin minimum contact plating

Applications:

- General Purpose Test
- Custom Cable Assemblies

Fairview Microwave
 301 Leora Ln., Suite 100
 Lewisville, TX 75056
 Tel: 1-800-715-4396 / (972) 649-6678
 Fax: (972) 649-6689
www.fairviewmicrowave.com
sales@fairviewmicrowave.com

1.0/2.3 Plug Connector Crimp/Solder Attachment for RG58, RG303, RG141, LMR-195, 0.195 inch from Fairview Microwave is in-stock and available to ship same-day. All of our RF/microwave products are available off-the-shelf from our ISO 9001:2008 certified facilities in Lewisville, Texas. Fairview Microwave is RF on-demand.

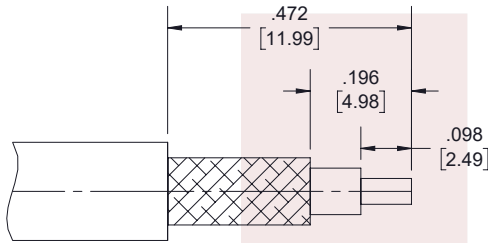
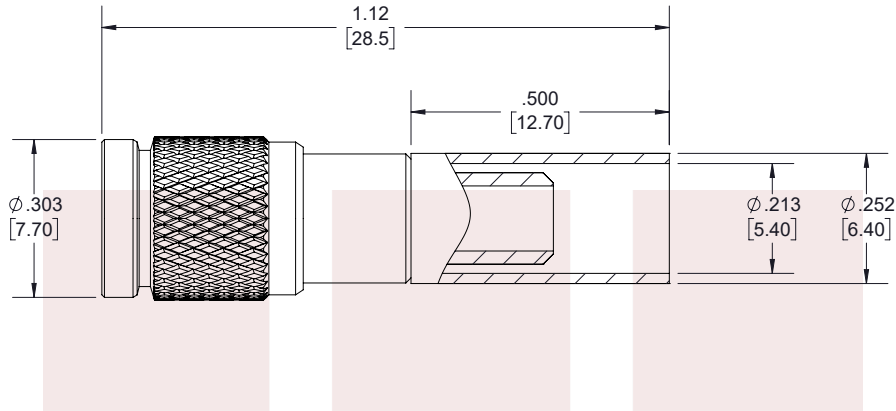
For additional information on this product, please click the following link: [1.0/2.3 Plug Connector Crimp/Solder Attachment for RG58, RG303, RG141, LMR-195, 0.195 inch FMCN1816](#)

URL: <https://www.fairviewmicrowave.com/1.0-2.3-plug-rg58-rg303-rg141-lmr-195-.195-connector-fmcn1816-p.aspx>

The information contained in this document is accurate to the best of our knowledge and representative of the part described herein. It may be necessary to make modifications to the part and/or the documentation of the part, in order to implement improvements. Fairview Microwave reserves the right to make such changes as required. Unless otherwise stated, all specifications are nominal. Fairview Microwave does not make any representation or warranty regarding the suitability of the part described herein for any particular purpose, and Fairview Microwave does not assume any liability arising out of the use of any part or documentation.



REVISIONS			
REV.	DESCRIPTION	DATE	APPROVED
A	INITIAL RELEASE	02/11/2022	A.GANWANI



STRIPPING DIMENSIONS

NOTES:

- CABLE ATTACHMENT:
OUTER: CRIMP.
INNER: SOLDER/CRIMP.
- CRIMP SIZE REQUIRED:
CONTACT: .36" [0.92] SQ CRIMP TOOL.
RERRULE: .216" [5.5] HEX CRIMP TOOL.

THESE COMMODITIES, TECHNOLOGY OR SOFTWARE WERE EXPORTED FROM THE UNITED STATES IN ACCORDANCE WITH THE EXPORT ADMINISTRATION REGULATIONS. DIVERSION CONTRARY TO U.S. LAW PROHIBITED.

<p>Fairview Microwave an INFINIT[®] brand</p>	<p>UNLESS OTHERWISE SPECIFIED LEADING DIMENSIONS ARE INCHES DIMENSIONS IN [] ARE MILLIMETERS</p>		<p>THIRD-ANGLE PROJECTION</p>	
	<p>TOLERANCES:</p> <p>.X = ±.2 [5.08] FRACTIONS ± 1/32 .XX = ±.02 [.51] ANGLES ± 1° .XXX = ±.005 [.13]</p>		<p>CABLE LENGTH (L) TOLERANCES:</p> <p>L ≤ 12 [305] = +1 [25] / -0 12 [305] < L ≤ 60 [1524] = +2 [51] / -0 60 [1524] < L ≤ 120 [3048] = +4 [102] / -0 120 [3048] < L ≤ 300 [7620] = +6 [152] / -0 300 [7620] < L = +5%L / -0</p>	
<p>TITLE</p> <p>1.0/2.3 Plug Connector Crimp/Solder Attachment for RG58, RG303, RG141, LMR-195, 0.195 inch</p>		<p>ALL DIMENSIONS SHOWN ARE FOR REFERENCE ONLY.</p>		<p>THE INFORMATION AND DESIGN IN THIS DOCUMENT IS THE PROPERTY OF FAIRVIEW MICROWAVE CORPORATION. ALL RIGHTS RESERVED.</p> <p>SHEET 1 OF 1</p>
<p>SIZE</p> <p>A</p>	<p>CAGE CODE</p> <p>3FKR5</p>	<p>DRAWN BY</p> <p>K.GLEBOVA</p>	<p>ITEM NO.</p> <p>FMCN1816</p>	<p>SCALE</p> <p>N/A</p>
				<p>REV</p> <p>A</p>

T-Rev.D