

## 2.4mm Female Connector Field Replaceable Attachment 2 Hole Flange , .481 inch Hole Spacing 0.015 inch Pin with Metal Contact Ring

2.4mm female 2 hole flange mount field replaceable connector with EMI gasket (.481 inch hole spacing), part number FMCN1670, from Fairview Microwave is in-stock and ships same day. This 2.4mm female connector operates up to a maximum frequency of 50 GHz and offers excellent VSWR of 1.2:1. Fairview's FMCN1670 2 hole flange 2.4mm connector enables designers to make external connections on product enclosures, and can be used in a variety of other rack mount and panel mount applications. Fairview's field replaceable connector is easy to install or replace in the field.

Fairview's 2.4mm female 2 hole flange connector FMCN1670 datasheet specifications and outline drawing are shown in this PDF below. Our extensive offering of RF, microwave and millimeter wave connectors allows designers to configure and customize their signal connections however they like. From providing an I/O for a board design to creating a custom cable assembly configuration, Fairview Microwave has a connector solution to meet your needs. Fairview Microwave also has the expertise to build your custom cable assemblies for you and ship them same-day.

### Electrical Specifications

| Description     | Min | Typ | Max   | Units |
|-----------------|-----|-----|-------|-------|
| Frequency Range | DC  |     | 50    | GHz   |
| VSWR            |     |     | 1.2:1 |       |

### Mechanical Specifications

| Size          |                     |
|---------------|---------------------|
| Length        | 0.427 in [10.85 mm] |
| Width/Dia.    | 0.275 in [6.99 mm]  |
| Height        | 0.625 in [15.88 mm] |
| Weight        | 0.7 lbs [317.51 g]  |
| Mating Cycles | 500 Cycles          |

### Material Specifications

| Description     | Material                   | Plating |
|-----------------|----------------------------|---------|
| Contact         | Beryllium Copper           | Gold    |
| Insulation      | PEI                        |         |
| Outer Conductor | Passivated Stainless Steel |         |
| Body            | Passivated Stainless Steel |         |

### Environmental Specifications

| Temperature     |                   |
|-----------------|-------------------|
| Operating Range | -40 to +165 deg C |

**Compliance Certifications** (see [product page](#) for current document)

### Plotted and Other Data

Notes:



### Configuration:

- 2.4mm Female Connector
- Straight Body Geometry
- 0.015 inch Pin Interface Type
- Field Replaceable Attachment
- 2 Hole Flange

### Features:

- Operating Frequency of 50 GHz Max.
- Excellent VSWR of 1.2:1
- Gold Plated Beryllium Copper Contact
- Metal Contact Ring

### Applications:

- General Purpose Test
- Rack and Panel Mount Applications
- Used in Product Requiring Hermetic Seals
- Allows for Replacement of Damaged Connectors

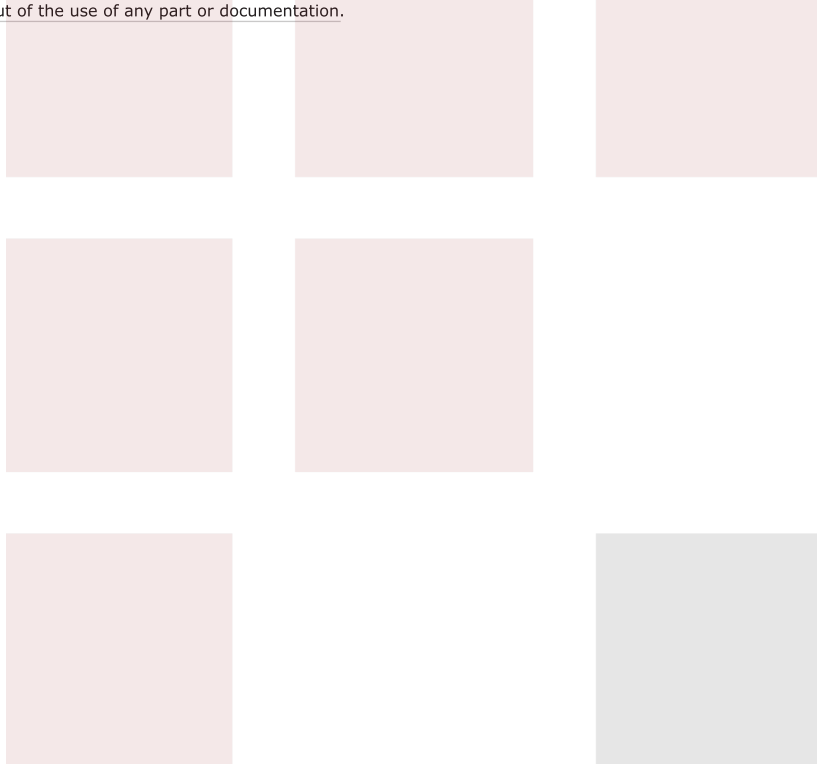
Fairview Microwave  
301 Leora Ln., Suite 100  
Lewisville, TX 75056  
Tel: 1-800-715-4396 / (972) 649-6678  
Fax: (972) 649-6689  
[www.fairviewmicrowave.com](http://www.fairviewmicrowave.com)  
[sales@fairviewmicrowave.com](mailto:sales@fairviewmicrowave.com)

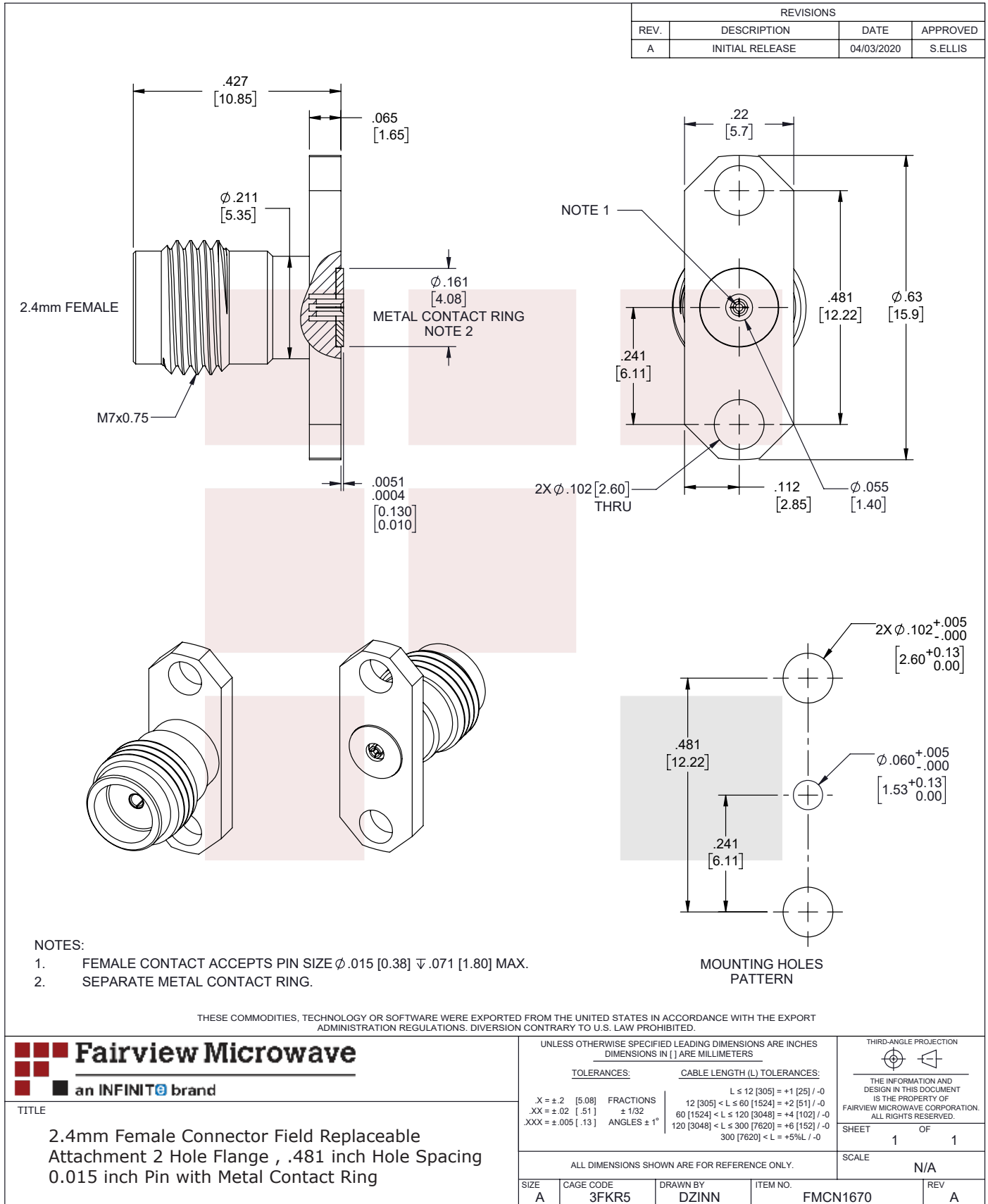
2.4mm Female Connector Field Replaceable Attachment 2 Hole Flange , .481 inch Hole Spacing 0.015 inch Pin with Metal Contact Ring from Fairview Microwave is in-stock and available to ship same-day. All of our RF/microwave products are available off-the-shelf from our ISO 9001:2008 certified facilities in Lewisville, Texas. Fairview Microwave is RF on-demand.

For additional information on this product, please click the following link: [2.4mm Female Connector Field Replaceable Attachment 2 Hole Flange , .481 inch Hole Spacing 0.015 inch Pin with Metal Contact Ring FMCN1670](#)

URL: <https://www.fairviewmicrowave.com/2.4mm-female-0.015-pin-connector-fmcn1670-p.aspx>

The information contained in this document is accurate to the best of our knowledge and representative of the part described herein. It may be necessary to make modifications to the part and/or the documentation of the part, in order to implement improvements. Fairview Microwave reserves the right to make such changes as required. Unless otherwise stated, all specifications are nominal. Fairview Microwave does not make any representation or warranty regarding the suitability of the part described herein for any particular purpose, and Fairview Microwave does not assume any liability arising out of the use of any part or documentation.





T-Rev.D