

**C Female Connector Solder Cup Terminal Solder Attachment 4 Hole Flange , .718 inch Hole Spacing**

Type C female 4 hole flange mount connector with solder cup terminal (.718 inch hole spacing), part number FMCN1368, from Fairview Microwave is in-stock and ships same day. This type C female connector operates up to a maximum frequency of 10 GHz and offers good VSWR of 1.3:1. Fairview's FMCN1368 4 hole flange type C connector enables designers to make external connections on product enclosures, and can be used in a variety of other rack mount and panel mount applications.

Fairview's type C female 4 hole flange connector FMCN1368 datasheet specifications and outline drawing are shown in this PDF below. Our extensive offering of RF, microwave and millimeter wave connectors allows designers to configure and customize their signal connections however they like. From providing an I/O for a board design to creating a custom cable assembly configuration, Fairview Microwave has a connector solution to meet your needs. Fairview Microwave also has the expertise to build your custom cable assemblies for you and ship them same-day.



**Configuration:**

- C Female Connector
- MIL-STD-348A
- 50 Ohms
- Straight Body Geometry
- Solder Cup Interface Type
- Solder Attachment
- 4 Hole Flange

**Features:**

- Operating Frequency of 10 GHz Max.
- Good VSWR of 1.3:1
- Gold Plated Brass Contact

**Applications:**

- General Purpose Test
- Rack and Panel Mount Applications

**Electrical Specifications**

Description	Min	Typ	Max	Units
Frequency Range	DC		10	GHz
VSWR			1.3:1	
Operating Voltage (AC)			1,000	Vrms

**Mechanical Specifications**

<b>Size</b>	
Length	1.09 in [27.69 mm]
Width/Dia.	1 in [25.40 mm]
Height	1 in [25.4 mm]

**Material Specifications**

Description	Material	Plating
Contact	Brass	Gold
Insulation	PTFE	
Body	Brass	Nickel 100 µin minimum

**Environmental Specifications**

<b>Temperature</b>	
Operating Range	-65 to +165 deg C

**Compliance Certifications** (see [product page](#) for current document)

**Plotted and Other Data**

Notes:

Fairview Microwave  
 1130 Junction Dr. #100  
 Allen, TX 75013  
 Tel: 1-800-715-4396 / (972) 649-6678  
 Fax: (972) 649-6689  
[www.fairviewmicrowave.com](http://www.fairviewmicrowave.com)  
[sales@fairviewmicrowave.com](mailto:sales@fairviewmicrowave.com)

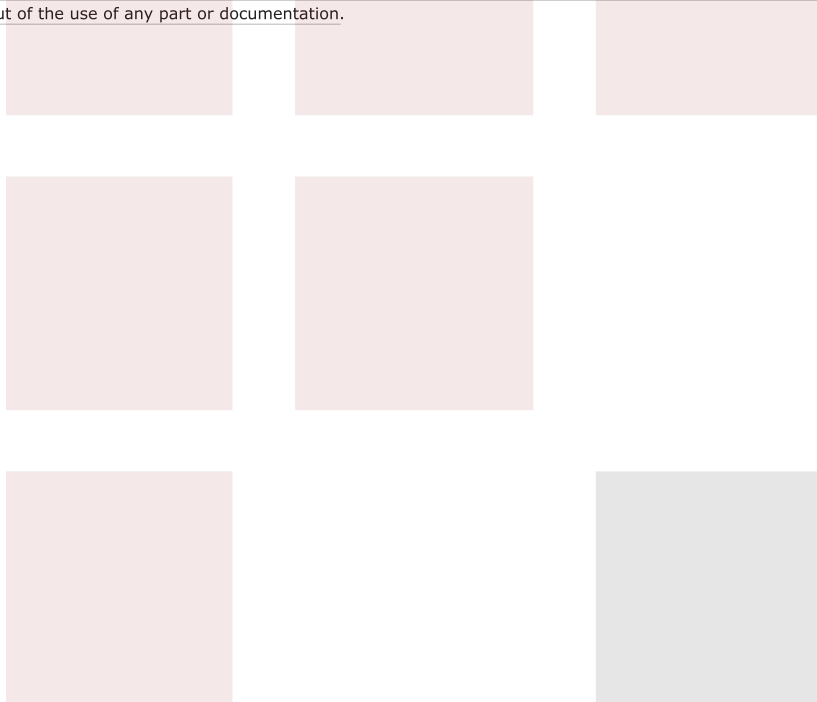
**Assembly Instruction**

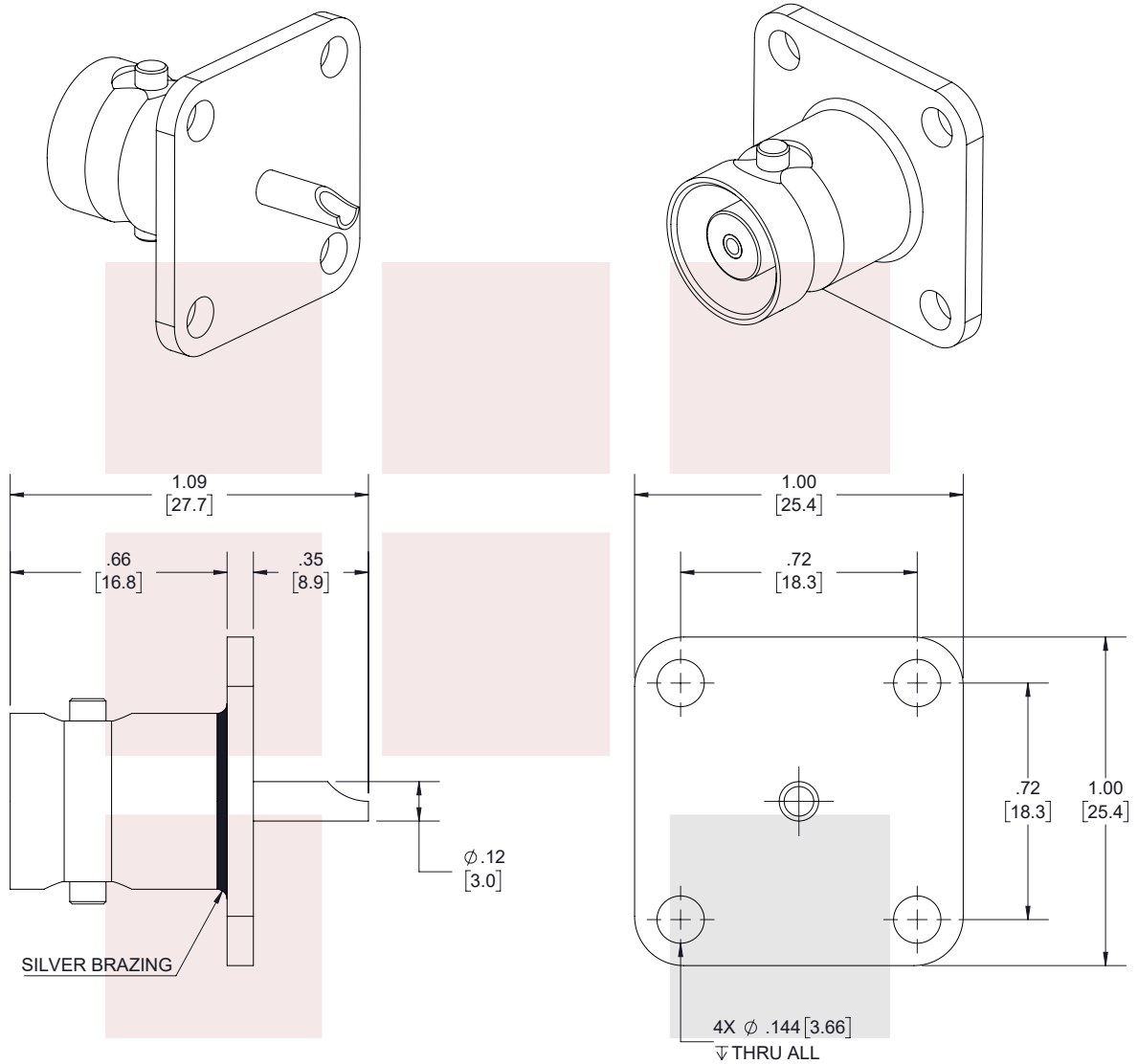
C Female Connector Solder Cup Terminal Solder Attachment 4 Hole Flange , .718 inch Hole Spacing from Fairview Microwave is in-stock and available to ship same-day. All of our RF/microwave products are available off-the-shelf from our ISO 9001:2008 certified facilities in Allen, Texas. Fairview Microwave is RF on-demand.

For additional information on this product, please click the following link: [C Female Connector Solder Cup Terminal Solder Attachment 4 Hole Flange , .718 inch Hole Spacing FMCN1368](#)

URL: <https://www.fairviewmicrowave.com/c-female-solder-cup-terminal-connector-fmcn1368-p.aspx>

The information contained in this document is accurate to the best of our knowledge and representative of the part described herein. It may be necessary to make modifications to the part and/or the documentation of the part, in order to implement improvements. Fairview Microwave reserves the right to make such changes as required. Unless otherwise stated, all specifications are nominal. Fairview Microwave does not make any representation or warranty regarding the suitability of the part described herein for any particular purpose, and Fairview Microwave does not assume any liability arising out of the use of any part or documentation.





STANDARD TOLERANCES	
.X	±0.2
.XX	±0.01
.XXX	±0.005

\*STANDARD TOLERANCES APPLY ONLY TO DIMENSIONS IN INCHES

<b>FAIRVIEW MICROWAVE INC.</b> ALLEN, TX 75013 WWW.FAIRVIEWMICROWAVE.COM		NOTES: 1. UNLESS OTHERWISE SPECIFIED ALL DIMENSIONS ARE NOMINAL. 2. ALL SPECIFICATIONS ARE SUBJECT TO CHANGE WITHOUT NOTICE AT ANY TIME. 3. DIMENSIONS ARE IN INCHES [mm].			
TITLE C Female Connector Solder Cup Terminal Solder Attachment 4 Hole Flange , .718 inch Hole Spacing		DWG NO FMCN1368		CAGE CODE 3FKR5	
CAD FILE	110117	SHEET	1 OF 1	SCALE	N/A
		SIZE	A		7361