

75 Ohm 12G SDI 1.0/2.3 Male Connector Crimp/ Solder Attachment for Belden 4694R, Belden 1694A, RG6 Cable

75 Ohm 1.0/2.3 male connector with crimp/solder attachment for Belden 4694R, Belden 1694A and RG6, part number FMCN0003, from Fairview Microwave is in-stock and ships same day. This 1.0/2.3 male connector operates up to a maximum frequency of 12 GHz. Fairview Microwave's 12G-SDI 1.0/2.3 connector FMCN0003 utilizes 12Gb/s data transfer rates to enable high resolution uncompressed video signal transmission. These products offer 4K and Ultra-HD quality signals that meet SMPTE ST 2082-1. These 75 Ohm connectors are available in PCB edge-mount, straight, or right angle configurations, as well as coaxial connectors to be used in industry standard cable assemblies.

Fairview's 75 ohm 1.0/2.3 male connector FMCN0003 datasheet specifications and outline drawing are shown in this PDF below. Our extensive offering of RF, microwave and millimeter wave connectors allows designers to configure and customize their signal connections however they like. From providing an I/O for a board design to creating a custom cable assembly configuration, Fairview Microwave has a connector solution to meet your needs. Fairview Microwave also has the expertise to build your custom cable assemblies for you and ship them same-day.

Electrical Specifications

| Description | Min | Typ | Max | Units |
|-----------------|-----|-----|-----|-------|
| Frequency Range | DC | | 12 | GHz |

Mechanical Specifications

| | |
|-------------|--------------------|
| Size | |
| Length | 1.1 in [27.94 mm] |
| Width/Dia. | 0.325 in [8.26 mm] |
| Height | 0.325 in [8.26 mm] |
| Weight | 0.05 lbs [22.68 g] |

Material Specifications

| Description | Material | Plating |
|-----------------|----------|---------------------------|
| Contact | Brass | Gold 10 µin |
| Insulation | PTFE | |
| Outer Conductor | Brass | Gold 3 µin |
| Body | Brass | Nickel 100 µin minimum |
| Crimp Sleeve | Brass | Nickel |

Compliance Certifications (see [product page](#) for current document)

Plotted and Other Data

Notes:



Configuration:

- 1.0/2.3 Male Connector
- 75 Ohms
- Straight Body Geometry
- Belden 4694R, Belden 1694A, RG6 Interface Type
- Crimp/Solder Attachment

Features:

- Operating Frequency of 12 GHz Max.
- Gold Plated Brass Contact
- 10 µin contact plating
- Meets SMPTE ST 2082-1
- Backwards Compatible with 2081-1
- 12Gb/s Transmission
- Cost Effective
- Designed for High Density Applications

Applications:

- General Purpose Test
- Custom Cable Assemblies
- 12G-SDI, Video, and Broadband UHDTV
- Broadband Internet Delivery
- Broadcast A/V
- 4K/8K Video Equipment
- Medical Equipment Requiring High Speed Video

Fairview Microwave
 301 Leora Ln., Suite 100
 Lewisville, TX 75056
 Tel: 1-800-715-4396 / (972) 649-6678
 Fax: (972) 649-6689
www.fairviewmicrowave.com
sales@fairviewmicrowave.com

75 Ohm 12G SDI 1.0/2.3 Male Connector Crimp/Solder Attachment for Belden 4694R, Belden 1694A, RG6 Cable from Fairview Microwave is in-stock and available to ship same-day. All of our RF/microwave products are available off-the-shelf from our ISO 9001:2008 certified facilities in Lewisville, Texas. Fairview Microwave is RF on-demand.

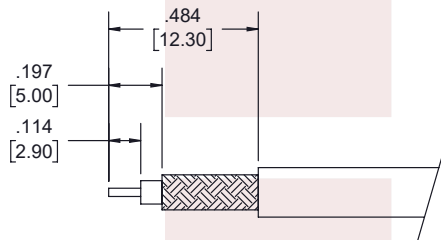
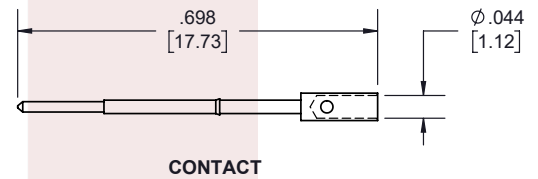
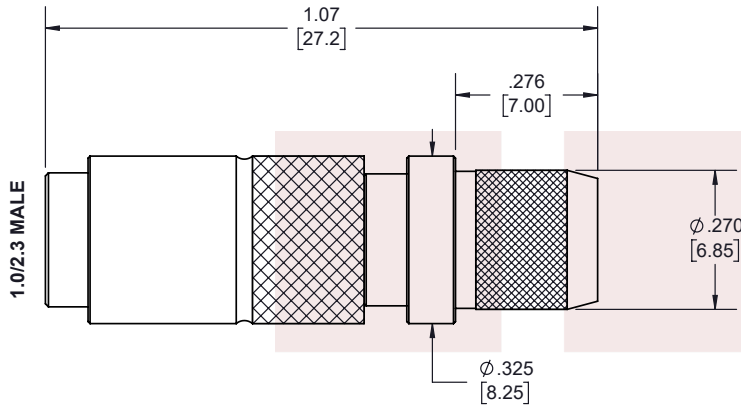
For additional information on this product, please click the following link: [75 Ohm 12G SDI 1.0/2.3 Male Connector Crimp/Solder Attachment for Belden 4694R, Belden 1694A, RG6 Cable FMCN0003](#)

URL: <https://www.fairviewmicrowave.com/1.0-2.3-male-belden-4694r-belden-1694a-rg6-connector-fmcn0003-p.aspx>

The information contained in this document is accurate to the best of our knowledge and representative of the part described herein. It may be necessary to make modifications to the part and/or the documentation of the part, in order to implement improvements. Fairview Microwave reserves the right to make such changes as required. Unless otherwise stated, all specifications are nominal. Fairview Microwave does not make any representation or warranty regarding the suitability of the part described herein for any particular purpose, and Fairview Microwave does not assume any liability arising out of the use of any part or documentation.



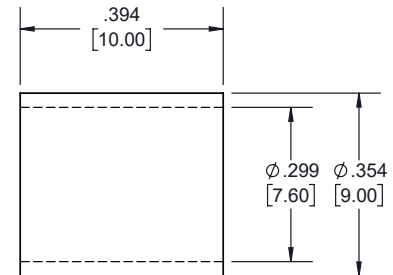
| REVISIONS | | | |
|-----------|-----------------|------------|------------|
| REV. | DESCRIPTION | DATE | APPROVED |
| A | INITIAL RELEASE | 11/23/2021 | A. GANWANI |



STRIPPING DIMENSIONS

NOTES:

- CABLE ATTACHMENT:
 - OUTER: CRIMP.
 - INNER: SOLDER.
- CRIMP SIZE REQUIRED:
 - FERRULE: .324 [8.23] HEX DIE.



FERRULE

THESE COMMODITIES, TECHNOLOGY OR SOFTWARE WERE EXPORTED FROM THE UNITED STATES IN ACCORDANCE WITH THE EXPORT ADMINISTRATION REGULATIONS. DIVERSION CONTRARY TO U.S. LAW PROHIBITED.

TITLE
75 Ohm 12G SDI 1.0/2.3 Male Connector Crimp/
Solder Attachment for Belden 4694R, Belden 1694A,
RG6 Cable

| | | | |
|---|------------------|---|--|
| UNLESS OTHERWISE SPECIFIED LEADING DIMENSIONS ARE INCHES DIMENSIONS IN [] ARE MILLIMETERS | | THIRD-ANGLE PROJECTION | |
| TOLERANCES: | | CABLE LENGTH (L) TOLERANCES: | |
| .X = ± 2 [5.08] | FRACTIONS ± 1/32 | L ≤ 12 [305] = +1 [25] / -0 | <p>THE INFORMATION AND DESIGN IN THIS DOCUMENT IS THE PROPERTY OF FAIRVIEW MICROWAVE CORPORATION. ALL RIGHTS RESERVED.</p> |
| .XX = ± .02 [51] | ANGLES ± 1° | 12 [305] < L ≤ 60 [1524] = +2 [51] / -0 | |
| .XXX = ± .005 [13] | | 60 [1524] < L ≤ 120 [3048] = +4 [102] / -0 | |
| | | 120 [3048] < L ≤ 300 [7620] = +6 [152] / -0 | |
| ALL DIMENSIONS SHOWN ARE FOR REFERENCE ONLY. | | | 300 [7620] < L = +5%L / -0 |
| SIZE | CAGE CODE | DRAWN BY | ITEM NO. |
| A | 3FKR5 | K.DANG | FMCN0003 |
| SHEET 1 OF 1 | | | REV A |
| SCALE | | | N/A |

T-Rev.D