

2.15 dBi, UHF Rubber Duck Antenna, 412-520 MHz, I-COM Connector, Vertical Polarization

Description

The FMANRBD1007 rubber duck antenna from Fairview is part of our extensive line of directional antennas that we offer with global same-day shipping from our facilities certified to ISO 9001:2015. Fairview's high-quality single-band rubber duck antenna has a 2.15 dBi nominal gain and can be procured with no order limit. This rubber duck single-band 2.15 dBi antenna has a frequency range of 412 MHz to 520 MHz.

We lead the industry in supplying products like this 412 MHz to 520 MHz single-band antenna, along with other RF, microwave, and millimeter wave components. This rubber duck antenna from Fairview uses an I-COM connector and has a maximum input power of 20 watts. Use our single-band rubber duck antenna with vertical polarization for fixed and mobile services, public safety or emergency services, trunking for two-way radio communications, land and private mobile radio (LMR) (PMR), PtP or PtMP, tetra, and P-25 applications.

Fairview's rubber duck antenna with 2.15 dBi gain has an I-COM-type connector. This I-COM-series connectorized omnidirectional antenna is 0.5 inches tall, 0.5 inches wide, and 6.3 inches long. The FMANRBD1007 UHF antenna has 360-degrees of horizontal and 80-degrees of vertical HPBW. Our high-quality antenna has a maximum input VSWR (voltage standing wave ratio) of 3:1.

Fairview's 50 Ohms impedance antenna can operate at temperatures ranging from -40 °C to 60 °C. This single-band rubber duck antenna is offered with expert technical support, PDF datasheets, and CAD drawings with dimensions and specifications. Order your 2.15 dBi UHF rubber duck antennas now and enjoy our international or domestic same-day shipping.

Configuration

| | |
|----------------|-------------|
| Design | Rubber Duck |
| Gain | 2.15 |
| Polarization | Vertical |
| Connector Type | I-COM |

Electrical Specifications

| Description | Min | Typ | Max | Units |
|---------------------------------|-----|------|-----|---------|
| Frequency Range | 412 | | 520 | MHz |
| Input VSWR | | | 3:1 | |
| Impedance | | 50 | | Ohms |
| Gain | | 2.15 | | dBi |
| Horizontal (Azimuth) Beam Width | | 360 | | Degrees |
| Vertical (Elevation) Beam Width | | 80 | | Degrees |
| Input Power | | | 20 | Watts |



Features:

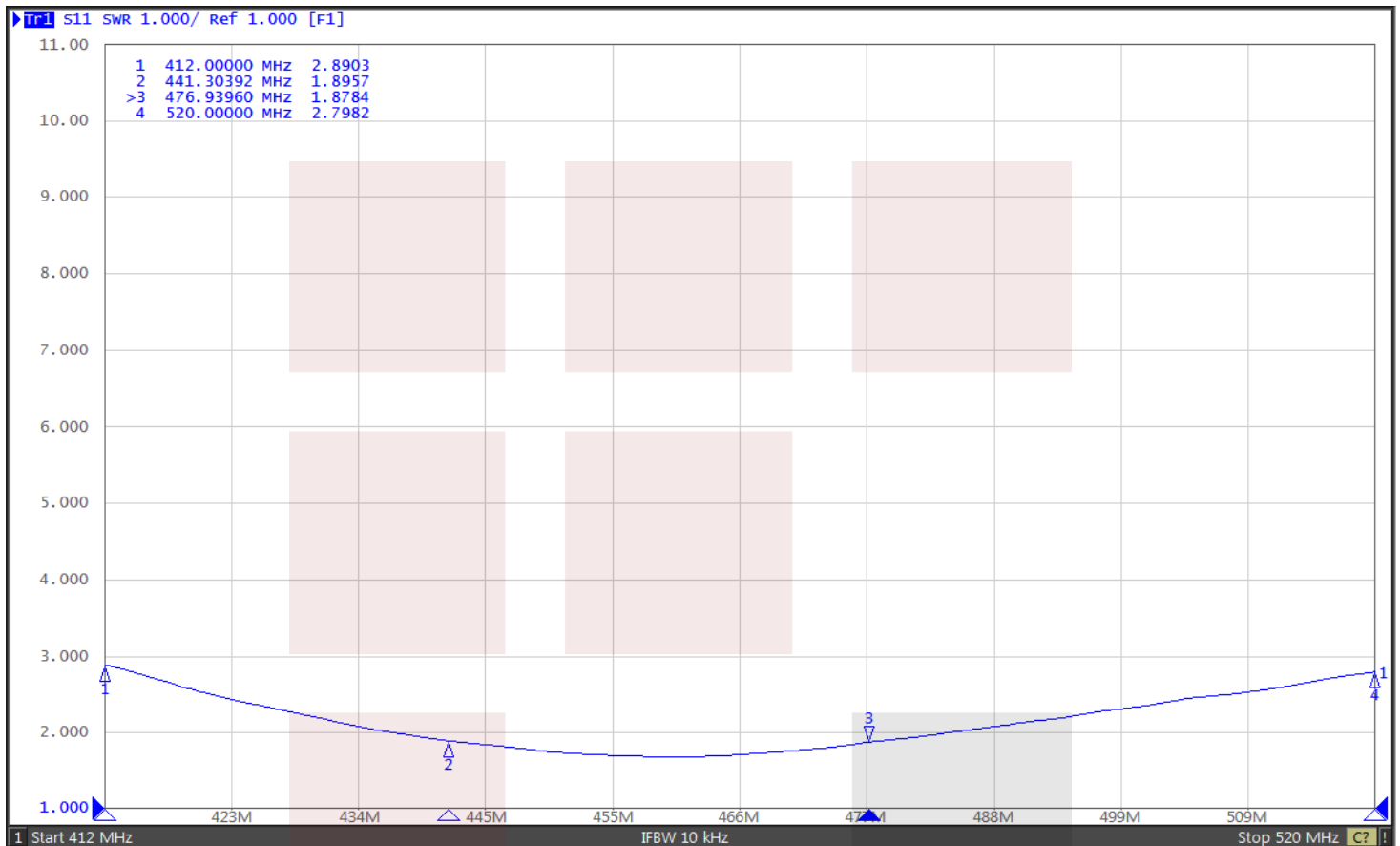
- 412 MHz to 520 MHz, 2.15 dBi Gain
- I-COM connector
- Heliflex whip antenna
- Plug and play
- 20W power handling
- VSWR < 3:1
- Vertical polarization

Applications:

- PtP or PtMP applications
- Trunking for two-way radio comms
- UHF applications
- Public Safety / Emergency services
- Tetra and P-25 applications exclusively supported
- Land and Private mobile radio (LMR) (PMR)
- Fixed and mobile services

Fairview Microwave
301 Leora Ln., Suite 100
Lewisville, TX 75056
Tel: 1-800-715-4396 / (972) 649-6678
Fax: (972) 649-6689
www.fairviewmicrowave.com
sales@fairviewmicrowave.com

VSWR plot:



Mechanical Specifications

| | |
|-------------|---------------------|
| Size | |
| Length | 6.3 in [160.02 mm] |
| Width | 0.5 in [12.7 mm] |
| Height | 0.5 in [12.7 mm] |
| Weight | 2.16 lbs [979.76 g] |

Environmental Specifications

| | |
|--------------------|------------------|
| Temperature | |
| Operating Range | -40 to +60 deg C |

Compliance Certifications (see [product page](#) for current document)

Plotted and Other Data

Notes:

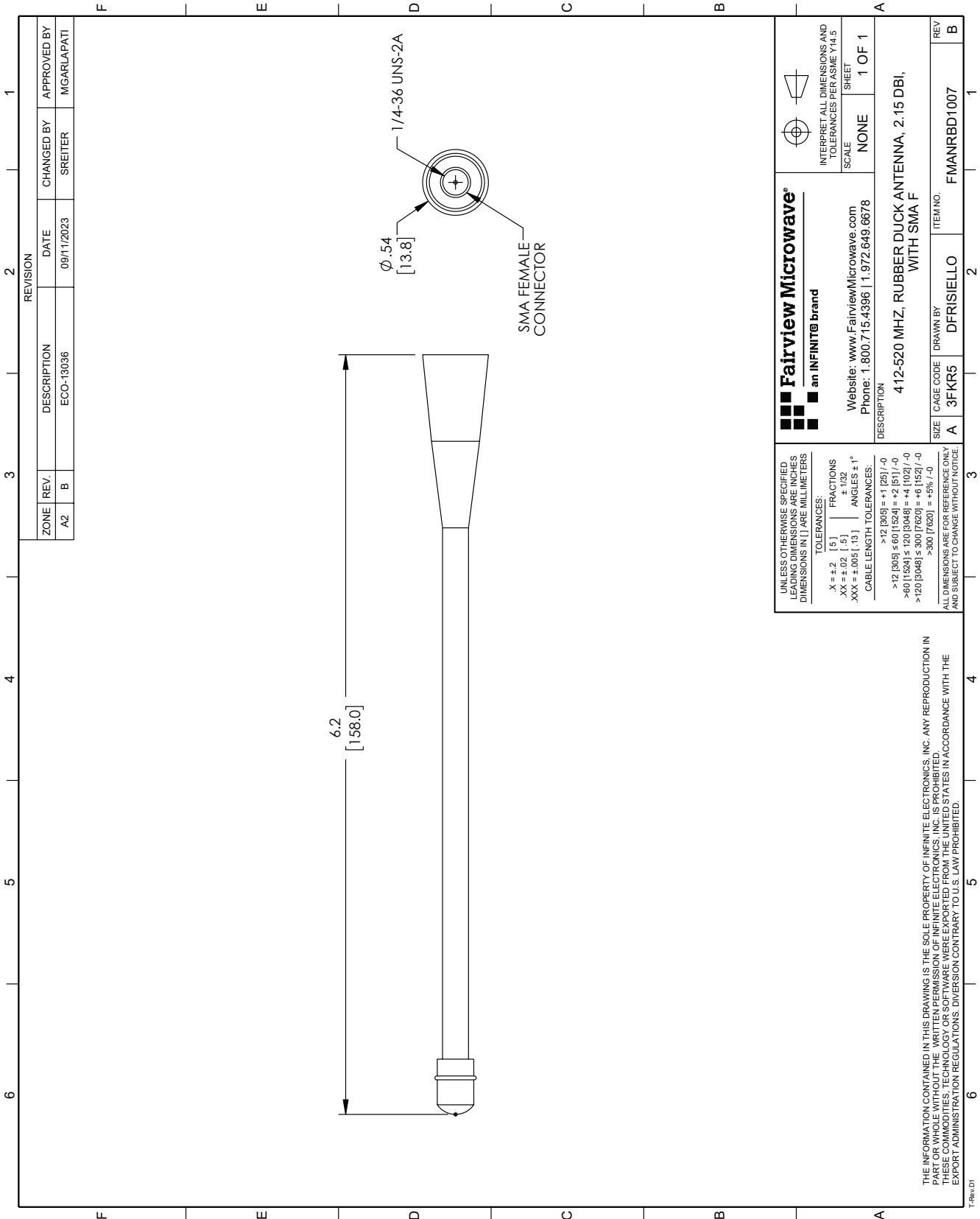
2.15 dBi, UHF Rubber Duck Antenna, 412-520 MHz, I-COM Connector, Vertical Polarization from Fairview Microwave is in-stock and available to ship same-day. All of our RF/microwave products are available off-the-shelf from our ISO 9001:2008 certified facilities in Lewisville, Texas. Fairview Microwave is RF on-demand.

For additional information on this product, please click the following link: [2.15 dBi, UHF Rubber Duck Antenna, 412-520 MHz, I-COM Connector, Vertical Polarization FMANRBD1007](#)

URL: <https://www.fairviewmicrowave.com/2.15-dbi-uhf-rubber-duck-antenna-412-520-mhz-i-com-connector-vertical-polarization-fmanrbd1007-p.aspx>

The information contained in this document is accurate to the best of our knowledge and representative of the part described herein. It may be necessary to make modifications to the part and/or the documentation of the part, in order to implement improvements. Fairview Microwave reserves the right to make such changes as required. Unless otherwise stated, all specifications are nominal. Fairview Microwave does not make any representation or warranty regarding the suitability of the part described herein for any particular purpose, and Fairview Microwave does not assume any liability arising out of the use of any part or documentation.





| REVISION | | DATE | CHANGED BY | APPROVED BY |
|----------|------|-------------|------------|-------------|
| ZONE | REV. | DESCRIPTION | | |
| A2 | B | ECO-13036 | SREITER | MGARLAPATI |

| | |
|--|--|
| <p>Fairview Microwave an INFINIT[®] brand</p> | <p>INTERPRET ALL DIMENSIONS AND TOLERANCES PER ASME Y14.5</p> |
| | <p>SCALE: NONE</p> <p>SHEET: 1 OF 1</p> |
| <p>Website: www.FairviewMicrowave.com</p> <p>Phone: 1.800.715.4396 1.972.649.6678</p> | <p>DESCRIPTION</p> <p>412-520 MHZ. RUBBER DUCK ANTENNA, 2.15 DBI, WITH SMA F</p> |
| <p>SIZE: A</p> <p>CAGE CODE: 3FKR5</p> <p>DRAWN BY: DFRISIELLO</p> <p>ITEM NO.: FMANRBD1007</p> | <p>REV: B</p> |

UNLESS OTHERWISE SPECIFIED, DIMENSIONS ARE IN INCHES AND DECIMAL DIMENSIONS IN LARGE MILLIMETERS.

TOLERANCES:

.X = ±.2 (.5) FRACTIONS
 .XX = ±.02 (.5) ± .032
 .XXX = ±.005 (.13) ANGLES ± 1°

CABLE LENGTH TOLERANCES:

>12 (305) = +1 (25) / -0
 >12 (305) ≤ 60 (1524) = +2 (51) / -0
 >60 (1524) ≤ 120 (3048) = +4 (102) / -0
 >120 (3048) ≤ 300 (7620) = +6 (152) / -0
 >300 (7620) = +5% / -0

ALL DIMENSIONS ARE FOR REFERENCE ONLY AND SUBJECT TO CHANGE WITHOUT NOTICE.

THE INFORMATION CONTAINED IN THIS DRAWING IS THE SOLE PROPERTY OF INFINITE ELECTRONICS, INC. ANY REPRODUCTION IN WHOLE OR IN PART WITHOUT THE WRITTEN PERMISSION OF INFINITE ELECTRONICS, INC. IS PROHIBITED. THESE COMMODITIES, TECHNOLOGY OR SOFTWARE WERE EXPORTED FROM THE UNITED STATES IN ACCORDANCE WITH THE EXPORT ADMINISTRATION REGULATIONS. DIVERSION CONTRARY TO U.S. LAW PROHIBITED.