

**902 to 928 MHz, RFID Flat Panel Antenna, 10 dBi Gain, Type N Male, PVC Radome, RHCP**

Fairview Microwave's FMANFP1070 is a RHCP RFID flat panel antenna. The FMANFP1070 with a 10 dBi gain nominal is a Directional antenna. Our 902 to 928 MHz antenna has N Male connector.

With an impedance of 50 Ohms and max input power of 20 Watts, the FMANFP1070 flat panel RHCP antenna is well suited for Radio Frequency Identification tag reading applications. This 902-928 MHz 10 dBi gain RFID antenna is highly directional providing the reader radio the capabilities of simultaneously reading a multitude of RFID tags with a high degree of accuracy.

Fairview Microwave's RFID FMANFP1070 has a radome made of PVC in White color and comes from a facility certified to ISO 9001:2015. This N Male connected Antenna has an overall length of 18 in, width of 6 in, and weighs 2.42 lbs. Use our on-line ordering system to purchase your FMANFP1070 RFID Directional RHCP antenna 24 hours a day with same-day shipping and no MOQs (minimum order quantities).

**Configuration**

Design	Flat Panel
Gain	10
Polarization	RHCP
Cable Type	RG142
Connector Type	N Male
Connector Type Specification	MIL-STD-348
Lightning Protection	DC Grounded

**Electrical Specifications**

Description	Min	Typ	Max	Units
Frequency Range	902		928	MHz
Input VSWR			1.3:1	
Impedance		50		Ohms
Gain		10		dBi
Front to Back Ratio		15		dB
Horizontal (Azimuth) Beam Width		80		Degrees
Vertical (Elevation) Beam Width		30		Degrees
Input Power			20	Watts

**Mechanical Specifications**

Radome Material	PVC
<b>Size</b>	
Length	18 in [457.2 mm]
Width	6 in [152.4 mm]
Height	1 in [25.4 mm]
Weight	2.42 lbs [1.1 kg]
<b>Connector 1</b>	
Inner Conductor Material and Plating	Brass, Silver
Body Material and Plating	Brass, Nickel


**Features:**

- High Performance Multi-tag read/write Capabilities
- Concealable Design
- Right Hand Circular Polarized
- 902 to 928 MHz Frequency Range
- 2 Meter Cable
- Type N Male Connector

**Applications:**

- Radio Frequency Identification
- Inventory Management
- Access Control
- Data Collection
- Asset Tracking
- Livestock Management

Fairview Microwave  
 301 Leora Ln., Suite 100  
 Lewisville, TX 75056  
 Tel: 1-800-715-4396 / (972) 649-6678  
 Fax: (972) 649-6689  
[www.fairviewmicrowave.com](http://www.fairviewmicrowave.com)  
[sales@fairviewmicrowave.com](mailto:sales@fairviewmicrowave.com)

## Environmental Specifications

### Temperature

Operating Range -40 to +60 deg C

**Compliance Certifications** (see [product page](#) for current document)

## Plotted and Other Data

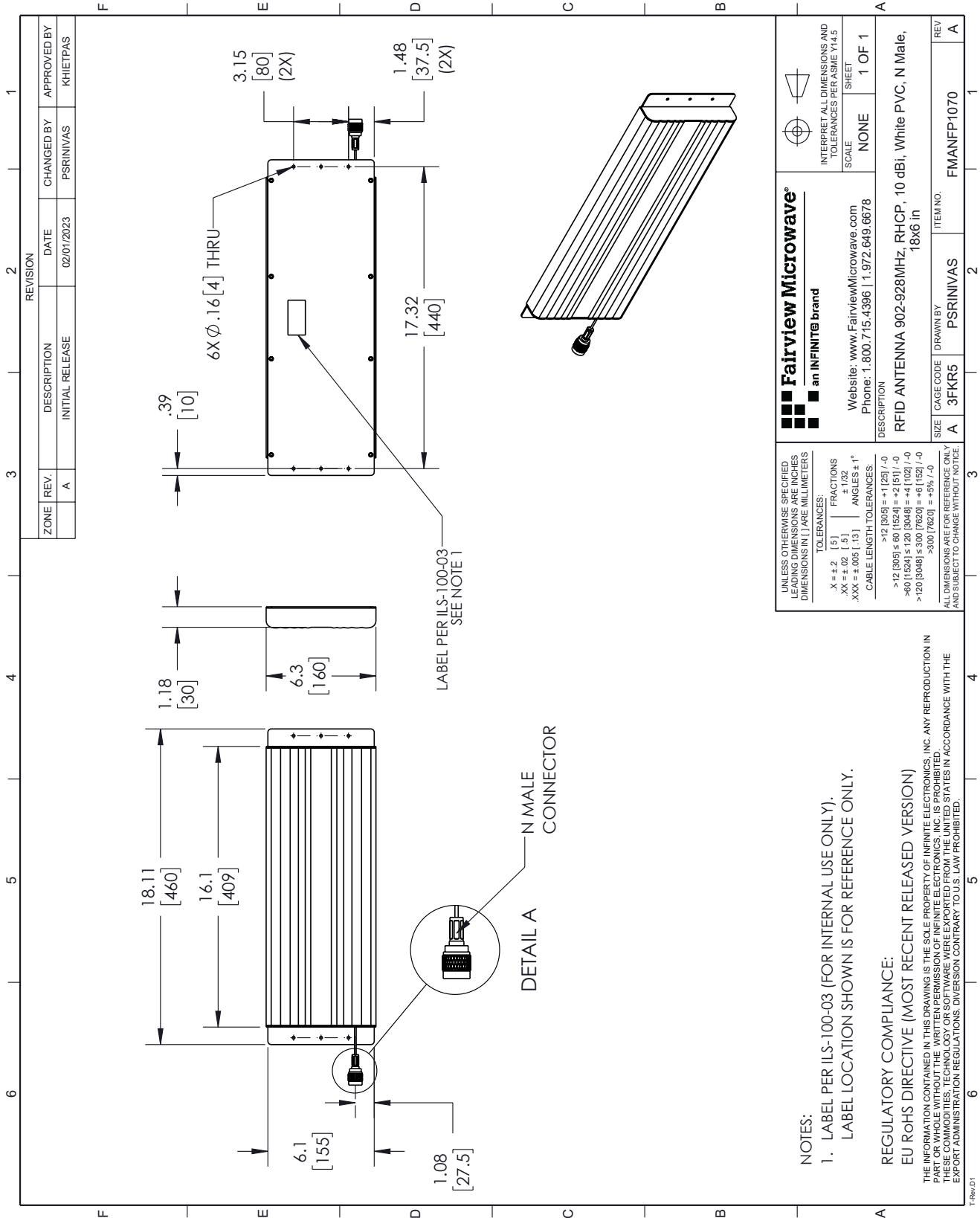
Notes:

902 to 928 MHz, RFID Flat Panel Antenna, 10 dBi Gain, Type N Male, PVC Radome, RHCP from Fairview Microwave is in-stock and available to ship same-day. All of our RF/microwave products are available off-the-shelf from our ISO 9001:2008 certified facilities in Lewisville, Texas. Fairview Microwave is RF on-demand.

For additional information on this product, please click the following link: [902 to 928 MHz, RFID Flat Panel Antenna, 10 dBi Gain, Type N Male, PVC Radome, RHCP FMANFP1070](#)

URL: <https://www.fairviewmicrowave.com/10-dbi-flat-panel-antenna-902-928-mhz-n-type-connector-fmanfp1070-p.aspx>

The information contained in this document is accurate to the best of our knowledge and representative of the part described herein. It may be necessary to make modifications to the part and/or the documentation of the part, in order to implement improvements. Fairview Microwave reserves the right to make such changes as required. Unless otherwise stated, all specifications are nominal. Fairview Microwave does not make any representation or warranty regarding the suitability of the part described herein for any particular purpose, and Fairview Microwave does not assume any liability arising out of the use of any part or documentation.



REVISION		DATE	CHANGED BY	APPROVED BY
ZONE	REV.	DESCRIPTION	DATE	APPROVED BY
	A	INITIAL RELEASE	02/01/2023	PSRINIVAS
				KHIETPAS

<p><b>Fairview Microwave</b> an INFINIT<sup>®</sup> brand</p>		<p>INTERPRET ALL DIMENSIONS AND TOLERANCES PER ASME Y14.5</p>
Website: <a href="http://www.FairviewMicrowave.com">www.FairviewMicrowave.com</a> Phone: 1.800.715.4396   1.972.649.6678		SCALE: NONE SHEET: 1 OF 1
DESCRIPTION: RFID ANTENNA 902-928MHz, RHCP, 10 dBi, White PVC, N Male, 18x6 in		
SIZE: A	CAGE CODE: 3FKR5	ITEM NO.: FMANFP1070
REV: A	DRAWN BY: PSRINIVAS	REV: A

UNLESS OTHERWISE SPECIFIED, LEADING DIMENSIONS ARE IN INCHES DIMENSIONS IN [ ] ARE MILLIMETERS

TOLERANCES:  
 X = ±.2 (1ST FRACTIONS)  
 XX = ±.02 (1ST FRACTIONS)  
 XXX = ±.005 (1ST FRACTIONS) ANGLES ±1°

CABLE LENGTH TOLERANCES:  
 >12 [305] = ±1 [25] / -0  
 >60 [1524] = ±2 [51] / -0  
 >60 [1524] ≤ 120 [3048] = ±4 [102] / -0  
 >120 [3048] ≤ 300 [7620] = ±8 [152] / -0  
 >300 [7620] = ±8% / -0

ALL DIMENSIONS ARE FOR REFERENCE ONLY AND SUBJECT TO CHANGE WITHOUT NOTICE

NOTES:  
 1. LABEL PER ILS-100-03 (FOR INTERNAL USE ONLY). LABEL LOCATION SHOWN IS FOR REFERENCE ONLY.

REGULATORY COMPLIANCE:  
 EU ROHS DIRECTIVE (MOST RECENT RELEASED VERSION)  
 THE INFORMATION CONTAINED IN THIS DRAWING IS THE SOLE PROPERTY OF INFINITE ELECTRONICS, INC. ANY REPRODUCTION IN PART OR WHOLE WITHOUT THE WRITTEN PERMISSION OF INFINITE ELECTRONICS, INC. IS PROHIBITED.  
 THESE COMMODITIES, TECHNOLOGY OR SOFTWARE WERE EXPORTED FROM THE UNITED STATES IN ACCORDANCE WITH THE EXPORT ADMINISTRATION REGULATIONS. DIVERSION CONTRARY TO U.S. LAW PROHIBITED.