

## Heatsink for Amplifier Models FMAM5110, FMAM5113, FMAM5115

The FMAMG5069F is an Aluminum Finned Heatsink with two integrated Cooling Fans that maintains forced air flow for optimum thermal efficiency. Each Cooling Fan is DC controlled and requires a typical voltage level of +28 VDC and DC Current of 0.35 Amps. A DC voltage wire is included with alligator spring clamps to connect with a power supply. Airflow for each fan is rated at 130 CFM and noise is rated at 65.5 dba. This heatsink/cooling fan module is specifically designed to be used with High Power Amplifier models FMAM5110, FMAM5113, and FMAM5115. This heatsink module is purchased separately and has tapped screw holes on the mounting plate that match the outline mounting holes for these amplifier models. All the necessary mounting hardware is included (M4 round head screws & washers). Step by step mounting instructions on page 2 below. Pasternack highly recommends using this heatsink/cooling fan assembly with these amplifier models to effectively dissipate generated heat and ensure normal baseplate operating temperature range is maintained to ensure optimum and reliable performance.

### Specifications Table

Description	Min	Typ	Max	Units
DC Voltage	24	28	30	Volts
DC Current*		1.6		A

\*Both Fans

### Mechanical Specifications

#### Size

Length	7.8 in [198.12 mm]
Width	5.9 in [149.86 mm]
Height	3.9 in [99.06 mm]
Weight	8.6 lbs [3.9 kg]

Heatsink for Amplifier Models FMAM5110, FMAM5113, FMAM5115 from Fairview Microwave is in-stock and available to ship same-day. All of our RF/microwave products are available off-the-shelf from our ISO 9001:2008 certified facilities in Lewisville, Texas. Fairview Microwave is RF on-demand.

For additional information on this product, please click the following link: [Heatsink for Amplifier Models FMAM5110, FMAM5113, FMAM5115 FMAMG5069F](#)

URL: <https://www.fairviewmicrowave.com/undefined-url-for-pn-fmamg5069f-fmamg5069f-p.aspx>

The information contained in this document is accurate to the best of our knowledge and representative of the part described herein. It may be necessary to make modifications to the part and/or the documentation of the part, in order to implement improvements. Fairview Microwave reserves the right to make such changes as required. Unless otherwise stated, all specifications are nominal. Fairview Microwave does not make any representation or warranty regarding the suitability of the part described herein for any particular purpose, and Fairview Microwave does not assume any liability arising out of the use of any part or documentation.



### Features:

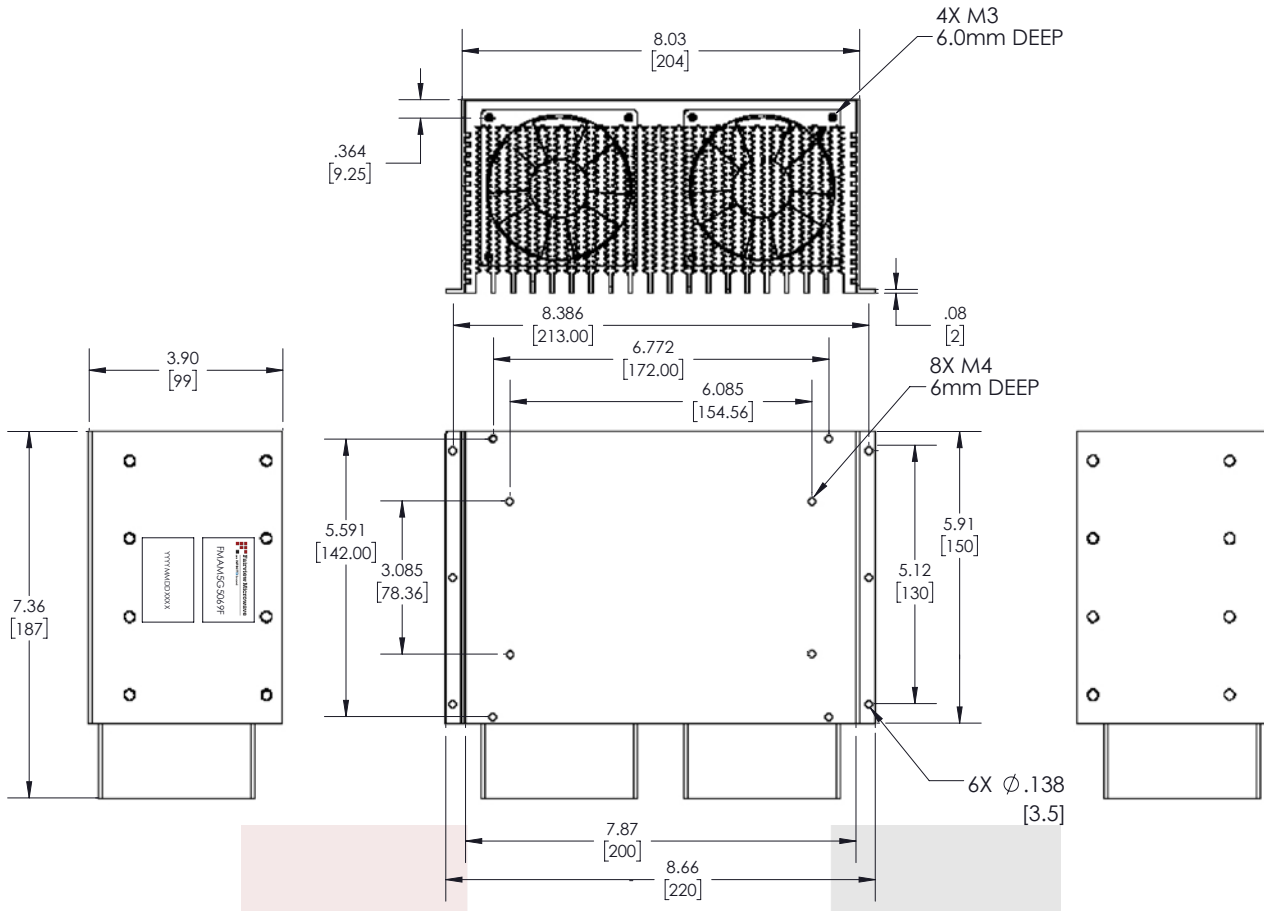
- Aluminum Finned Heatsink with 2 Integrated Cooling Fans
- Voltage: +28 VDC
- Current: 1.6 Amps typ ( both fans)
- Designed Specifically for 3 Pasternack Power Amplifier Models
- Maintains Normal Baseplate Operating Temperature
- Pre-Tapped Mounting Holes
- Mounting Screws and Washers are included

### Applications:

- Military Radio
- Communication Systems
- High Gain Driver Power Amplifier
- Test and Measurement Applications

Fairview Microwave  
301 Leora Ln., Suite 100  
Lewisville, TX 75056  
Tel: 1-800-715-4396 / (972) 649-6678  
Fax: (972) 649-6689  
[www.fairviewmicrowave.com](http://www.fairviewmicrowave.com)  
[sales@fairviewmicrowave.com](mailto:sales@fairviewmicrowave.com)

REVISIONS			
REV.	DESCRIPTION	DATE	APPROVED
A	INITIAL RELEASE	02/08/2022	TGALLA



**NOTES:**

1. USED WITH MODELS FMAM5110, FMAM5113, AND FMAM5115

THESE COMMODITIES, TECHNOLOGY OR SOFTWARE WERE EXPORTED FROM THE UNITED STATES IN ACCORDANCE WITH THE EXPORT ADMINISTRATION REGULATIONS. DIVERSION CONTRARY TO U.S. LAW PROHIBITED.

<p><b>Fairview Microwave</b> an INFINIT<sup>®</sup> brand</p>	<p>UNLESS OTHERWISE SPECIFIED LEADING DIMENSIONS ARE INCHES DIMENSIONS IN [ ] ARE MILLIMETERS</p> <p>TOLERANCES:</p> <p>.X = ±.2 [5.08] FRACTIONS ± 1/32 .XX = ±.02 [.51] ANGLES ± 1° .XXX = ±.005 [.13]</p> <p>CABLE LENGTH (L) TOLERANCES:</p> <p>L ≤ 12 [305] = +1 [25] / -0 12 [305] &lt; L ≤ 60 [1524] = +2 [51] / -0 60 [1524] &lt; L ≤ 120 [3048] = +4 [102] / -0 120 [3048] &lt; L ≤ 300 [7620] = +6 [152] / -0 300 [7620] &lt; L = +5%L / -0</p>	<p>THIRD-ANGLE PROJECTION</p> <p>THE INFORMATION AND DESIGN IN THIS DOCUMENT IS THE PROPERTY OF FAIRVIEW MICROWAVE CORPORATION. ALL RIGHTS RESERVED.</p>		
	<p>TITLE</p> <p>Heatsink for Amplifier Models FMAM5110, FMAM5113, FMAM5115</p>	<p>ALL DIMENSIONS SHOWN ARE FOR REFERENCE ONLY.</p> <p>SCALE: N/A</p>	<p>SHEET 1 OF 1</p>	
<p>SIZE A</p>	<p>CAGE CODE 3FKR5</p>	<p>DRAWN BY BPUCHASKI</p>	<p>ITEM NO. FMAMG5069F</p>	<p>REV A</p>

PEP  
T-Rev.D