

Miter RA 2.4mm Male to 3.5mm Male Adapter with Passivated Stainless Steel Body, DC to 34.5 GHz

Miter RA 2.4mm male to 3.5mm male adapter part number FMAD1554 from Fairview Microwave is in-stock and ships same day. This Fairview 2.4mm to 3.5mm adapter has a male to male gender configuration and is built of durable stainless steel. FMAD1554 2.4mm male to 3.5mm male adapter operates to 34.5 GHz. The Fairview Microwave RF adapter provides excellent VSWR of 1.25:1 maximum. The 2.4mm connector mates mechanically with commercially available 1.85mm (V) connectors. The 3.5mm connector mates mechanically with commercially available SMA and 2.92mm (K) connectors. This miter right angle 2.4mm to 3.5mm adapter allows for easier connections in tight spaces.

RF adapters can be used to enable connections between two connector types that would otherwise not mate. Certain RF adapter configurations can also be used to protect connectors on expensive equipment where the number of connect and disconnect cycles is high. An RF, microwave, or millimeter wave adapter is connected to the equipment and the commonly changed connection is made with the adapter which can be easily replaced when it wears out after high usage; such adapters are referred to as connector savers. Fairview Microwave also offers bulkhead, panel mount, hermetically sealed, reverse polarity, and isolated ground adapter varieties to serve all of your RF, microwave and millimeter wave needs.



Configuration:

- 2.4mm Male Connector 1
- 3.5mm Male Connector 2
- 50 Ohm
- Miter Right Angle Body Geometry

Features:

- VSWR of 1.25:1 max up to 34.5 GHz
- Gold over Nickel Plated Beryllium Copper Contact

Applications:

- Enables Between Series Connections
- General Purpose Test

Electrical Specifications

Description	Min	Typ	Max	Units
Frequency Range	DC		34.5	GHz
VSWR			1.25:1	

Mechanical Specifications

Size	
Length	0.700 in [17.8 mm]
Width	0.32 in [8.13 mm]
Height	0.71 in [18.03 mm]
Weight	0.023 lbs [10.43 g]

Description	Connector 1	Connector 2
Type	2.4mm Male	3.5mm Male
Polarity	Standard	Standard
Mating Cycles	500	500
Hex Size	5/16 in.	5/16 in.

Material Specifications

Description	Connector 1	Connector 2
Type	2.4mm Male	3.5mm Male
Contact Material	Beryllium Copper	Beryllium Copper
Contact Plating	Gold over Nickel	Gold over Nickel
Insulation Material	Oxide-Noryl	Oxide-Noryl
Body Material	Passivated Stainless Steel	Passivated Stainless Steel
Coupling Nut Material	Passivated Stainless Steel	Passivated Stainless Steel

Fairview Microwave
301 Leora Ln., Suite 100
Lewisville, TX 75056
Tel: 1-800-715-4396 / (972) 649-6678
Fax: (972) 649-6689
www.fairviewmicrowave.com
sales@fairviewmicrowave.com

Compliance Certifications (see [product page](#) for current document)

Plotted and Other Data

Notes:

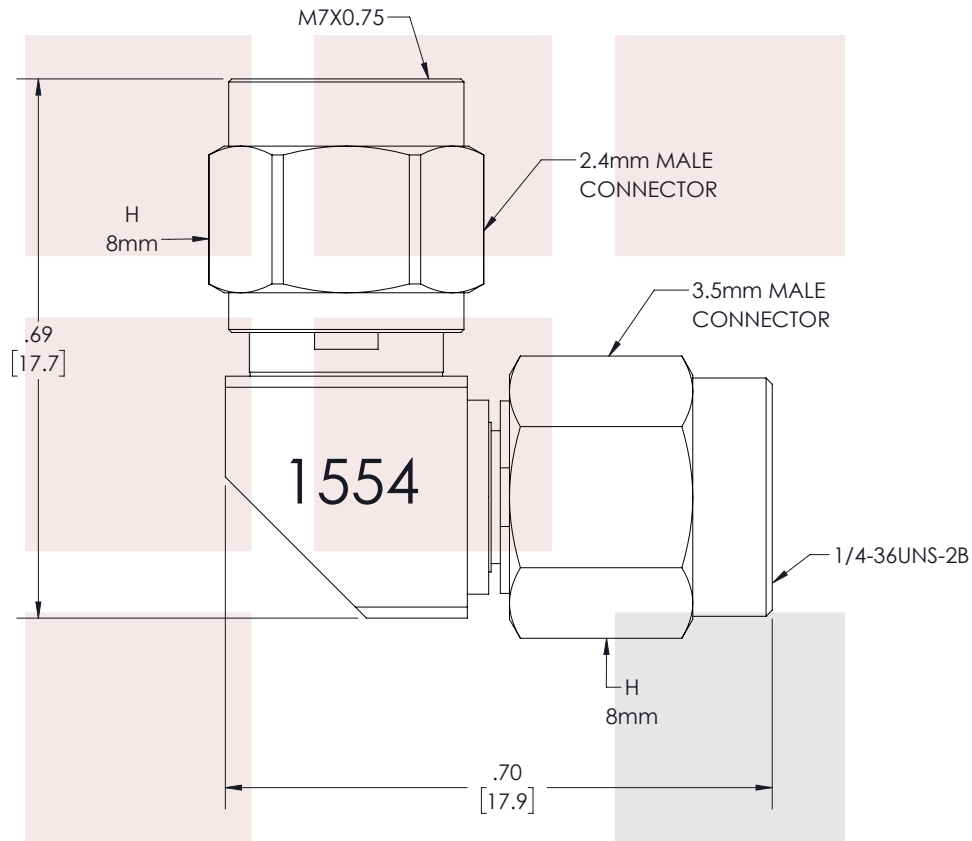
Miter RA 2.4mm Male to 3.5mm Male Adapter with Passivated Stainless Steel Body, DC to 34.5 GHz from Fairview Microwave is in-stock and available to ship same-day. All of our RF/microwave products are available off-the-shelf from our ISO 9001:2008 certified facilities in Lewisville, Texas. Fairview Microwave is RF on-demand.

For additional information on this product, please click the following link: [Miter RA 2.4mm Male to 3.5mm Male Adapter with Passivated Stainless Steel Body, DC to 34.5 GHz FMAD1554](#)

URL: <https://www.fairviewmicrowave.com/2.4mm-male-3.5mm-male-right-angle-adapter-fmad1554-p.aspx>

The information contained in this document is accurate to the best of our knowledge and representative of the part described herein. It may be necessary to make modifications to the part and/or the documentation of the part, in order to implement improvements. Fairview Microwave reserves the right to make such changes as required. Unless otherwise stated, all specifications are nominal. Fairview Microwave does not make any representation or warranty regarding the suitability of the part described herein for any particular purpose, and Fairview Microwave does not assume any liability arising out of the use of any part or documentation.

REVISIONS			
REV.	DESCRIPTION	DATE	APPROVED
A	INITIAL RELEASE	07/27/2022	AGANWANI



THESE COMMODITIES, TECHNOLOGY OR SOFTWARE WERE EXPORTED FROM THE UNITED STATES IN ACCORDANCE WITH THE EXPORT ADMINISTRATION REGULATIONS. DIVERSION CONTRARY TO U.S. LAW PROHIBITED.

TITLE

Miter RA 2.4mm Male to 3.5mm Male Adapter with Passivated Stainless Steel Body, DC to 34.5 GHz

UNLESS OTHERWISE SPECIFIED LEADING DIMENSIONS ARE INCHES
DIMENSIONS IN [] ARE MILLIMETERS

TOLERANCES: CABLE LENGTH (L) TOLERANCES:

.X = ±.2 [.508]	FRACTIONS	L ≤ 12 [305] = +1 [25] / -0
.XX = ±.02 [.51]	± 1/32	12 [305] < L ≤ 60 [1524] = +2 [51] / -0
.XXX = ±.005 [.13]	ANGLES ± 1°	60 [1524] < L ≤ 120 [3048] = +4 [102] / -0
		120 [3048] < L ≤ 300 [7620] = +6 [152] / -0
		300 [7620] < L = +5%L / -0

THIRD-ANGLE PROJECTION



THE INFORMATION AND DESIGN IN THIS DOCUMENT IS THE PROPERTY OF FAIRVIEW MICROWAVE CORPORATION. ALL RIGHTS RESERVED.

SHEET 1 OF 1

ALL DIMENSIONS SHOWN ARE FOR REFERENCE ONLY.

SCALE N/A

SIZE A	CAGE CODE 3FKR5	DRAWN BY BPUCHASKI	ITEM NO. FMAD1554	REV A
-----------	--------------------	-----------------------	----------------------	----------

T-Rev.D