

## Hermetically Sealed N Female to SMA Female Bulkhead Adapter MIL-STD-202, Method 206 11GHz VSWR1.35, MIL-STD 348B

Hermetically sealed type N female to SMA female bulkhead adapter part number FMAD1350 from Fairview Microwave is in-stock and ships same day. This Fairview type N to SMA adapter has a female to female gender configuration. FMAD1350 type N female to SMA female adapter operates to 11 GHz. The Fairview Microwave RF adapter provides good VSWR of 1.35:1 maximum. Our RF type N to SMA bulkhead adapter allows designers to create external connections on their product enclosures, and can be used in a variety of other rack mount and panel mount applications. The Fairview Microwave hermetic type N to SMA adapter prevents the leakage of gases, making it suitable for high pressure or vacuum applications or whenever an airtight seal is required.

RF adapters can be used to enable connections between two connector types that would otherwise not mate. Certain RF adapter configurations can also be used to protect connectors on expensive equipment where the number of connect and disconnect cycles is high. An RF, microwave, or millimeter wave adapter is connected to the equipment and the commonly changed connection is made with the adapter which can be easily replaced when it wears out after high usage; such adapters are referred to as connector savers. Fairview Microwave also offers bulkhead, panel mount, hermetically sealed, reverse polarity, and isolated ground adapter varieties to serve all of your RF, microwave and millimeter wave needs.

### Electrical Specifications

Description	Min	Typ	Max	Units
Frequency Range	DC		11	GHz
VSWR			1.35:1	
Insertion Loss			0.16	dB
Operating Voltage (AC)			500	Vrms
DWV (AC)			1,500	Vrms
Insulation Resistance	5,000			MOhms

### Mechanical Specifications

<b>Size</b>	
Length	1.25 in [31.75 mm]
Width	0.87 in [22.10 mm]
Height	0.87 in [22.10 mm]
Weight	0.01 lbs [4.54 g]

Description	Connector 1	Connector 2
Type	N Female	SMA Female
Polarity	Standard	Standard
Connector Option	Hermetically Sealed	Hermetically Sealed
Mating Cycles, Min	500	100
Mating Torque	6 to 10 in-lbs [0.68 to 1.13 Nm]	4 in-lbs min [0.45 Nm] min
Contact Captivation Axial Force, Min	6.3 lbs [2.86 kg]	6.1 lbs [2.77 kg]
Coupling Proof Torque	15 in-lbs [1.7 Nm]	5.3 in-lbs [0.6 Nm]



### Configuration:

- N Female Connector 1
- SMA Female Connector 2
- 50 Ohm
- Straight Body Geometry
- Bulkhead Mount Method

### Features:

- VSWR of 1.35:1 max up to 11 GHz
- Hermetically Sealed
- Gold Plated Beryllium Copper Contact

### Applications:

- Enables Between Series Connections
- General Purpose Test
- Vacuum Test Environment
- Rack Mounted Equipment

Fairview Microwave  
301 Leora Ln., Suite 100  
Lewisville, TX 75056  
Tel: 1-800-715-4396 / (972) 649-6678  
Fax: (972) 649-6689  
[www.fairviewmicrowave.com](http://www.fairviewmicrowave.com)  
[sales@fairviewmicrowave.com](mailto:sales@fairviewmicrowave.com)

**Material Specifications**

Description	Connector 1	Connector 2
Type	N Female	SMA Female
Contact Material	Beryllium Copper	Beryllium Copper
Contact Plating	Gold	Gold
Insulation Material	PEI	PEI
Outer Contact Material	Brass	Brass
Outer Contact Plating	Tri-Metal	Tri-Metal
Body Material	Brass	Brass
Body Plating	Tri-Metal	Tri-Metal

**Environmental Specifications**
**Temperature**

Operating Range

Humidity

Thermal Shock

Salt Spray

Hermetic Seal

-65 to +165 deg C

MIL-STD-202, Method 206

MIL-STD-202, Method 107, Condition B

MIL-STD-202, Method 101, Condition B

 1\*10<sup>-8</sup> cc/sec of HELIUM at 1 ATM

**Compliance Certifications** (see [product page](#) for current document)

**Plotted and Other Data**

Notes:

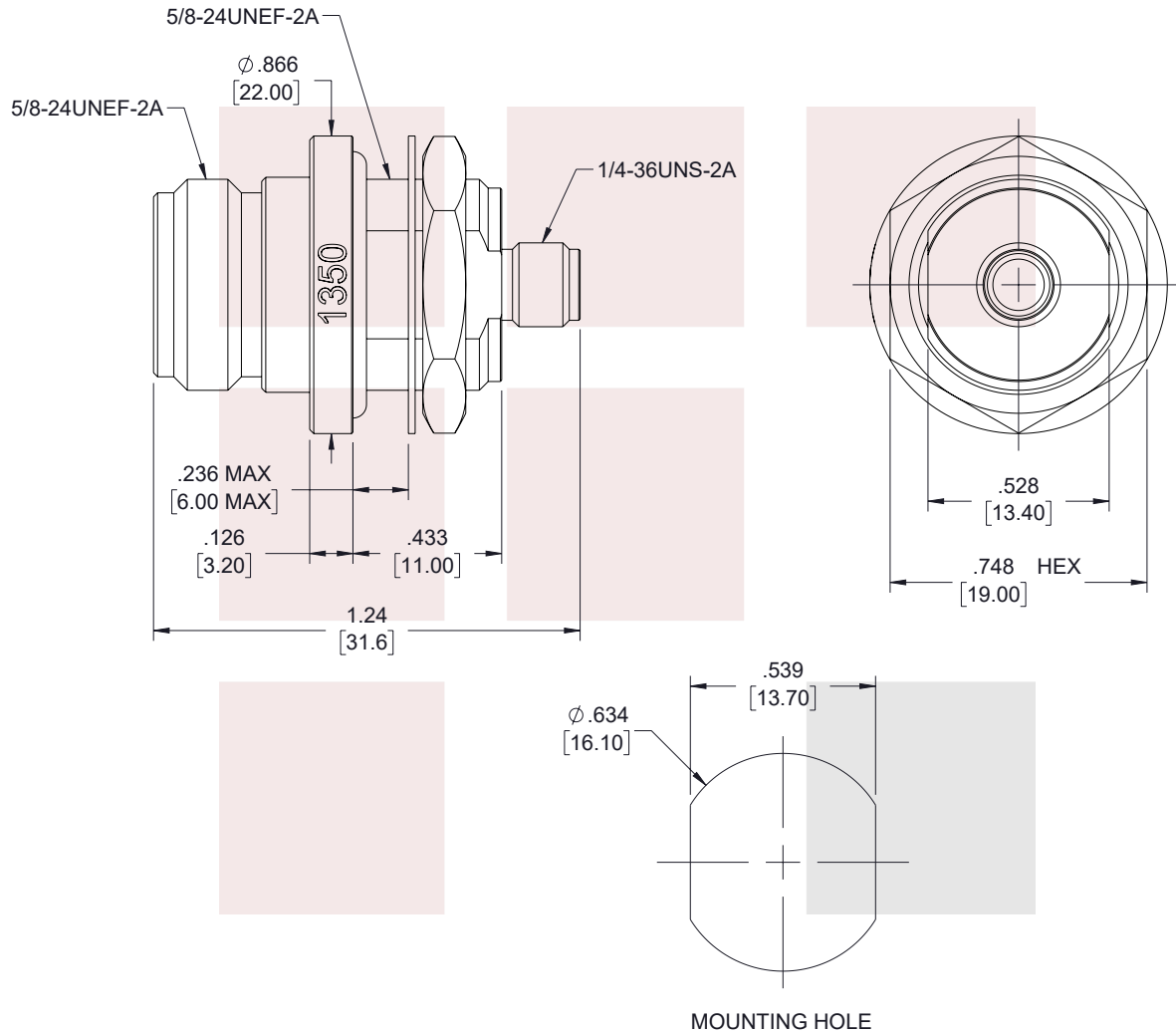
Hermetically Sealed N Female to SMA Female Bulkhead Adapter MIL-STD-202, Method 206 11GHz VSWR1.35, MIL-STD 348B from Fairview Microwave is in-stock and available to ship same-day. All of our RF/microwave products are available off-the-shelf from our ISO 9001:2008 certified facilities in Lewisville, Texas. Fairview Microwave is RF on-demand.

For additional information on this product, please click the following link: [Hermetically Sealed N Female to SMA Female Bulkhead Adapter MIL-STD-202, Method 206 11GHz VSWR1.35, MIL-STD 348B FMAD1350](#)

URL: <https://www.fairviewmicrowave.com/hermetically-sealed-n-female-to-sma-female-bulkhead-adapter-mil-std-202-method-206-11ghz-vswr1.35-mil-std-348b-fmad1350-p.aspx>

The information contained in this document is accurate to the best of our knowledge and representative of the part described herein. It may be necessary to make modifications to the part and/or the documentation of the part, in order to implement improvements. Fairview Microwave reserves the right to make such changes as required. Unless otherwise stated, all specifications are nominal. Fairview Microwave does not make any representation or warranty regarding the suitability of the part described herein for any particular purpose, and Fairview Microwave does not assume any liability arising out of the use of any part or documentation.

REVISIONS			
REV.	DESCRIPTION	DATE	APPROVED
A	INITIAL RELEASE	12/12/2022	AGANWANI



THESE COMMODITIES, TECHNOLOGY OR SOFTWARE WERE EXPORTED FROM THE UNITED STATES IN ACCORDANCE WITH THE EXPORT ADMINISTRATION REGULATIONS. DIVERSION CONTRARY TO U.S. LAW PROHIBITED.

TITLE

UNLESS OTHERWISE SPECIFIED LEADING DIMENSIONS ARE INCHES  
DIMENSIONS IN [ ] ARE MILLIMETERS

TOLERANCES: CABLE LENGTH (L) TOLERANCES:

.X = ±.2 [5.08]	FRACTIONS	L ≤ 12 [305] = +1 [25] / -0
.XX = ±.02 [.51]	± 1/32	12 [305] < L ≤ 60 [1524] = +2 [51] / -0
.XXX = ±.005 [.13]	ANGLES ± 1°	60 [1524] < L ≤ 120 [3048] = +4 [102] / -0
		120 [3048] < L ≤ 300 [7620] = +6 [152] / -0
		300 [7620] < L = +5%L / -0

THIRD-ANGLE PROJECTION



THE INFORMATION AND DESIGN IN THIS DOCUMENT IS THE PROPERTY OF FAIRVIEW MICROWAVE CORPORATION. ALL RIGHTS RESERVED.

SHEET 1 OF 1

ALL DIMENSIONS SHOWN ARE FOR REFERENCE ONLY.

SCALE N/A

SIZE A	CAGE CODE 3FKR5	DRAWN BY HBAKKE	ITEM NO. FMAD1350	REV A
-----------	--------------------	--------------------	----------------------	----------

T-Rev.D