

Hermetically Sealed 2.92mm Female to 2.92mm Female Bulkhead Adapter MIL-STD-202, Method 206 40GHz VSWR1.25, MIL-STD-348B



**FMAD1341**

**Configuration**

- 2.92mm Female Connector 1
- 2.92mm Female Connector 2
- 50 Ohms Impedance
- Straight Body Geometry
- Bulkhead Mount Method

**Features**

- VSWR of 1.25:1 max up to 40 GHz
- Hermetically Sealed
- 2.92mm interface meets MIL-STD-348B
- Gold Plated Beryllium Copper Contact

**Applications**

- General Purpose Test
- Vacuum Test Environment
- Rack Mounted Equipment

**Description**

Hermetically sealed 2.92mm female to 2.92mm female bulkhead adapter part number FMAD1341 from Fairview Microwave is in-stock and ships same day. This Fairview 2.92mm to 2.92mm adapter has a female to female gender configuration and is built of durable stainless steel. FMAD1341 2.92mm female to 2.92mm female adapter operates to 40 GHz. The Fairview Microwave RF adapter provides excellent VSWR of 1.25:1 maximum. The 2.92mm connector mates mechanically with commercially available SMA and 3.5mm connectors. Our RF 2.92mm to 2.92mm bulkhead adapter allows designers to create external connections on their product enclosures, and can be used in a variety of other rack mount and panel mount applications. The Fairview Microwave hermetic 2.92mm to 2.92mm adapter prevents the leakage of gases, making it suitable for high pressure or vacuum applications or whenever an airtight seal is required.

RF adapters can be used to enable connections between two connector types that would otherwise not mate. Certain RF adapter configurations can also be used to protect connectors on expensive equipment where the number of connect and disconnect cycles is high. An RF, microwave, or millimeter wave adapter is connected to the equipment and the commonly changed connection is made with the adapter which can be easily replaced when it wears out after high usage; such adapters are referred to as connector savers. Fairview Microwave also offers bulkhead, panel mount, hermetically sealed, reverse polarity, and isolated ground adapter varieties to serve all of your RF, microwave and millimeter wave needs.

**Electrical Specifications**

Description	Minimum	Typical	Maximum	Units
Frequency Range	DC		40	GHz
Impedance		50		Ohms
VSWR			1.25:1	
Insertion Loss			0.5	dB
Operating Voltage (AC)			250	Vrms
Dielectric Withstanding Voltage (AC)			750	Vrms
Insulation Resistance	5,000			MOhms
RF Leakage			100	dB

**Mechanical Specifications**

**Size**

- Length 0.89 in [22.61 mm]
- Width 0.56 in [14.22 mm]

Hermetically Sealed 2.92mm Female to 2.92mm  
Female Bulkhead Adapter MIL-STD-202, Method  
206 40GHz VSWR1.25, MIL-STD-348B



## FMAD1341

Height	0.56 in [14.22 mm]	
Weight	0.08 lbs [36.29 g]	
Description	Connector 1	Connector 2
Polarity	Standard	Standard
Interface Specification	MIL-STD-348B	MIL-STD-348B
Connector Option	Hermetically Sealed	Hermetically Sealed
Mating Cycles, Min	500	500
Mating Torque	11.47 in-lbs 1.30 Nm min	11.47 in-lbs 1.30 Nm min
Contact Captivation Axial Force, Min	4.9 lbs [2.22 kg]	4.9 lbs [2.22 kg]
Coupling Proof Torque	15 in-lbs [1.7 Nm]	15 in-lbs [1.7 Nm]

### Material Specifications

Description	Connector 1		Connector 2	
	Material	Plating	Material	Plating
Type	2.92mm Female		2.92mm Female	
Contact	Beryllium Copper	Gold	Beryllium Copper	Gold
Insulation	PEI		PEI	
Outer Conductor	Stainless Steel	Passivated	Stainless Steel	Passivated
Body	Stainless Steel	Passivated	Stainless Steel	Passivated

### Environmental Specifications

**Temperature**

Operating Range

Humidity

Thermal Shock

Salt Spray

Hermetic Seal

-30 to +165 °C

MIL-STD-202, Method 206

MIL-STD-202, Method 107, Condition B

MIL-STD-202, Method 101, Condition B

1\*10<sup>-8</sup> cc/sec of HELIUM at 1 ATM

Hermetically Sealed 2.92mm Female to 2.92mm  
Female Bulkhead Adapter MIL-STD-202, Method  
206 40GHz VSWR1.25, MIL-STD-348B



## FMAD1341

**Compliance Certifications** (see [product page](#) for current document)

### Plotted and Other Data

Hermetically Sealed 2.92mm Female to 2.92mm Female Bulkhead Adapter MIL-STD-202, Method 206 40GHz VSWR1.25, MIL-STD-348B from Fairview Microwave is in-stock and available to ship same-day. All of our RF/microwave products are available off-the-shelf from our ISO 9001:2008 certified facilities in Lewisville, Texas. Fairview Microwave is RF on-demand.

For additional information on this product, please click the following link: [Hermetically Sealed 2.92mm Female to 2.92mm Female Bulkhead Adapter MIL-STD-202, Method 206 40GHz VSWR1.25, MIL-STD-348B FMAD1341](#)

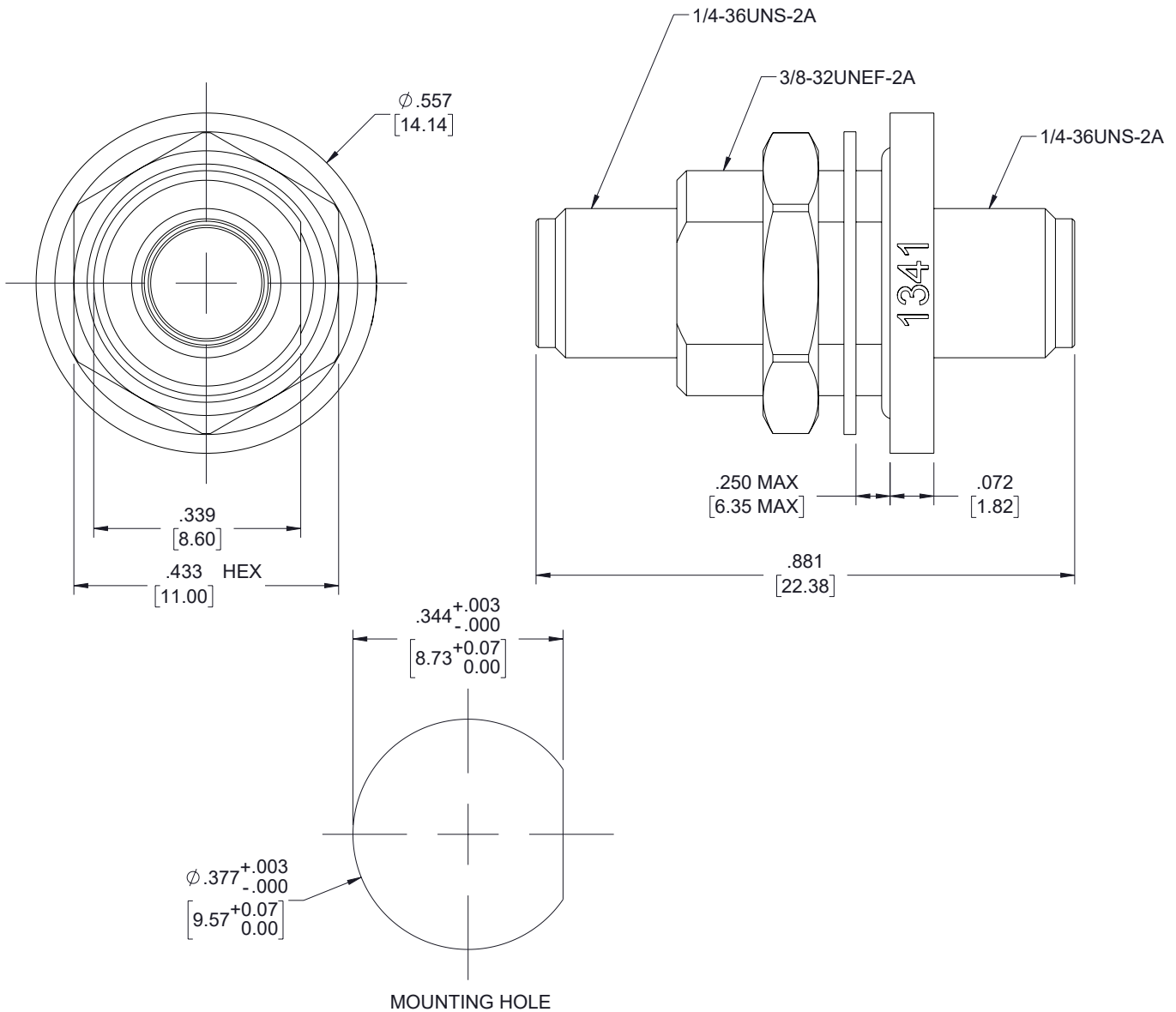
URL: <https://www.fairviewmicrowave.com/product/rf-adapters/hermetically-sealed-2.92mm-female-to-2.92mm-female-bulkhead-adapter-mil-std-202-method-206-40ghz-vswr1.25-mil-std-348b-with-stainless-steel-body-fmad1341.html>

The information contained within this document is accurate to the best of our knowledge and representative of the part described herein. It may be necessary to make modifications to the part and/or the documentation of the part in order to implement improvements. Fairview Microwave reserves the right to make such changes as required. Unless otherwise stated, all specifications are nominal. Fairview Microwave does not make any representation or warranty regarding the suitability of the part described herein for any particular purpose, and Fairview Microwave does not assume liability arising out of the use of any part or document.

# FMAD1341 CAD Drawing

Hermetically Sealed 2.92mm Female to 2.92mm Female Bulkhead Adapter MIL-STD-202, Method 206 40GHz VSWR1.25, MIL-STD-348B

REVISIONS			
REV.	DESCRIPTION	DATE	APPROVED
A	INITIAL RELEASE	12/12/2022	AGANWANI



THESE COMMODITIES, TECHNOLOGY OR SOFTWARE WERE EXPORTED FROM THE UNITED STATES IN ACCORDANCE WITH THE EXPORT ADMINISTRATION REGULATIONS. DIVERSION CONTRARY TO U.S. LAW PROHIBITED.



TITLE

UNLESS OTHERWISE SPECIFIED LEADING DIMENSIONS ARE INCHES  
DIMENSIONS IN [ ] ARE MILLIMETERS

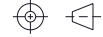
TOLERANCES:

.X = ± .2 [5.08] FRACTIONS ± 1/32  
.XX = ± .02 [.51] ANGLES ± 1°  
.XXX = ± .005 [.13]

CABLE LENGTH (L) TOLERANCES:

L ≤ 12 [305] = +1 [25] / -0  
12 [305] < L ≤ 60 [1524] = +2 [51] / -0  
60 [1524] < L ≤ 120 [3048] = +4 [102] / -0  
120 [3048] < L ≤ 300 [7620] = +6 [152] / -0  
300 [7620] < L = +5%L / -0

THIRD-ANGLE PROJECTION



THE INFORMATION AND DESIGN IN THIS DOCUMENT IS THE PROPERTY OF FAIRVIEW MICROWAVE CORPORATION. ALL RIGHTS RESERVED.

SHEET 1 OF 1

SCALE

N/A

ALL DIMENSIONS SHOWN ARE FOR REFERENCE ONLY.

SIZE	CAGE CODE	DRAWN BY	ITEM NO.	REV
A	3FKR5	HBAKKE	FMAD1341	A

T-Rev.D