

Low PIM 7/16 DIN Female to 7/16 DIN Female Bulkhead Adapter

7/16 DIN female to 7/16 DIN female bulkhead adapter part number FMAD1280 from Fairview Microwave is in-stock and ships same day. This Fairview 7/16 DIN to 7/16 DIN adapter has a female to female gender configuration in a low PIM design. FMAD1280 7/16 DIN female to 7/16 DIN female adapter operates to 6 GHz. The Fairview Microwave RF adapter provides a passive intermodulation of -160 dBc typical. Our RF 7/16 DIN to 7/16 DIN bulkhead adapter allows designers to create external connections on their product enclosures, and can be used in a variety of other rack mount and panel mount applications.

RF adapters can be used to enable connections between two connector types that would otherwise not mate. Certain RF adapter configurations can also be used to protect connectors on expensive equipment where the number of connect and disconnect cycles is high. An RF, microwave, or millimeter wave adapter is connected to the equipment and the commonly changed connection is made with the adapter which can be easily replaced when it wears out after high usage; such adapters are referred to as connector savers. Fairview Microwave also offers bulkhead, panel mount, hermetically sealed, reverse polarity, and isolated ground adapter varieties to serve all of your RF, microwave and millimeter wave needs.

Electrical Specifications

| Description | Min | Typ | Max | Units |
|-------------------------|--------|-------|-------|-------|
| Frequency Range | DC | | 6 | GHz |
| VSWR | | 1.2:1 | | |
| Passive Intermodulation | | -160 | | dBc |
| DWV (AC) | | | 2,500 | Vrms |
| Insulation Resistance | 10,000 | | | MOhms |

Mechanical Specifications

| Size | |
|--------|--------------------|
| Length | 1.930 in [49.0 mm] |
| Width | 1.76 in [44.7 mm] |
| Weight | 0.03 lbs [13.61 g] |

| Description | Connector 1 | Connector 2 |
|-------------|-----------------|-----------------|
| Type | 7/16 DIN Female | 7/16 DIN Female |
| Polarity | Standard | Standard |



Configuration:

- 7/16 DIN Female Connector 1
- 7/16 DIN Female Connector 2
- 50 Ohm
- Low PIM Design
- Straight Body Geometry
- Bulkhead Mount Method

Features:

- Typical PIM levels of -160 dBc
- Silver Plated Beryllium Copper Contact

Applications:

- General Purpose Test
- Rack Mounted Equipment
- Low PIM Applications

Fairview Microwave
301 Leora Ln., Suite 100
Lewisville, TX 75056
Tel: 1-800-715-4396 / (972) 649-6678
Fax: (972) 649-6689
www.fairviewmicrowave.com
sales@fairviewmicrowave.com

Material Specifications

| Description | Connector 1 | Connector 2 |
|------------------------|------------------|------------------|
| Type | 7/16 DIN Female | 7/16 DIN Female |
| Contact Material | Beryllium Copper | Beryllium Copper |
| Contact Plating | Silver | Silver |
| Insulation Material | PTFE | PTFE |
| Outer Contact Material | Brass | Brass |
| Outer Contact Plating | Tri-Metal | Tri-Metal |
| Body Material | Brass | Brass |
| Body Plating | Tri-Metal | Tri-Metal |
| Gasket Material | Silicone Rubber | Silicone Rubber |

Environmental Specifications

Temperature

Operating Range

-45 to +120 deg C

Compliance Certifications (see [product page](#) for current document)

Plotted and Other Data

Notes:

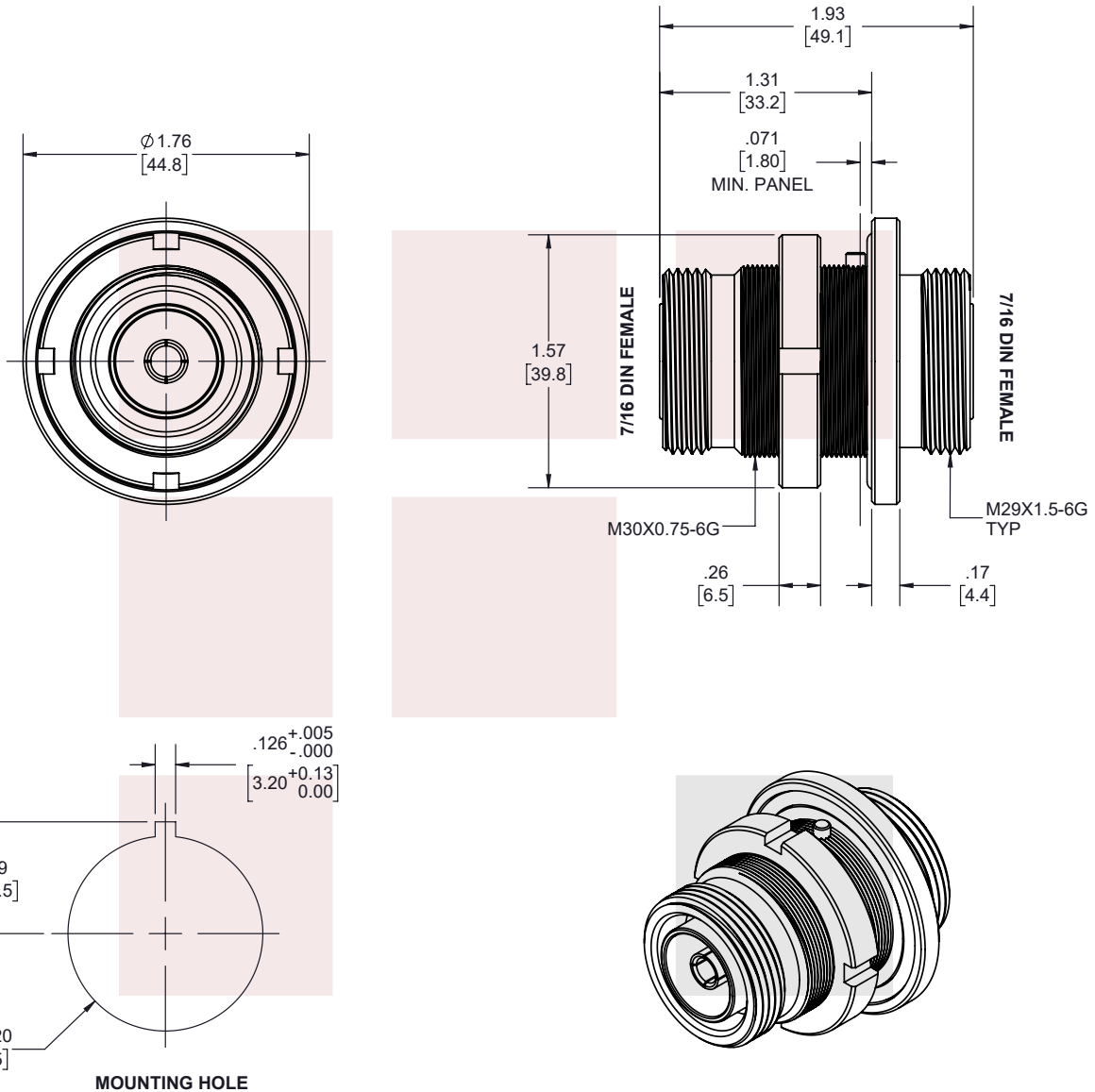
Low PIM 7/16 DIN Female to 7/16 DIN Female Bulkhead Adapter from Fairview Microwave is in-stock and available to ship same-day. All of our RF/microwave products are available off-the-shelf from our ISO 9001:2008 certified facilities in Lewisville, Texas. Fairview Microwave is RF on-demand.

For additional information on this product, please click the following link: [Low PIM 7/16 DIN Female to 7/16 DIN Female Bulkhead Adapter FMAD1280](#)

URL: <https://www.fairviewmicrowave.com/low-pim-7-16-din-female-to-7-16-din-female-bulkhead-adapter-fmad1280-p.aspx>

The information contained in this document is accurate to the best of our knowledge and representative of the part described herein. It may be necessary to make modifications to the part and/or the documentation of the part, in order to implement improvements. Fairview Microwave reserves the right to make such changes as required. Unless otherwise stated, all specifications are nominal. Fairview Microwave does not make any representation or warranty regarding the suitability of the part described herein for any particular purpose, and Fairview Microwave does not assume any liability arising out of the use of any part or documentation.

| REVISIONS | | | |
|-----------|-----------------|-----------|------------|
| REV. | DESCRIPTION | DATE | APPROVED |
| A | INITIAL RELEASE | 10/1/2021 | A. GANWANI |



THESE COMMODITIES, TECHNOLOGY OR SOFTWARE WERE EXPORTED FROM THE UNITED STATES IN ACCORDANCE WITH THE EXPORT ADMINISTRATION REGULATIONS. DIVERSION CONTRARY TO U.S. LAW PROHIBITED.

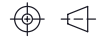
TITLE
Low PIM 7/16 DIN Female to 7/16 DIN Female Bulkhead Adapter

UNLESS OTHERWISE SPECIFIED LEADING DIMENSIONS ARE INCHES
DIMENSIONS IN [] ARE MILLIMETERS

TOLERANCES: CABLE LENGTH (L) TOLERANCES:

| | | |
|----------------------|-------------|---|
| .X = ± .2 [5.08] | FRACTIONS | L ≤ 12 [305] = +1 [25] / -0 |
| .XX = ± .02 [.51] | ± 1/32 | 12 [305] < L ≤ 60 [1524] = +2 [51] / -0 |
| .XXX = ± .005 [.13] | ANGLES ± 1° | 60 [1524] < L ≤ 120 [3048] = +4 [102] / -0 |
| | | 120 [3048] < L ≤ 300 [7620] = +6 [152] / -0 |
| | | 300 [7620] < L = +5%L / -0 |

THIRD-ANGLE PROJECTION



THE INFORMATION AND DESIGN IN THIS DOCUMENT IS THE PROPERTY OF FAIRVIEW MICROWAVE CORPORATION. ALL RIGHTS RESERVED.

SHEET 1 OF 1

ALL DIMENSIONS SHOWN ARE FOR REFERENCE ONLY.

SCALE N/A

| | | | | |
|-----------|--------------------|--------------------|----------------------|----------|
| SIZE A | CAGE CODE 3FKR5 | DRAWN BY K.DANG | ITEM NO. FMAD1280 | REV A |
|-----------|--------------------|--------------------|----------------------|----------|

T-Rev.D