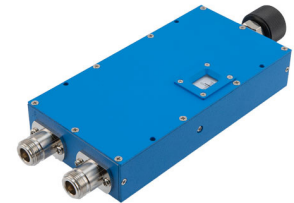


Adjustable Phase Shifter, DC to 4GHz, With an Adjustable Phase of 60 Deg. Per GHz with N-type connector

Fairview Microwave FM82P5012 is a phase shifter that has phase adjustment range of 60 degrees per GHz with precision rotary dial design for controllable phase adjustment across a frequency range from 0 to 4GHz. With N-Type female connectors, this RF phase shifter design is tried and true technology that offers exceptional RF performance characteristics that include 1 dB maximum insertion loss and a maximum VSWR of 1.4:1. Phase shifters are part of Pasternack's comprehensive RF passive product offerings which are available in stock and ready for same-day shipment.



Features:

- Phase Tuning Range: 0 to 240 degrees
- Rotary Dial Design for Continuous Adjustment
- Frequency Range from DC to 4GHz
- N-Type Female Connectorized Design
- Max VSWR 1.4:1
- Max Power Rating: 100 Watts (CW)
- Insertion Loss: 1dB Max

Electrical Specifications

Description	Min	Typ	Max	Units
Frequency Range	DC		4	GHz
Impedance		50		Ohms
Phase Shift	0		240	Degrees
Phase Adjustment	0		60	Deg/GHz
VSWR			1.4:1	
Insertion Loss			1	dB
Input Power, CW			100	Watts
Input Power, Peak 5µs pulse, 1% duty cycle			5	kWatts

Applications:

- Test & Measurements
- Radar Development
- Military Communications Systems
- Phase Array Antenna System
- Satellite Communications

Mechanical Specifications

Size	
Length	7.87 in [199.9 mm]
Width/Diameter	2.99 in [75.95 mm]
Height	1.2 in [30.48 mm]
Weight	1.08 lbs [489.88 g]
Body Material and Plating	Aluminum
Configuration	
Input Connector	N Female
Output Connector	N Female

Environmental Specifications

Temperature	
Operating Range	-10 to 50 deg C
Storage Range	-40 to 70 deg C

Compliance Certifications (see [product page](#) for current document)

Plotted and Other Data

Notes:

Fairview Microwave
301 Leora Ln., Suite 100
Lewisville, TX 75056
Tel: 1-800-715-4396 / (972) 649-6678
Fax: (972) 649-6689
www.fairviewmicrowave.com
sales@fairviewmicrowave.com

Adjustable Phase Shifter, DC to 4GHz, With an Adjustable Phase of 60 Deg. Per GHz with N-type connector from Fairview Microwave is in-stock and available to ship same-day. All of our RF/microwave products are available off-the-shelf from our ISO 9001:2008 certified facilities in Lewisville, Texas. Fairview Microwave is RF on-demand.

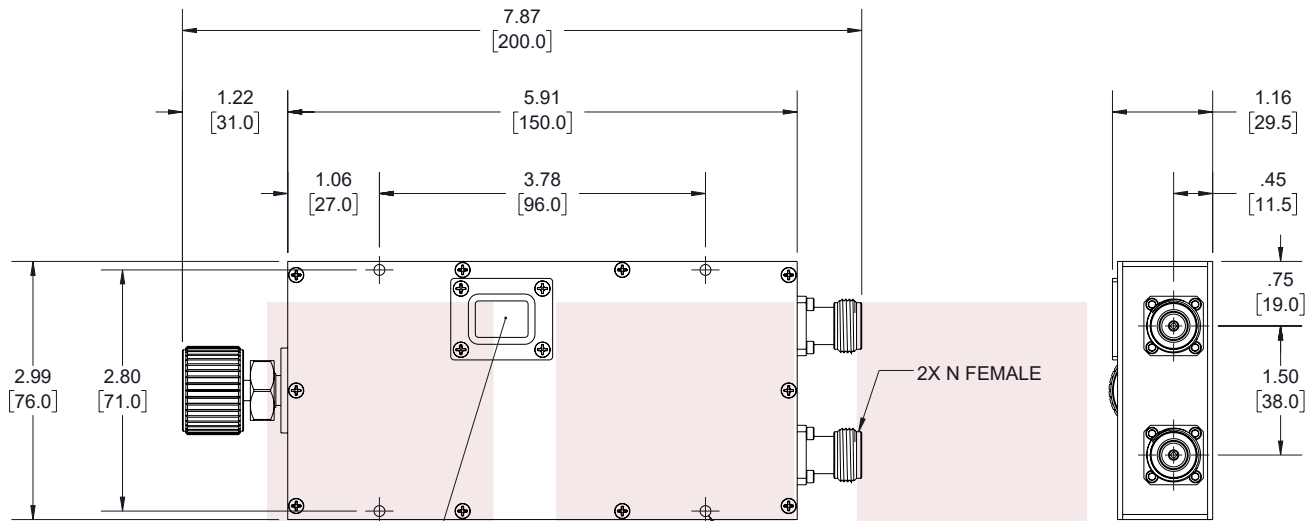
For additional information on this product, please click the following link: [Adjustable Phase Shifter, DC to 4GHz, With an Adjustable Phase of 60 Deg. Per GHz with N-type connector FM82P5012](#)

URL: <https://www.fairviewmicrowave.com/n-adjustable-phase-shifter-dc-4-ghz-fm82p5012-p.aspx>

The information contained in this document is accurate to the best of our knowledge and representative of the part described herein. It may be necessary to make modifications to the part and/or the documentation of the part, in order to implement improvements. Fairview Microwave reserves the right to make such changes as required. Unless otherwise stated, all specifications are nominal. Fairview Microwave does not make any representation or warranty regarding the suitability of the part described herein for any particular purpose, and Fairview Microwave does not assume any liability arising out of the use of any part or documentation.



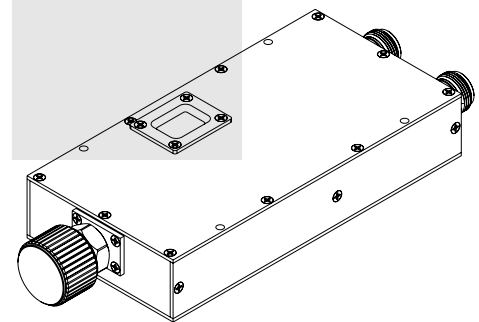
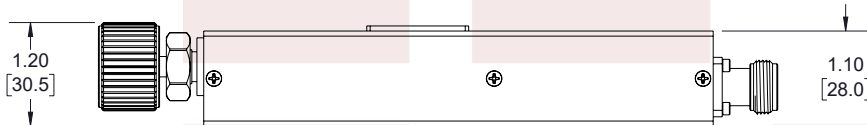
REVISIONS			
REV.	DESCRIPTION	DATE	APPROVED
B	PCR PE82P5004 20220908	11/07/2022	S. PONG



PHASE SHIFT (IN DEG) =
ACTUAL READOUT (SHOWN IN DISPLAY)
X OPERATING FREQUENCY (IN GHz) X 2.4



4X Ø .126 [3.20] THRU



THESE COMMODITIES, TECHNOLOGY OR SOFTWARE WERE EXPORTED FROM THE UNITED STATES IN ACCORDANCE WITH THE EXPORT ADMINISTRATION REGULATIONS. DIVERSION CONTRARY TO U.S. LAW PROHIBITED.

TITLE
Adjustable Phase Shifter, DC to 4GHz, With an Adjustable Phase of 60 Deg. Per GHz with N-type connector

UNLESS OTHERWISE SPECIFIED LEADING DIMENSIONS ARE INCHES
DIMENSIONS IN [] ARE MILLIMETERS

TOLERANCES: CABLE LENGTH (L) TOLERANCES:

.X = ±.2 [5.08]	FRACTIONS	L ≤ 12 [305] = +1 [25] / -0
.XX = ±.02 [.51]	± 1/32	12 [305] < L ≤ 60 [1524] = +2 [51] / -0
.XXX = ±.005 [.13]	ANGLES ± 1°	60 [1524] < L ≤ 120 [3048] = +4 [102] / -0
		120 [3048] < L ≤ 300 [7620] = +6 [152] / -0
		300 [7620] < L = +5%L / -0

THIRD-ANGLE PROJECTION



THE INFORMATION AND DESIGN IN THIS DOCUMENT IS THE PROPERTY OF FAIRVIEW MICROWAVE CORPORATION. ALL RIGHTS RESERVED.

SHEET 1 OF 1

ALL DIMENSIONS SHOWN ARE FOR REFERENCE ONLY.

SCALE N/A

SIZE A	CAGE CODE 3FKR5	DRAWN BY K.DANG	ITEM NO. FM82P5012	REV B
-----------	--------------------	--------------------	-----------------------	----------

T-Rev.D