

Rubber Duck Portable Dual Band Antenna Operates From 2.4 to 5.825 GHz With a Nominal 2 dBi Gain Reverse Polarity SMA Male Input Connector

Rubber duck portable antenna FM51080 from Fairview Microwave (also known as a rubber duck antenna) is part of our extensive in-stock omni-directional radio antenna selection. This dual band rubber duck portable antenna has a frequency range of 2.4 GHz to 2.5 GHz, 4.9 GHz to 5.825 GHz and a 2 nominal dBi gain. Our portable rubber duck antenna uses reverse polarity SMA male connector and is rated for 0 Watts input. FM51080 rubber duck portable radio antenna is one of over 40,000 RF, microwave and millimeter wave components supplied from Fairview Microwave. Our portable rubber duck aerial can be bought and shipped worldwide the same-day as with our other available RF parts.

Configuration

Design	Portable
Polarization	Vertical
Connector Type	SMA Male Reverse Polarity

Electrical Specifications

Description	Min	Typ	Max	Units
Frequency Range	2,400		5,825	MHz
Input VSWR			2:1	
Impedance		50		Ohms
Gain	2			dBi

Specifications by Frequency

Description	Band 1	Band 2	Band 3	Band 4	Band 5	Units
Range	2.4-2.5	4.9-5.825				GHz

Mechanical Specifications

Radome Material	PU
Size	
Length	4.25 in [107.95 mm]
Width	0.366 in [9.3 mm]
Height	0.366 in [9.3 mm]
Weight	0.012 lbs [5.44 g]

Environmental Specifications

Compliance Certifications (see [product page](#) for current document)

Plotted and Other Data

Notes:



Features:

- Vertical Polarized
- Dual Band 2.4 to 2.5 / 5.1 to 5.825 GHz
- Tilt and Swivel Rubberduck / External Dipole
- 2 dBi gain
- RP-SMA Male Connector
- Black

Applications:

- 2.4 GHz Wi-Fi
- IoT
- Zigbee, Bluetooth
- 5 GHz WLAN / Wi-Fi Networks
- Public Safety

Fairview Microwave
 301 Leora Ln., Suite 100
 Lewisville, TX 75056
 Tel: 1-800-715-4396 / (972) 649-6678
 Fax: (972) 649-6689
www.fairviewmicrowave.com
sales@fairviewmicrowave.com

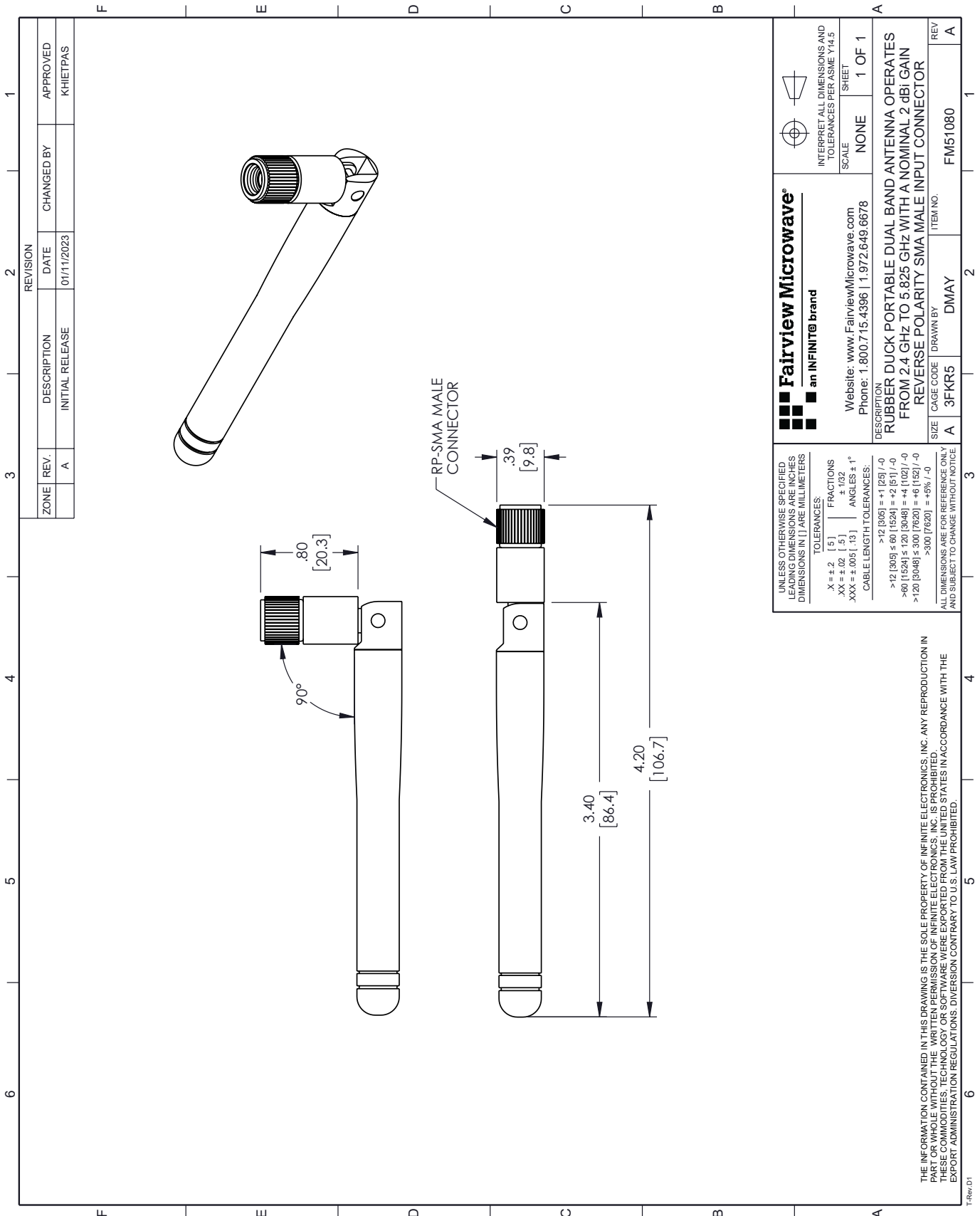
Rubber Duck Portable Dual Band Antenna Operates From 2.4 to 5.825 GHz With a Nominal 2 dBi Gain Reverse Polarity SMA Male Input Connector from Fairview Microwave is in-stock and available to ship same-day. All of our RF/microwave products are available off-the-shelf from our ISO 9001:2008 certified facilities in Lewisville, Texas. Fairview Microwave is RF on-demand.

For additional information on this product, please click the following link: [Rubber Duck Portable Dual Band Antenna Operates From 2.4 to 5.825 GHz With a Nominal 2 dBi Gain Reverse Polarity SMA Male Input Connector FM51080](#)

URL: <https://www.fairviewmicrowave.com/dbi-dualband-rubber-duck-portable-antenna-2400-5825-mhz-sma-connector-fm51080-p.aspx>

The information contained in this document is accurate to the best of our knowledge and representative of the part described herein. It may be necessary to make modifications to the part and/or the documentation of the part, in order to implement improvements. Fairview Microwave reserves the right to make such changes as required. Unless otherwise stated, all specifications are nominal. Fairview Microwave does not make any representation or warranty regarding the suitability of the part described herein for any particular purpose, and Fairview Microwave does not assume any liability arising out of the use of any part or documentation.





REVISION		DATE	CHANGED BY	APPROVED
ZONE	REV.	DESCRIPTION	INITIAL RELEASE	
	A			KHIETPAS

Fairview Microwave[®] an INFINIT [®] brand		Website: www.FairviewMicrowave.com Phone: 1.800.715.4396 1.972.649.6678		INTERPRET ALL DIMENSIONS AND TOLERANCES PER ASME Y14.5 SCALE: NONE SHEET: 1 OF 1
DESCRIPTION: RUBBER DUCK PORTABLE DUAL BAND ANTENNA OPERATES FROM 2.4 GHz TO 5.825 GHz WITH A NOMINAL 2 dBi GAIN REVERSE POLARITY SMA MALE INPUT CONNECTOR				REV: A
SIZE: A	CAGE CODE: 3FKR5	DRAWN BY: DMAY	ITEM NO.: FM51080	REV: A

UNLESS OTHERWISE SPECIFIED, LEADING DIMENSIONS ARE INCHES DIMENSIONS IN [] ARE MILLIMETERS

TOLERANCES:
 .X = ±.2 [5] | FRACTIONS ± 1/32 | ANGLES ± 1°
 .XX = ±.02 [.5] | .XXX = ±.005 [.13]

CABLE LENGTH TOLERANCES:
 >12 [305] = +1 [25] / -0
 >12 [305] ≤ 60 [1524] = +2 [51] / -0
 >60 [1524] ≤ 120 [3048] = +4 [102] / -0
 >120 [3048] ≤ 300 [7620] = +6 [152] / -0
 >300 [7620] = +5% / -0

ALL DIMENSIONS ARE FOR REFERENCE ONLY AND SUBJECT TO CHANGE WITHOUT NOTICE

THE INFORMATION CONTAINED IN THIS DRAWING IS THE SOLE PROPERTY OF INFINITE ELECTRONICS, INC. ANY REPRODUCTION IN PART OR WHOLE WITHOUT THE WRITTEN PERMISSION OF INFINITE ELECTRONICS, INC. IS PROHIBITED. THESE COMMODITIES, TECHNOLOGY OR SOFTWARE WERE EXPORTED FROM THE UNITED STATES IN ACCORDANCE WITH THE EXPORT ADMINISTRATION REGULATIONS. DIVERSION CONTRARY TO U.S. LAW PROHIBITED.