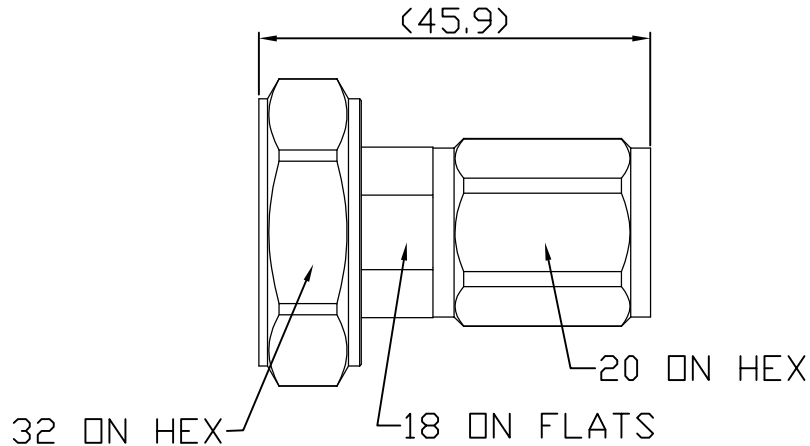


NOTICE OF PROPRIETARY RIGHTS THIS DOCUMENT CONTAINS CONFIDENTIAL TECHNICAL DATA, INCLUDING TRADE SECRETS, PROPRIETARY TO TIMES MICROWAVE SYSTEMS. DISCLOSURE OF THIS DATA IS EXPRESSLY CONDITIONED UPON YOUR ASSENT THAT ITS USE IS LIMITED TO USE WITHIN YOUR COMPANY ONLY. ANY OTHER USE IS STRICTLY PROHIBITED WITHOUT THE PRIOR WRITTEN CONSENT OF TIMES MICROWAVE SYSTEMS.

SYM	REVISION DESCRIPTION	DFTM	DATE	APPD	DATE
A	RELEASED FOR PRODUCTION	K.A.M.	1/24/11	J.D.B.	2/2/11
B	CHANGED PER CDC #34511	D.J.H.	11/30/11	J.D.B.	12/1/11



Reference standard IEC60169-4

I. Electric Performance

Nominal Impedance(Ω): 50
 Frequency Range: DC-3.8GHz
 VSWR: ≤ 1.10
 PIM(dBc) ≤ -160
 INSERT LOSS: ≤ 0.05
 Insulation resistance(M Ω) > 10000
 Proof voltage(V) 2500
 Conductor resistance(m Ω) outer conductor < 0.2
 inner conductor < 0.8

II. Mechanical Performance

Nut torque 25N.m
 (Nut)Whorl pull 1000N
 Tensile force(cable-connect) 500N
 Torsion(cable-connect) 4N.m

III. Material and plating :

Inner conductor Spring Copper Plating Ag 5um
 Outer conductor Brass Plating Copper-tin-zinc 2um
 Nut Brass Plating Ni 5um
 Gasket Silicone rubber
 Insulator PTFE

IV. Environment

Temp.range -40 $^{\circ}$ C~+85 $^{\circ}$ C
 Weather standard IEC 60068 40 / 085/ 21
 Thermal shock US MIL-STD 202,Meth.107,Cond.B
 Vibration US MIL-STD 202,Meth.204,Cond.B
 Shock US MIL-STD 202,Meth.213,Cond.I
 Waterproofing standard IP68

V. Assembly: inner and outer conductor installed

VI. ROHS Compliant.

MATL:	UNLESS OTHERWISE SPECIFIED		DFTM. K. A. M.	TIMES MICROWAVE SYSTEMS			
	ALL DIMENSIONS ARE IN mm		DATE 1/24/11				
USED ON: 0			CHKD. J. D. B.	EZ-SW396-716MC CONNECTOR, 7/16 MALE FOR LMR-SW396 CABLE			
			DATE 2/2/11				
			APPD. J. D. B.				
SCALE: ~	DWG. SIZE A	DO NOT SCALE DRAWING	CODE IDENT 68999	DATE 2/2/11	SHT 1 of 1	SD3190-2621	REV B