

WR-22 to 2.4mm Male Waveguide to Coax Adapter UG-383/U Round Cover Flange With 33 GHz to 50 GHz Frequency Range For Q Band

The SMW22AC001-24M is a waveguide to coaxial adapter with a frequency range of 33 to 50 GHz, operating in the Q Band. This adapter offers a precision tolerance UG-383/U flange and a WR-22 waveguide interface size. The SMW22AC001-24M is constructed of gold plated aluminum to ensure durability and repeatable RF performance.

Configuration

Waveguide Size	WR-22
Flange	UG-383/U Round Cover
RF Connector	2.4mm Male
Impedance	50 Ohms
Body Geometry	Right Angle

Electrical Specifications

Description	Min	Typ	Max	Units
Frequency Range	33		50	GHz
VSWR			1.33:1	
Insertion Loss			0.4	dB

Mechanical Specifications

Size	
Length	1 in [25.4 mm]
Width	1.13 in [28.7 mm]
Height	1.275 in [32.39 mm]
Weight	0.0046 lbs [2.09 g]

RF Connector	
Connector Type	2.4mm Male
Body Material and Plating	Stainless Steel

Waveguide Interface	
Waveguide Type	WR-22
Flange Type	Round Cover
Flange Designation	UG-383/U
Body Material and Plating	Aluminum, Gold
Plating Specification	ASTMB488

Environmental Specifications

Temperature	
Operating Range	-40 to +85 deg C

Compliance Certifications (see [product page](#) for current document)

Plotted and Other Data

- Notes:
- Values at +25 °C, sea level unless stated otherwise

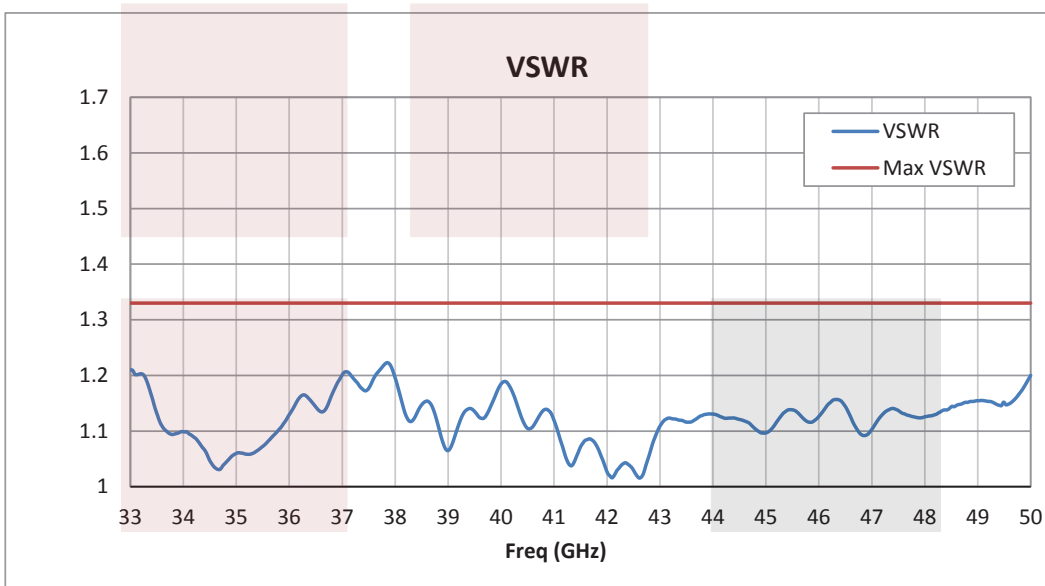
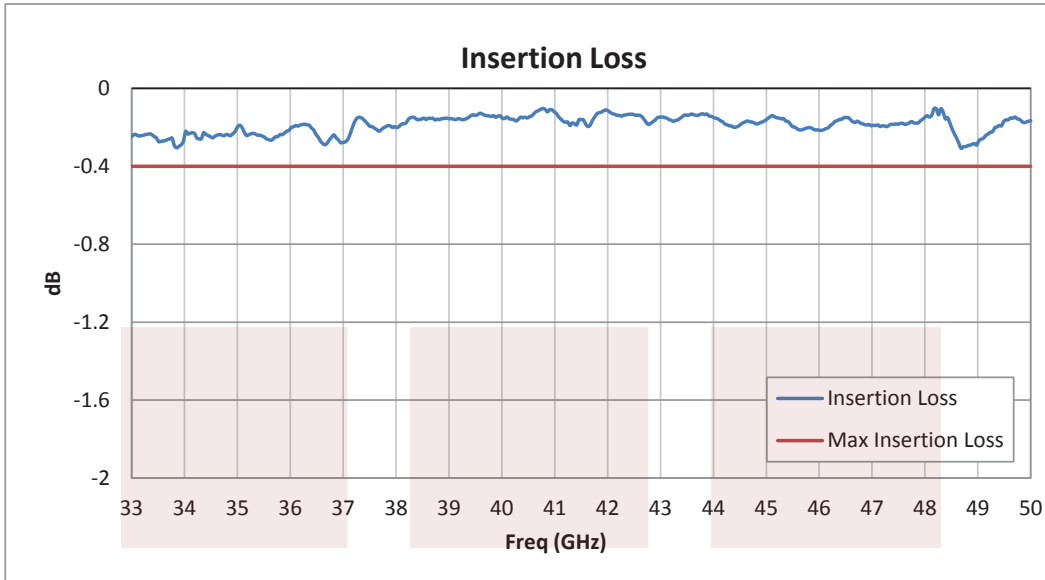


Features:

- Q Band, 33 to 50 GHz Frequency Range
- WR-22 Waveguide Interface with Precision Tolerance UG-383/U Flange
- 2.4 mm Male RF Interface
- Comprehensive waveguide offering also includes E-Bends, H-Bends, Sections, Filters, Terminations, Couplers, and more.

Fairview Microwave
1130 Junction Dr. #100
Allen, TX 75013
Tel: 1-800-715-4396 / (972) 649-6678
Fax: (972) 649-6689
www.fairviewmicrowave.com
sales@fairviewmicrowave.com

Typical Performance Data

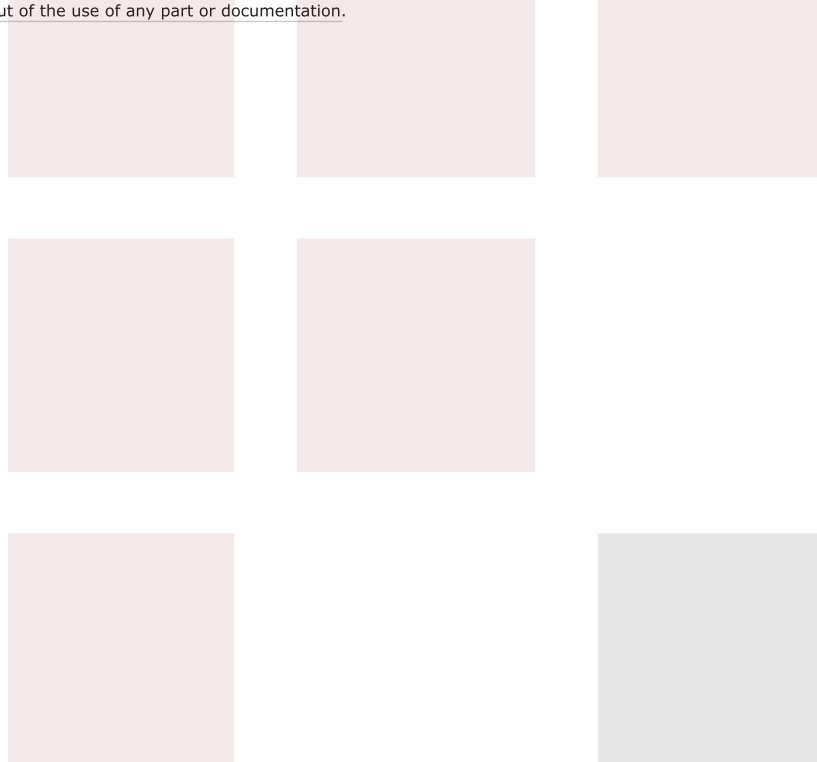


WR-22 to 2.4mm Male Waveguide to Coax Adapter UG-383/U Round Cover Flange With 33 GHz to 50 GHz Frequency Range For Q Band from Fairview Microwave is in-stock and available to ship same-day. All of our RF/microwave products are available off-the-shelf from our ISO 9001:2008 certified facilities in Allen, Texas. Fairview Microwave is RF on-demand.

For additional information on this product, please click the following link: [WR-22 to 2.4mm Male Waveguide to Coax Adapter UG-383/U Round Cover Flange With 33 GHz to 50 GHz Frequency Range For Q Band SMW22AC001-24M](#)

URL: <https://www.fairviewmicrowave.com/wr-22-2.4mm-waveguide-coax-adapter-50-ghz-smw22ac001-24m-p.aspx>

The information contained in this document is accurate to the best of our knowledge and representative of the part described herein. It may be necessary to make modifications to the part and/or the documentation of the part, in order to implement improvements. Fairview Microwave reserves the right to make such changes as required. Unless otherwise stated, all specifications are nominal. Fairview Microwave does not make any representation or warranty regarding the suitability of the part described herein for any particular purpose, and Fairview Microwave does not assume any liability arising out of the use of any part or documentation.

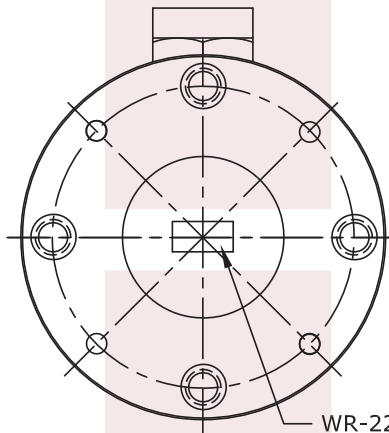
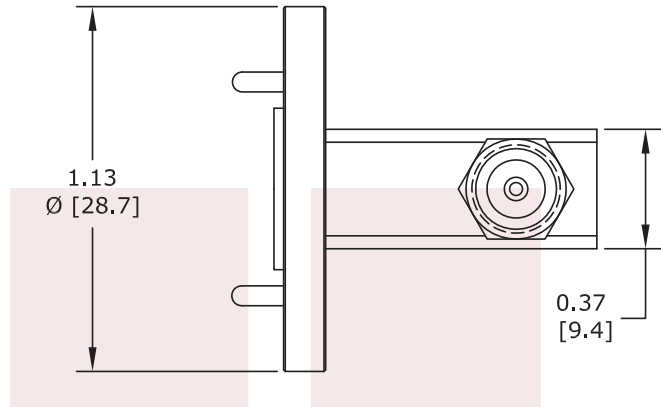


UNLESS OTHERWISE SPECIFIED DIMENSIONS ARE IN INCHES. TOLERANCES ARE:

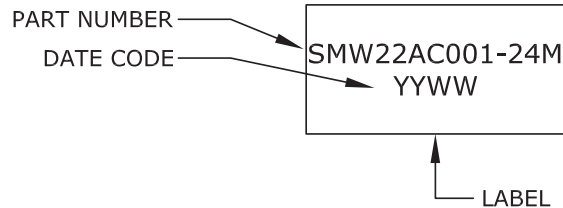
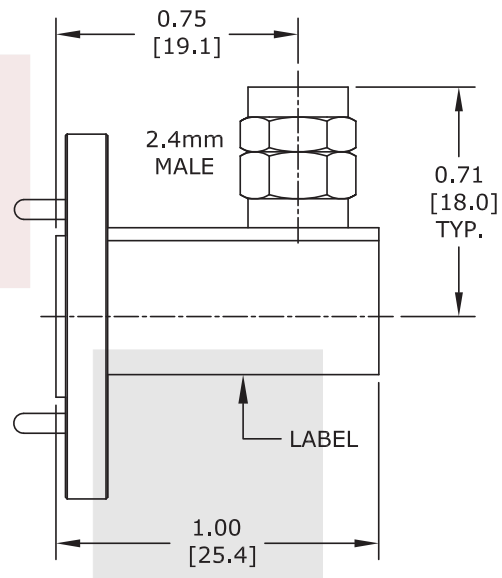
DECIMALS	ANGLES	FRACTIONS
.XX ± .03	± 1°	± 1/16
.XXX ± .010		

HOLE DIAMETER	TOLERANCE
.0135 TO .125	+.004/-0.001
.126 TO .250	+.005/-0.001
.251 TO .500	+.006/-0.001
.501 TO .750	+.008/-0.001
.751 TO 1.000	+.010/-0.001
1.001 TO 2.000	+.012/-0.001

* THESE DIMENSIONS AND TOLERANCES SUPERSEDE NOTE #1 ON TITLE BLOCK.



WR-22 WAVEGUIDE W/UG-383/U FLANGE



FAIRVIEW MICROWAVE INC. ALLEN, TX 75013 WWW.FAIRVIEWMICROWAVE.COM		NOTES: 1. UNLESS OTHERWISE SPECIFIED ALL DIMENSIONS ARE NOMINAL. 2. ALL SPECIFICATIONS ARE SUBJECT TO CHANGE WITHOUT NOTICE AT ANY TIME. 3. DIMENSIONS ARE IN INCHES [mm].			
TITLE WR-22 to 2.4mm Male Waveguide to Coax Adapter UG-383/U Round Cover Flange With 33 GHz to 50 GHz Frequency Range For Q Band		DWG NO SMW22AC001-24M		CAGE CODE 3FKR5	
CAD FILE	101915	SHEET	SCALE	N/A	SIZE A 150