

SMA Male to SMA Female Adapter

SMA male to SMA female adapter part number SM7565 from Fairview Microwave is in-stock and ships same day. This Fairview SMA to SMA adapter has a male to female gender configuration. SM7565 SMA male to SMA female adapter operates to 18 GHz. The Fairview Microwave RF adapter provides excellent VSWR of 1.25:1 maximum. The SMA connector mates mechanically with commercially available 3.5mm and 2.92mm (K) connectors. Our SMA to SMA RF adapter can also be used as a connector saver to extend equipment life.

RF adapters can be used to enable connections between two connector types that would otherwise not mate. Certain RF adapter configurations can also be used to protect connectors on expensive equipment where the number of connect and disconnect cycles is high. An RF, microwave, or millimeter wave adapter is connected to the equipment and the commonly changed connection is made with the adapter which can be easily replaced when it wears out after high usage; such adapters are referred to as connector savers. Fairview Microwave also offers bulkhead, panel mount, hermetically sealed, reverse polarity, and isolated ground adapter varieties to serve all of your RF, microwave and millimeter wave needs.

Electrical Specifications

Description	Min	Typ	Max	Units
Frequency Range	DC		18	GHz
VSWR			1.25:1	
Operating Voltage (AC)			500	Vrms

Electrical Specification Notes:
 Values at 25°C, sea level.

Mechanical Specifications

Size	
Length	0.717 in [18.21 mm]
Width	0.315 in [8 mm]
Weight	0.0085 lbs [3.86 g]

Description	Connector 1	Connector 2
Type	SMA Male	SMA Female
Polarity	Standard	Standard
Interface Specification	MIL-STD-348A	MIL-STD-348A
Mating Cycles	500	500
Hex Size	5/16 inch	
Mating Torque	3 to 5 in-lbs [0.34 to 0.57 Nm]	



Configuration:

- SMA Male Connector 1
- SMA Female Connector 2
- 50 Ohm
- Straight Body Geometry

Features:

- VSWR of 1.25:1 max up to 18 GHz
- SMA interface meets MIL-STD-348A
- 50 μin minimum contact plating
- Gold Plated Beryllium Copper Contact

Applications:

- Connector Saver
- General Purpose Test

Fairview Microwave
 301 Leora Ln., Suite 100
 Lewisville, TX 75056
 Tel: 1-800-715-4396 / (972) 649-6678
 Fax: (972) 649-6689
www.fairviewmicrowave.com
sales@fairviewmicrowave.com

Material Specifications

Description	Connector 1	Connector 2
Type	SMA Male	SMA Female
Contact Material	Beryllium Copper	Beryllium Copper
Contact Plating	Gold	Gold
Contact Plating Spec.	50 µin minimum	50 µin minimum
Insulation Material	PTFE	PTFE
Outer Contact Material		Brass
Outer Contact Plating		Gold
Outer Conductor Contact Spec.		3 µin minimum
Body Material	Brass	
Body Plating	Gold	
Body Plating Spec.	3 µin minimum	
Coupling Nut Material	Brass	
Coupling Nut Plating	Gold	
Coupling Nut Plating Spec.	3 µin minimum	

Environmental Specifications

Temperature

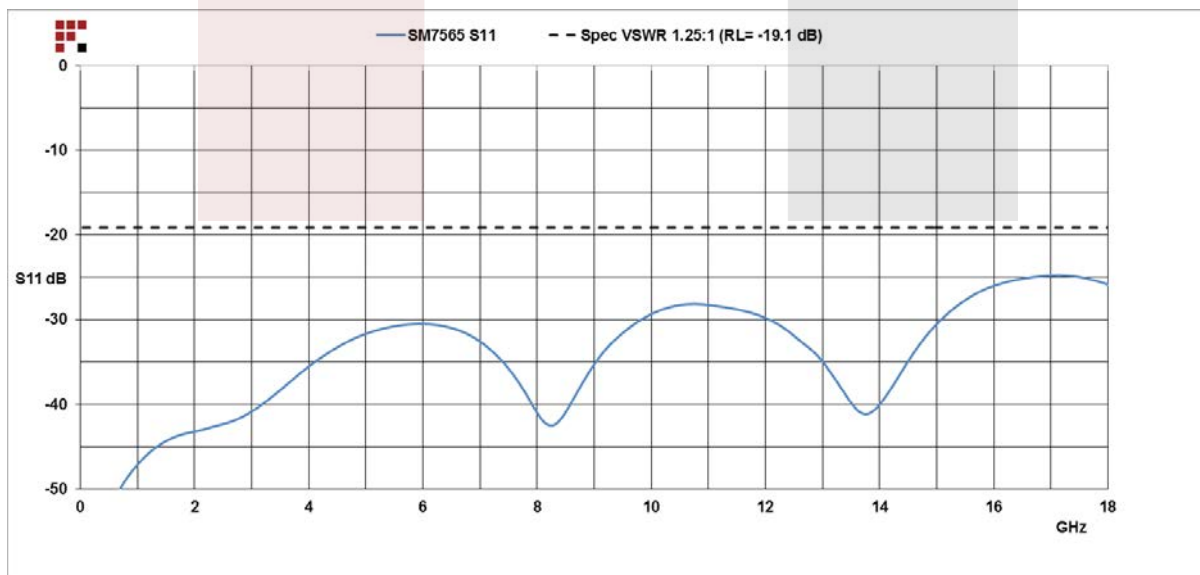
Operating Range -65 to +165 deg C

Compliance Certifications (see [product page](#) for current document)

Plotted and Other Data

Notes:

Typical Performance Data



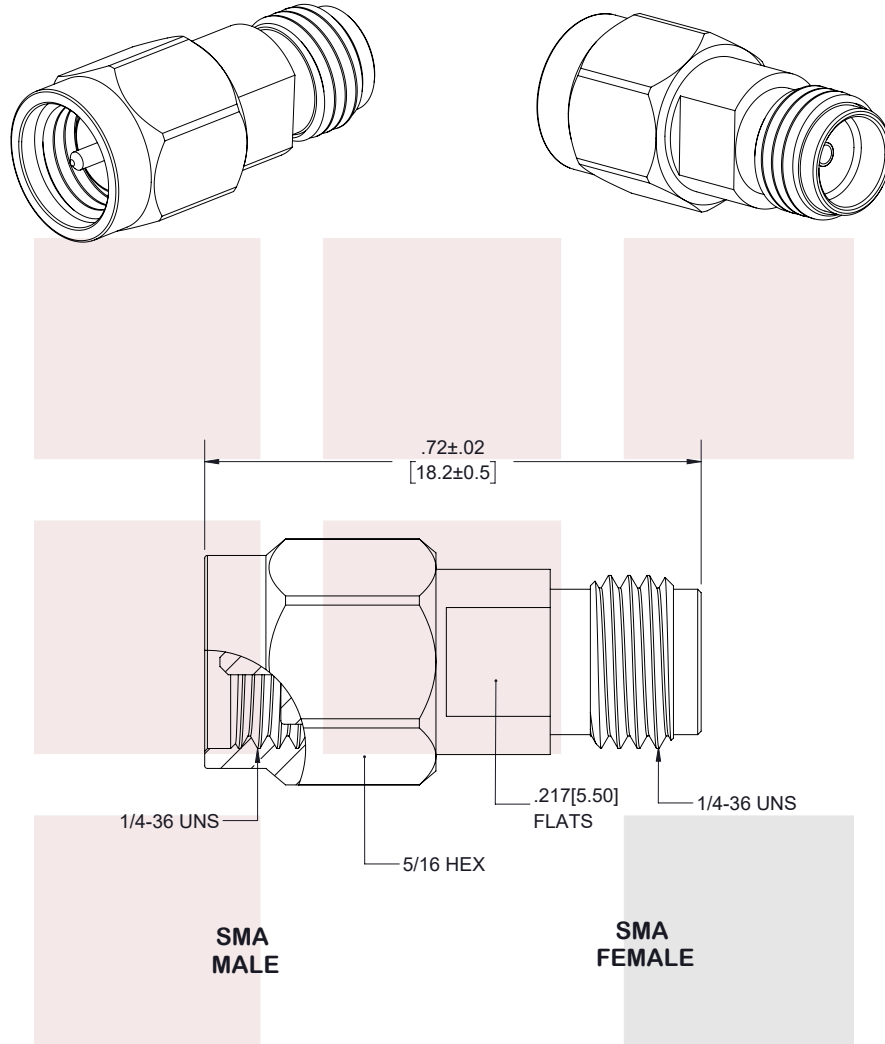
SMA Male to SMA Female Adapter from Fairview Microwave is in-stock and available to ship same-day. All of our RF/microwave products are available off-the-shelf from our ISO 9001:2008 certified facilities in Allen, Texas. Fairview Microwave is RF on-demand.

For additional information on this product, please click the following link: [SMA Male to SMA Female Adapter SM7565](#)

URL: <https://www.fairviewmicrowave.com/sma-male-sma-female-adapter-sm7565-p.aspx>

The information contained in this document is accurate to the best of our knowledge and representative of the part described herein. It may be necessary to make modifications to the part and/or the documentation of the part, in order to implement improvements. Fairview Microwave reserves the right to make such changes as required. Unless otherwise stated, all specifications are nominal. Fairview Microwave does not make any representation or warranty regarding the suitability of the part described herein for any particular purpose, and Fairview Microwave does not assume any liability arising out of the use of any part or documentation.





STANDARD TOLERANCES	
.X	±0.2
.XX	±0.01
.XXX	±0.005

*STANDARD TOLERANCES APPLY ONLY TO DIMENSIONS IN INCHES

FAIRVIEW MICROWAVE INC. ALLEN, TX 75013 WWW.FAIRVIEWMICROWAVE.COM		NOTES: 1. UNLESS OTHERWISE SPECIFIED ALL DIMENSIONS ARE NOMINAL. 2. ALL SPECIFICATIONS ARE SUBJECT TO CHANGE WITHOUT NOTICE AT ANY TIME. 3. DIMENSIONS ARE IN INCHES [mm].				
TITLE SMA Male to SMA Female Adapter		DWG NO SM7565		CAGE CODE 3FKR5		
CAD FILE	010318	SHEET	1 OF 1	SCALE	N/A	SIZE A
						7361