

# N/F - N/F FLEXIBLE CABLES 1GHZ RG58

SCB13316-XX

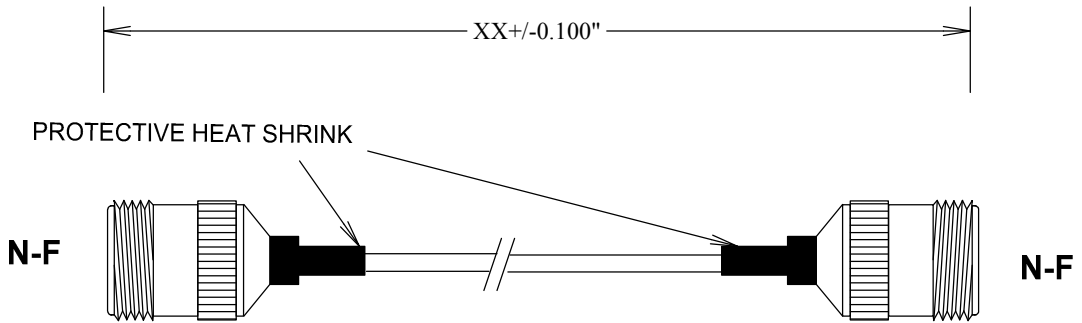
## SPECIFICATIONS

CABLE ASSEMBLY:  
VSWR: 1.2:1 @1GHZ TYPICAL

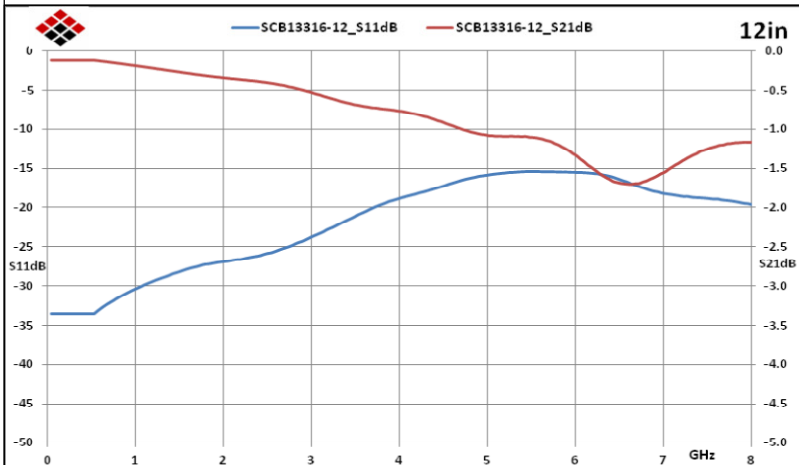
RAW CABLE: RG58  
TYPICAL LOSS (EXCLUDING CONNECTORS)  
@1GHz: 0.15 DB/FT  
@2GHz: 0.22 DB/FT  
@3GHz: 0.28 DB/FT

CONNECTORS: BRASS  
CONTACTS Au PLATING  
INTERFACE: MIL-STD-348A

OP TEMP: -55-110°C



MEASUREMENTS BELOW ARE TYPICAL



ALL DIMENSIONS IN inches(MM) Typical

**FAIRVIEW MICROWAVE INC.**

ALLEN, TX 75013 WWW.FAIRVIEWMICROWAVE.COM

TITLE

N/F - N/F FLEXIBLE CABLES 1GHZ RG58

SIZE	CAGE CODE	DWG NO	REV
A	3FKR5	SCB13316-XX	--
SCALE		SHEET	