

SMA-M FLANGE SLOTTED CONTACT

SC7651

SPECIFICATIONS

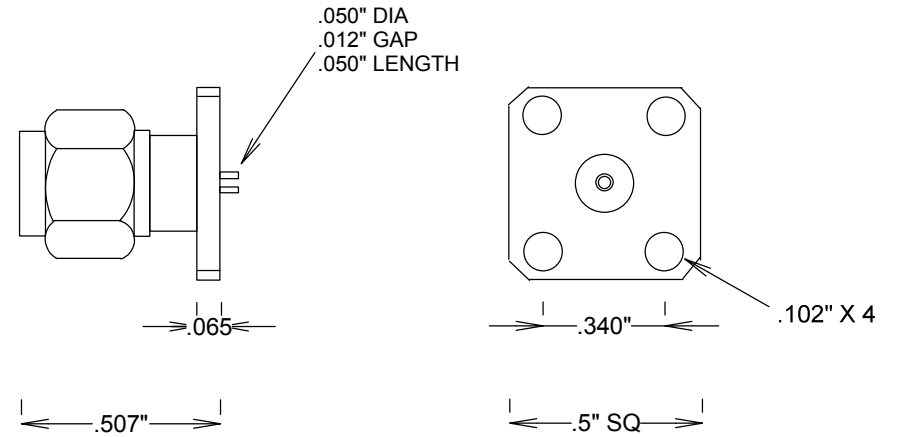
ELECTRICAL:

FREQUENCY: 0-18 GHZ
 IMPEDANCE: 50 OHMS
 OP. TEMP RANGE: -55C to +155°C

MECHANICAL:

MATERIAL BODY: PASSIVATED STAINLESS STEEL
 CENTER CONTACT: BeCu
 CONTACT PLATING: Au MIL-G-45204
 INSULATOR: TEFLON
 INTERFACE: MIL-STD-883A
 NON-CAPTIVATED CONTACT
 ROHS COMPLIANT

SMA-M



NON-CAPTIVATED CONTACT

FAIRVIEW MICROWAVE INC.

ALLEN, TX 75013 WWW.FAIRVIEWMICROWAVE.COM

TITLE

SMA-M FLANGE SLOTTED CONTACT

SIZE	CAGE CODE	DWG NO	REV
A	3FKR5	SC7651	--

SCALE	SHEET