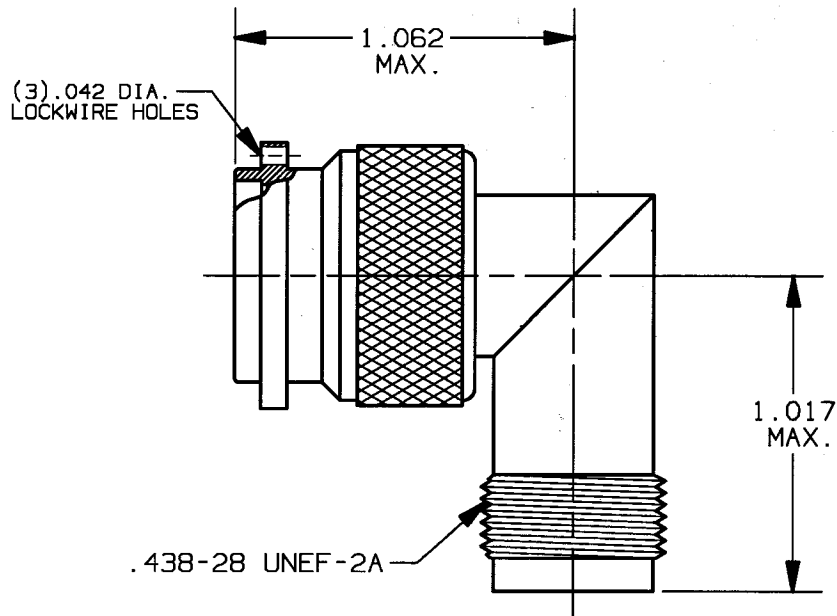


CONFIGURATION (TOLERANCE ±.005 UNLESS OTHERWISE SPECIFIED)



TNC, RIGHT ANGLE ADAPTER, MALE/FEMALE

MATERIAL & FINISH:

BODIES, COUPLING NUT & SLEEVE: BRASS PER QQ-B-626, 1/2H, ALLOY 360. SILVER WITH TARNISHING PROTECTION PER QQ-S-365, TYPE I, GRADE A.

CONTACT: BERYLLIUM COPPER PER ASTM-B196, COND.TD04, ALLOY UNS-C17300. GOLD PLATED PER MIL-G-45204, TYPE 1, GRADE, C, CLASS 1; OVER NICKEL PER QQ-N-290, CLASS 1.

OUTER CONTACT: BERYLLIUM COPPER PER ASTM-B196, COND.TD04, ALLOY UNS-C17300. SILVER WITH IRIDITE PER QQ-S-365, TYPE I, GRADE A.

INSULATORS: TEFLON PER ASTM-D1710 & L-P-403, TYPE 1.

GASKET: SILICONE RUBBER PER ZZ-R-765, CLASS IIB, GRADE 50-60.

LOCK RING: PHOSPHOR BRONZE PER ASTM-B159, ALLOY 51000, TEMP.H08

TEMP. RATING (DEGREES CENTIGRADE) -65° TO +165°C

VIBRATION (MIL-STD-202, METHOD 204, CONDITION D, 20G'S)

SHOCK (MIL-STD-202, METHOD 213, COND.I, 100G'S)

TEMP. CYCLING (MIL-STD-202, METHOD 107, COND.C, -65c TO 200° C)

MOISTURE RESISTANCE (MIL-STD-202, METHOD 106, LESS STEP 7B)

BAROMETRIC PRESSURE (ALTITUDE) MIL-STD-202, METHOD 105, COND. C, 70,000 FT., 375 VRMS)

HERMETICITY: N/A

DWG. NO.

M55339/32-00001

ELECTRICAL:

NOMINAL IMPEDANCE (OHMS) 50

FREQUENCY RANGE (GHZ) DC TO 11.0

VOLTAGE RATING (MAX.VRMS) 500

VSWR (MAX.) 1.45 : 1

INSERTION LOSS (x $\sqrt{\text{FREQ}} = \text{DB MAX.}$) .1

RF LEAKAGE (MIN.DB DOWN) N/A

RF HIGH POTENTIAL (MAX.VRMS) 1000 AT 5 MHz

DIELECTRIC WITHSTANDING VOLT. (MAX.VRMS) 1500

INSULATION RESISTANCE (MIN.MEGOHMS) 5000

CONTACT RESISTANCE:

CENTER CONTACT (MAX. MILLIOHMS) 2.5

OUTER CONTACT (MAX. MILLIOHMS) .5

MECHANICAL: PER MIL-A-55339/32 SERIES, AND S/V MD-108

INTERFACE DIMENSIONS

RECOMMENDED MATING TORQUE 12 - 15 IN.LBS.

CENTER CONTACT AXIAL FORCES:

INSERTION (MAX. OUNCES) 32.0

WITHDRAWAL (MIN. OUNCES) 2.0

CONNECTOR DURABILITY (MIN. CYCLES) 500

CONNECTOR ENGAGEMENT & DISENGAGEMENT (MAX. INCH LBS.) 2.0

CENTER CONTACT CAPTIVATION 6 LB. MIN. AXIAL FORCE
4 IN. OZ. MIN. TORQUE

ENVIRONMENTAL:

| SYM. | DESCRIPTION | DATE | APPR. | DRAWN: | APPROVED: | SOLITRON/VECTOR | DWG. NO. |
|------|----------------|------|-----------|--------------|--------------|---|-----------------|
| - | REL. DCN 20909 | 9/93 | <i>DW</i> | J. IDROVO | <i>DW</i> | 3301 ELECTRONICS WAY WEST PALM BEACH, FL 33407 | M55339/32-00001 |
| | | | | DATE 9/23/93 | DATE 9-30-93 | | |