

WR-22 to 2.4mm Female Waveguide to Coax Adapter UG-383/U Round Cover with 33 GHz to 50 GHz Q Band in Brass Copper, Gold

The FMW22CA100 is a waveguide to coaxial adapter operating in the Q Band with a 33 to 50 GHz frequency range. This adapter offers a WR-22 waveguide interface size coupled with a precision tolerance UG-383/U flange. The FMW22CA100 is constructed of brass copper with a gold plating to ensure durability. The coaxial connector offered by this adapter uses a 2.4mm Female connector.

Configuration

Waveguide Size	WR-22
Flange	UG-383/U Round Cover
RF Connector	2.4mm Female
Impedance	50 Ohms
Body Geometry	Right Angle

Electrical Specifications

Description	Min	Typ	Max	Units
Frequency Range	33		50	GHz
VSWR			1.4:1	
Insertion Loss			0.4	dB

Mechanical Specifications

Size	
Length	0.98 in [24.89 mm]
Width	1.13 in [28.7 mm]
Height	1.13 in [28.7 mm]

RF Connector	
Connector Type	2.4mm Female
Body Material and Plating	Stainless Steel

Waveguide Interface	
Waveguide Type	WR-22
Flange Type	Round Cover
Flange Designation	UG-383/U
Body Material and Plating	Brass Copper, Gold

Compliance Certifications (see [product page](#) for current document)

Plotted and Other Data

Notes:

- Values at +25 °C, sea level unless stated otherwise



Features:

- Q band
- 33 to 50 GHz Frequency Range
- WR-22 Waveguide Interface
- UG-383/U Flange
- 2.4mm Female RF Interface
- Comprehensive waveguide offerings also include E-Bends, H-Bends, Sections, Filters, Terminations, Couplers, and more.

Fairview Microwave
 301 Leora Ln., Suite 100
 Lewisville, TX 75056
 Tel: 1-800-715-4396 / (972) 649-6678
 Fax: (972) 649-6689
www.fairviewmicrowave.com
sales@fairviewmicrowave.com

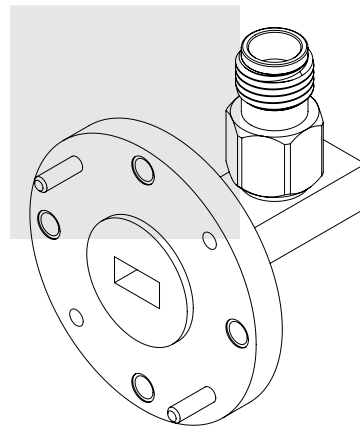
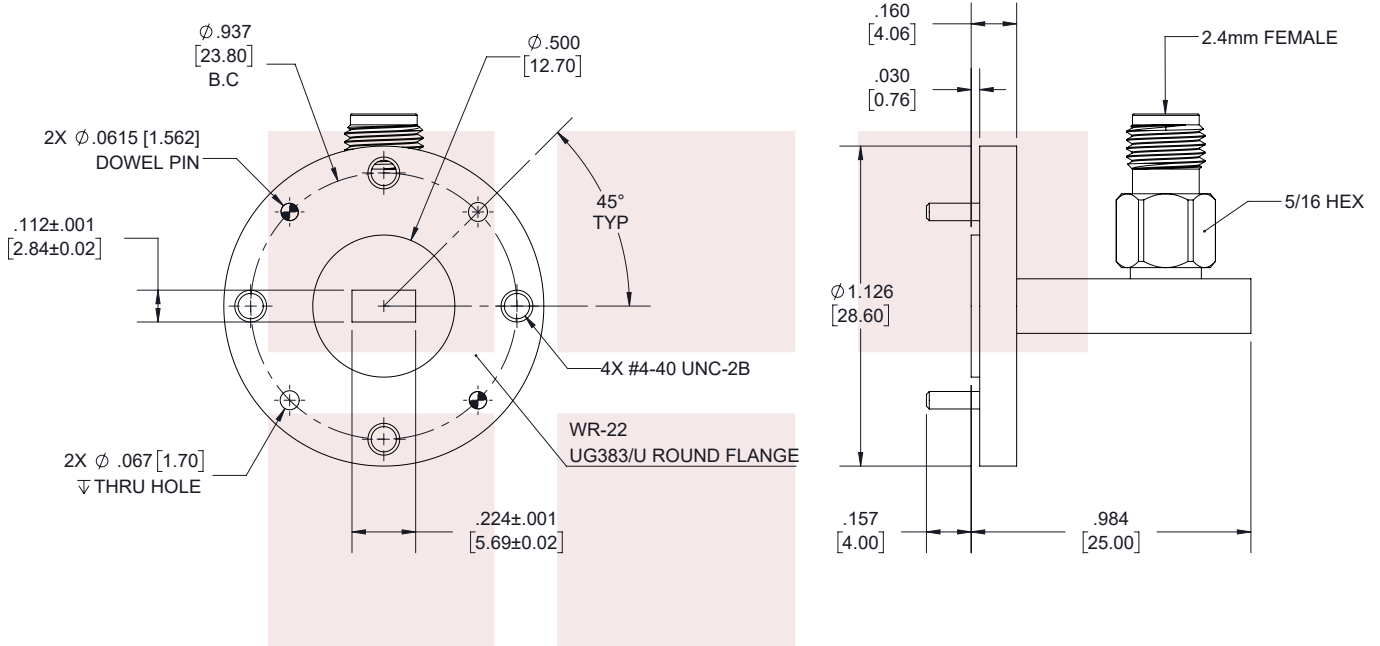
WR-22 to 2.4mm Female Waveguide to Coax Adapter UG-383/U Round Cover with 33 GHz to 50 GHz Q Band in Brass Copper, Gold from Fairview Microwave is in-stock and available to ship same-day. All of our RF/microwave products are available off-the-shelf from our ISO 9001:2008 certified facilities in Lewisville, Texas. Fairview Microwave is RF on-demand.

For additional information on this product, please click the following link: [WR-22 to 2.4mm Female Waveguide to Coax Adapter UG-383/U Round Cover with 33 GHz to 50 GHz Q Band in Brass Copper, Gold FMW22CA100](#)

URL: <https://www.fairviewmicrowave.com/wr22-2.4mm-female-waveguide-coax-adapter-ug383-round-fmw22ca100-p.aspx>

The information contained in this document is accurate to the best of our knowledge and representative of the part described herein. It may be necessary to make modifications to the part and/or the documentation of the part, in order to implement improvements. Fairview Microwave reserves the right to make such changes as required. Unless otherwise stated, all specifications are nominal. Fairview Microwave does not make any representation or warranty regarding the suitability of the part described herein for any particular purpose, and Fairview Microwave does not assume any liability arising out of the use of any part or documentation.





STANDARD TOLERANCES	
.X	±0.2
.XX	±0.01
.XXX	±0.005

*STANDARD TOLERANCES APPLY ONLY TO DIMENSIONS IN INCHES

		NOTES: 1. UNLESS OTHERWISE SPECIFIED ALL DIMENSIONS ARE NOMINAL. 2. ALL SPECIFICATIONS ARE SUBJECT TO CHANGE WITHOUT NOTICE AT ANY TIME. 3. DIMENSIONS ARE IN INCHES [mm].				
TITLE		DWG NO		CAGE CODE		
WR-22 to 2.4mm Female Waveguide to Coax Adapter UG-383/U Round Cover with 33 GHz to 50 GHz Q Band in Brass Copper, Gold		FMW22CA100		3FKR5		
CAD FILE	07/03/19	SHEET	1 OF 1	SCALE	N/A	SIZE A 7361