

BNC Female (Jack) Bulkhead Hermetically Sealed Connector Turret Terminal Solder Attachment



FMCN5409

Configuration

- BNC Female Connector
- 50 Ohms
- Straight Body Geometry
- Connector Interface Types: Turret, .480 inch D Hole
- Bulkhead

Features

- Operating Frequency of 4 GHz Max.
- Good VSWR of 1.3:1
- Hermetically Sealed
- Gold over Nickel over Copper Plated Brass Contact

Applications

- General Purpose Test
- Rack and Panel Mount Applications

Description

BNC Female Hermetically Sealed Bulkhead Mount Connector Solder Attachment for Turret, part number FMCN5409, from Fairview Microwave is in-stock and ships same day. This BNC female connector operates up to a maximum frequency of 4 GHz and offers good VSWR of 1.3:1. Fairview's FMCN5409 bulkhead BNC connector enables designers to make external connections on product enclosures, and can be used in a variety of other rack mount and panel mount applications.

Fairview's BNC female bulkhead connector FMCN5409 datasheet specifications and outline drawing are shown in this PDF below. Our extensive offering of RF, microwave and millimeter wave connectors allows designers to configure and customize their signal connections however they like. From providing an I/O for a board design to creating a custom cable assembly configuration, Fairview Microwave has a connector solution to meet your needs. Fairview Microwave also has the expertise to build your custom cable assemblies for you and ship them same-day.

Electrical Specifications

Description	Minimum	Typical	Maximum	Units
Frequency Range	DC		4	GHz
VSWR			1.3:1	
Insertion Loss			0.2	dB
Operating Voltage (AC)			500	Vrms
Dielectric Withstanding Voltage (AC)			1,500	Vrms
Inner Conductor DC Resistance			1.5	mOhms
Outer Conductor DC Resistance			1	mOhms
Insulation Resistance	5,000			MOhms
Impedance		50		Ohms

Electrical Specification Notes:
Hermeticity of 1*10⁻⁶ cc/sec

Mechanical Specifications

Size

Length	1.21 in [30.73 mm]
Width	0.69 in [17.53 mm]
Height	0.69 in [17.53 mm]
Weight	0.042 lbs [19.05 g]

BNC Female (Jack) Bulkhead Hermetically Sealed Connector Turret Terminal Solder Attachment



FMCN5409

Mating Cycles	500 Cycles
Mating Torque	0.6 to 2.5 in-lbs [0.07 to 0.28 Nm]

Material Specifications

Description	Material	Plating
Contact	Brass	Gold over Nickel over Copper
Insulation	PTFE	
Body	Brass	Nickel over Copper
Gasket	Silicone	
Washer	Brass	Nickel over Copper

Environmental Specifications

Temperature	
Operating Range	-65 to +165 deg C
Humidity	MIL-STD-202, Method 106
Thermal Shock	MIL-STD-202, Method 107, Condition B
Salt Spray	MIL-STD-202, Method 101, Condition B

Compliance Certifications (see [product page](#) for current document)

Plotted and Other Data

Notes:

BNC Female (Jack) Bulkhead Hermetically Sealed Connector Turret Terminal Solder Attachment from Fairview Microwave is in-stock and available to ship same-day. All of our RF/microwave products are available off-the-shelf from our ISO 9001:2008 certified facilities in Lewisville, Texas. Fairview Microwave is RF on-demand.

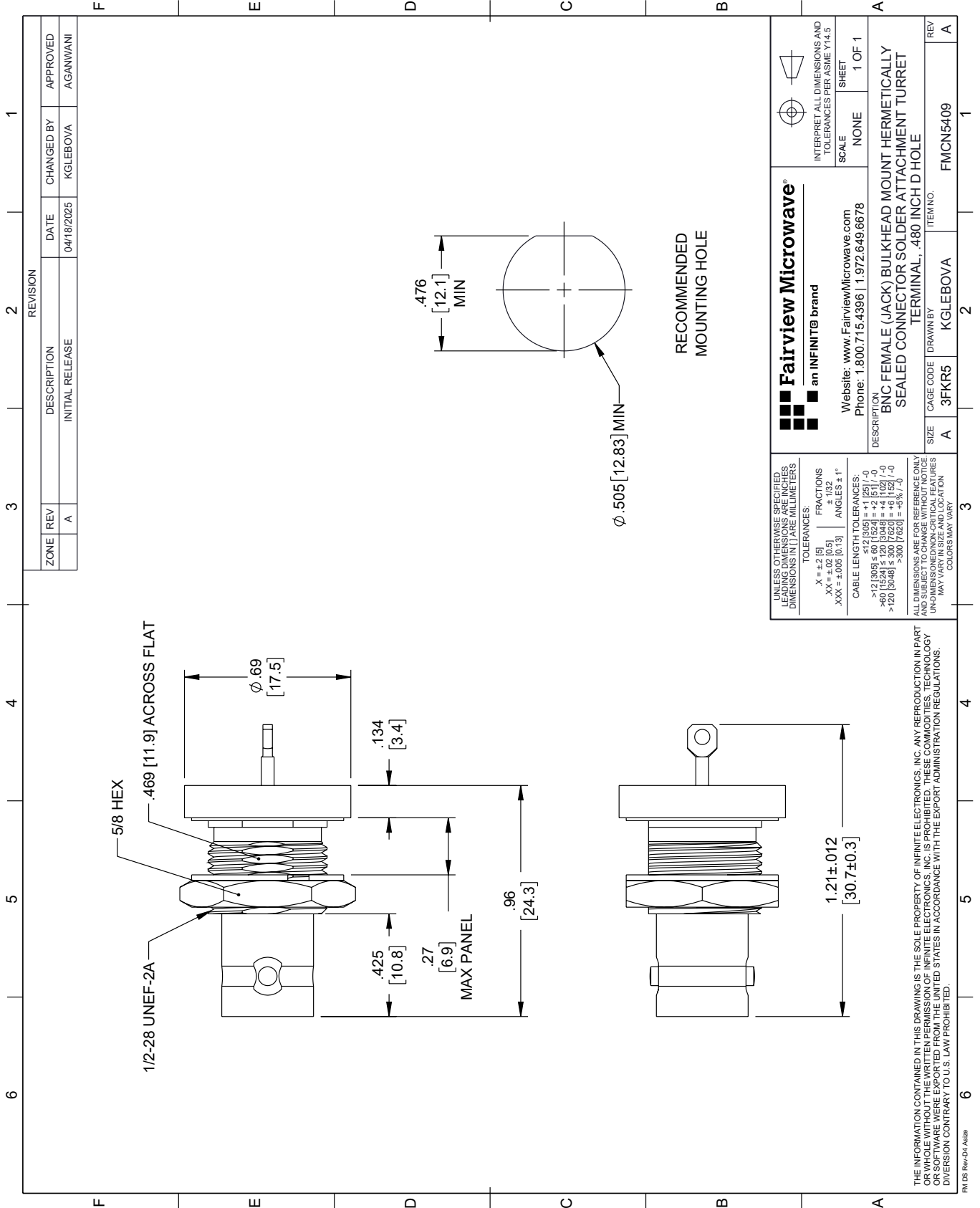
For additional information on this product, please click the following link: [BNC Female \(Jack\) Bulkhead Hermetically Sealed Connector Turret Terminal Solder Attachment FMCN5409](#)

URL: <https://www.fairviewmicrowave.com/product/rf-connectors/bnc-female-turret-.480-d-hole-terminal-connector-fmcn5409.html>

The information contained within this document is accurate to the best of our knowledge and representative of the part described herein. It may be necessary to make modifications to the part and/or the documentation of the part in order to implement improvements. Fairview Microwave reserves the right to make such changes as required. Unless otherwise stated, all specifications are nominal. Fairview Microwave does not make any representation or warranty regarding the suitability of the part described herein for any particular purpose, and Fairview Microwave does not assume liability arising out of the use of any part or document.

FMCN5409 CAD Drawing

BNC Female (Jack) Bulkhead Hermetically Sealed Connector Turret Terminal Solder Attachment



REVISION		DATE	CHANGED BY	APPROVED
ZONE	REV	DESCRIPTION	INITIAL RELEASE	
	A			AGANWANI

 Fairview Microwave® an INFINIT® brand Website: www.FairviewMicrowave.com Phone: 1.800.715.4396 1.972.649.6678		 INTERPRET ALL DIMENSIONS AND TOLERANCES PER ASME Y14.5 SCALE: NONE SHEET: 1 OF 1
DESCRIPTION BNC FEMALE (JACK) BULKHEAD MOUNT HERMETICALLY SEALED CONNECTOR SOLDER ATTACHMENT TURRET TERMINAL, .480 INCH D HOLE		
SIZE	CAGE CODE	ITEM NO.
A	3FKR5	FMCN5409
REV	DRAWN BY	
A	KGLEBOVA	

UNLESS OTHERWISE SPECIFIED, LEADING DIMENSIONS ARE IN INCHES. DIMENSIONS IN [] ARE MILLIMETERS.

TOLERANCES:

X = +.2 [5] FRACTIONS ± 1/32

.XX = ±.02 [0.5] ANGLES ± 1°

.XXX = ±.005 [0.13]

CABLE LENGTH TOLERANCES:

>12 [305] ≤ 60 [1524] = +.1 [25] / -0

>60 [1524] ≤ 120 [3048] = +.4 [102] / -0

>120 [3048] ≤ 300 [7620] = +.8 [20] / -0

ALL DIMENSIONS ARE FOR REFERENCE ONLY. UNDIMENSIONED NON-CRITICAL FEATURES MAY VARY IN SIZE AND LOCATION. COLORS MAY VARY.

THE INFORMATION CONTAINED IN THIS DRAWING IS THE SOLE PROPERTY OF INFINITE ELECTRONICS, INC. ANY REPRODUCTION IN PART OR WHOLE WITHOUT THE WRITTEN PERMISSION OF INFINITE ELECTRONICS, INC. IS PROHIBITED. THESE COMMODITIES, TECHNOLOGY OR SOFTWARE WERE EXPORTED FROM THE UNITED STATES IN ACCORDANCE WITH THE EXPORT ADMINISTRATION REGULATIONS. DIVISION CONTRARY TO U.S. LAW PROHIBITED.

PM DS Rev-D4 Alt2b