

## N Male Connector Crimp/Solder Attachment for LMR-400, LMR-400-DB, LMR-400-UF, .400 inch Cable



### FMCN5256

#### Configuration

- N Male Connector
- 50 Ohms
- Straight Body Geometry
- Connector Interface Types: LMR-400, LMR-400-DB, LMR-400-UF, .400 inch
- 18 mm Hex

#### Features

- Operating Frequency of 11 GHz Max.
- Gold Plated Brass Contact
- 15 µin minimum contact plating

#### Applications

- General Purpose Test
- Custom Cable Assemblies

#### Description

Type N Male Standard Connector Crimp/Solder Attachment for LMR-400, LMR-400-DB, LMR-400-UF and .400 inch Cable, part number FMCN5256, from Fairview Microwave is in-stock and ships same day. This type N male connector operates up to a maximum frequency of 11 GHz.

Fairview's type N male connector FMCN5256 datasheet specifications and outline drawing are shown in this PDF below. Our extensive offering of RF, microwave and millimeter wave connectors allows designers to configure and customize their signal connections however they like. From providing an I/O for a board design to creating a custom cable assembly configuration, Fairview Microwave has a connector solution to meet your needs. Fairview Microwave also has the expertise to build your custom cable assemblies for you and ship them same-day.

#### Electrical Specifications

Description	Minimum	Typical	Maximum	Units
Frequency Range	DC		11	GHz
Impedance		50		Ohms

#### Mechanical Specifications

##### Size

Length	1.17 in [29.72 mm]
Width	0.83 in [21.08 mm]
Height	0.83 in [21.08 mm]
Weight	0.075 lbs [34.02 g]

#### Material Specifications

Description	Material	Plating
Contact	Brass	Gold 15 µin minimum
Insulation	PTFE	
Body	Brass	Tri-Metal
Coupling Nut	Brass	Tri-Metal

## N Male Connector Crimp/Solder Attachment for LMR-400, LMR-400-DB, LMR-400-UF, .400 inch Cable



### FMCN5256

---

#### Environmental Specifications

##### Temperature

Operating Range

-65 to +165 deg C

**Compliance Certifications** (see [product page](#) for current document)

#### Plotted and Other Data

Notes:

N Male Connector Crimp/Solder Attachment for LMR-400, LMR-400-DB, LMR-400-UF, .400 inch Cable from Fairview Microwave is in-stock and available to ship same-day. All of our RF/microwave products are available off-the-shelf from our ISO 9001:2008 certified facilities in Lewisville, Texas. Fairview Microwave is RF on-demand.

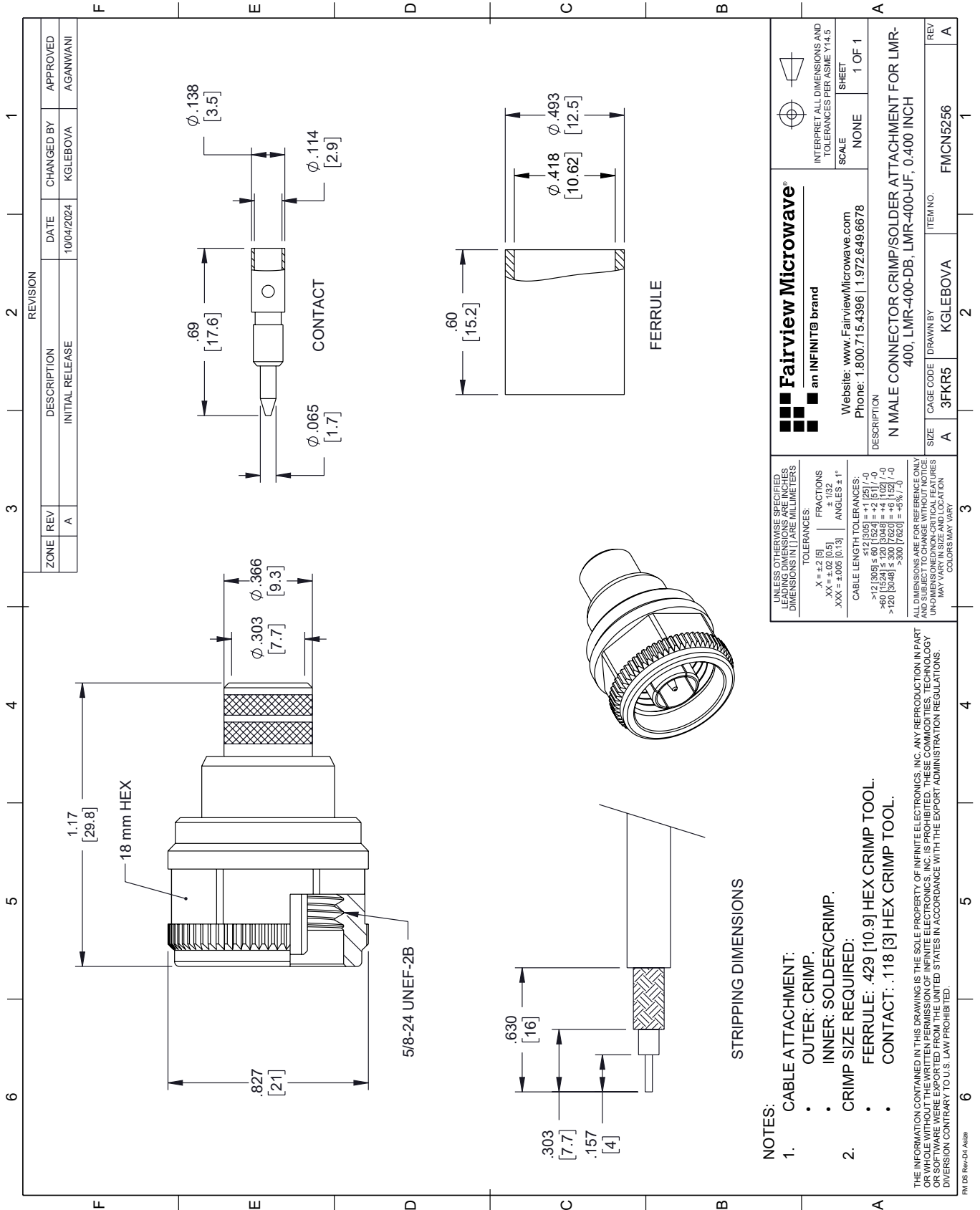
For additional information on this product, please click the following link: [N Male Connector Crimp/Solder Attachment for LMR-400, LMR-400-DB, LMR-400-UF, .400 inch Cable FMCN5256](#)

URL: <https://www.fairviewmicrowave.com/product/rf-connectors/n-male-lmr-400-lmr-400-db-lmr-400-uf-.400-connector-fmcn5256.html>

The information contained within this document is accurate to the best of our knowledge and representative of the part described herein. It may be necessary to make modifications to the part and/or the documentation of the part in order to implement improvements. Fairview Microwave reserves the right to make such changes as required. Unless otherwise stated, all specifications are nominal. Fairview Microwave does not make any representation or warranty regarding the suitability of the part described herein for any particular purpose, and Fairview Microwave does not assume liability arising out of the use of any part or document.

# FMCN5256 CAD Drawing

N Male Connector Crimp/Solder Attachment for LMR-400, LMR-400-DB, LMR-400-UF, .400 inch Cable



**Fairview Microwave®**  
 an INFINIT® brand

Website: [www.FairviewMicrowave.com](http://www.FairviewMicrowave.com)  
 Phone: 1.800.715.4396 | 1.972.649.6678

INTERPRET ALL DIMENSIONS AND TOLERANCES PER ASME Y14.5

SCALE: NONE  
 SHEET: 1 OF 1

DESCRIPTION:  
 N MALE CONNECTOR CRIMP/SOLDER ATTACHMENT FOR LMR-400, LMR-400-DB, LMR-400-UF, 0.400 INCH

SIZE	CAGE CODE	DRAWN BY	ITEM NO.
A	3FKR5	KGLEBOVA	FMCN5256

REV: A