

## SMA Female Bulkhead Commercial Grade PCB Connector .068 inch End Launch Solder Attachment



### FMCN5193

#### Configuration

- SMA Female Connector
- 50 Ohms
- Straight Body Geometry
- Connector Interface Types: .068 inch End Launch
- Bulkhead
- Commercial Grade Design

#### Features

- Operating Frequency of 18 GHz Max.
- Gold over Nickel over Copper Plated Beryllium Copper Contact

#### Applications

- General Purpose Test
- Rack and Panel Mount Applications
- PCB Applications

#### Description

SMA Female Bulkhead Commercial Grade Bulkhead Connector Solder Attachment for .068 inch End Launch Cable, part number FMCN5193, from Fairview Microwave is in-stock and ships same day. This SMA female connector operates up to a maximum frequency of 18 GHz. Fairview's FMCN5193 bulkhead SMA connector enables designers to make external connections on product enclosures, and can be used in a variety of other rack mount and panel mount applications.

Fairview's SMA female bulkhead connector FMCN5193 datasheet specifications and outline drawing are shown in this PDF below. Our extensive offering of RF, microwave and millimeter wave connectors allows designers to configure and customize their signal connections however they like. From providing an I/O for a board design to creating a custom cable assembly configuration, Fairview Microwave has a connector solution to meet your needs. Fairview Microwave also has the expertise to build your custom cable assemblies for you and ship them same-day.

#### Electrical Specifications

Description	Minimum	Typical	Maximum	Units
Frequency Range	DC		18	GHz
Impedance		50		Ohms

#### Mechanical Specifications

##### Size

Length	0.7 in [17.78 mm]
Width	0.41 in [10.41 mm]
Height	0.41 in [10.41 mm]
Weight	0.04 lbs [18.14 g]

SMA Female Bulkhead Commercial Grade PCB  
Connector .068 inch End Launch Solder Attachment



**FMCN5193**

**Material Specifications**

Description	Material	Plating
Contact	Beryllium Copper	Gold over Nickel over Copper
Insulation	PTFE	
Body	Brass	Gold over Nickel over Copper
Coupling Nut	Brass	Gold over Nickel over Copper 0.76µin minimum
Washer	Brass	Gold over Nickel over Copper

**Environmental Specifications**

Temperature

**Compliance Certifications** (see [product page](#) for current document)

**Plotted and Other Data**

Notes:

SMA Female Bulkhead Commercial Grade PCB Connector .068 inch End Launch Solder Attachment from Fairview Microwave is in-stock and available to ship same-day. All of our RF/microwave products are available off-the-shelf from our ISO 9001:2008 certified facilities in Lewisville, Texas. Fairview Microwave is RF on-demand.

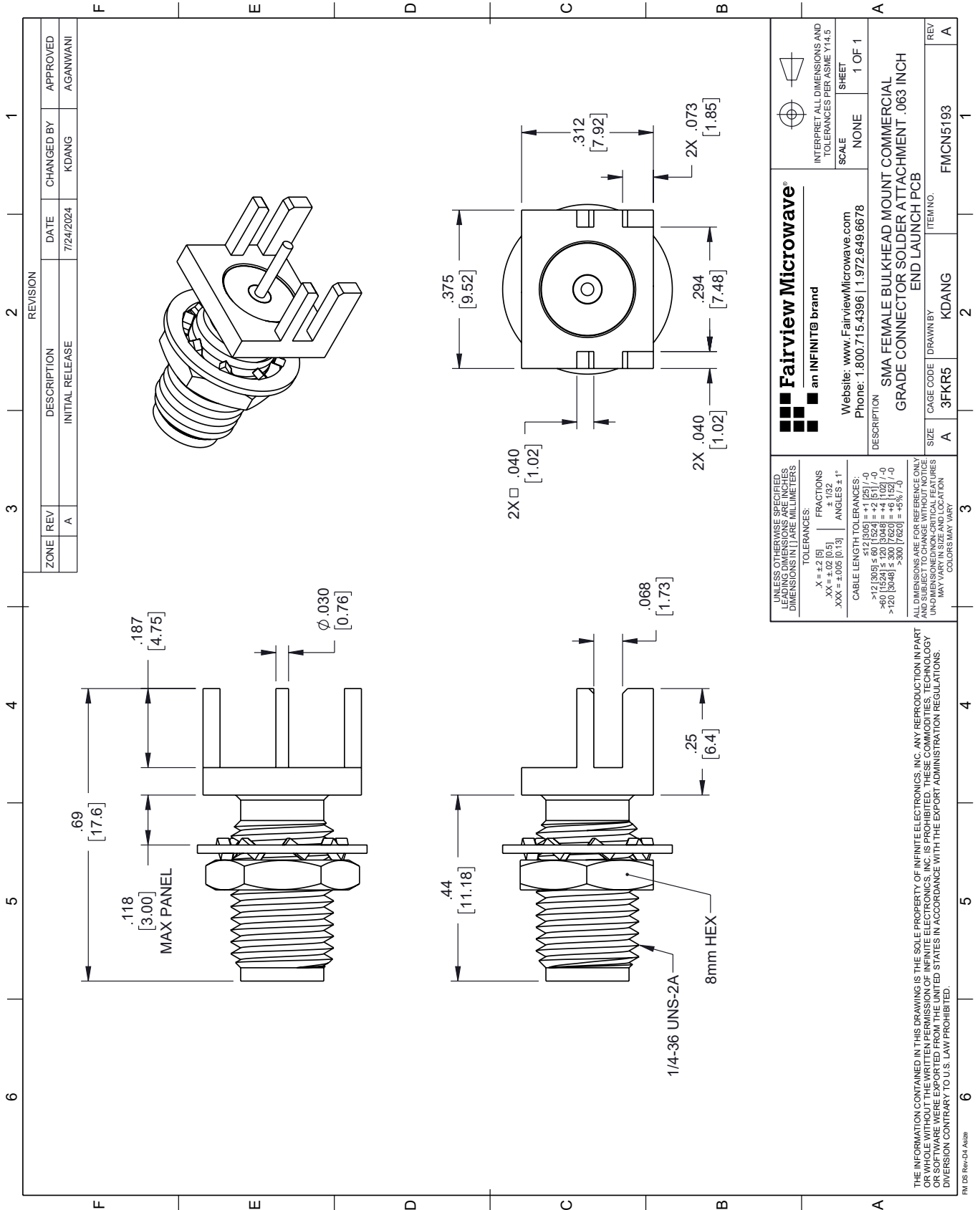
For additional information on this product, please click the following link: [SMA Female Bulkhead Commercial Grade PCB Connector .068 inch End Launch Solder Attachment FMCN5193](#)

URL: <https://www.fairviewmicrowave.com/sma-female-.068-end-launch-pcb-connector-fmcn5193-p.aspx>

The information contained within this document is accurate to the best of our knowledge and representative of the part described herein. It may be necessary to make modifications to the part and/or the documentation of the part in order to implement improvements. Fairview Microwave reserves the right to make such changes as required. Unless otherwise stated, all specifications are nominal. Fairview Microwave does not make any representation or warranty regarding the suitability of the part described herein for any particular purpose, and Fairview Microwave does not assume liability arising out of the use of any part or document.

# FMCN5193 CAD Drawing

SMA Female Bulkhead Commercial Grade PCB Connector .068 inch End Launch Solder Attachment



REVISION		DATE	CHANGED BY	APPROVED
ZONE	REV	DESCRIPTION	INITIAL RELEASE	
	A			AGANWANI

**Fairview Microwave**  
an INFINITI<sup>®</sup> brand

Website: [www.FairviewMicrowave.com](http://www.FairviewMicrowave.com)  
Phone: 1.800.715.4396 | 1.972.649.6678

INTERPRET ALL DIMENSIONS AND TOLERANCES PER ASME Y14.5

SCALE: NONE SHEET: 1 OF 1

DESCRIPTION: SMA FEMALE BULKHEAD MOUNT COMMERCIAL GRADE CONNECTOR SOLDER ATTACHMENT .063 INCH END LAUNCH PCB

SIZE: A 3FKR5 DRAWN BY: KDANG ITEM NO.: FMCN5193

REV: A

UNLESS OTHERWISE SPECIFIED, LEADING DIMENSIONS ARE IN INCHES AND DIMENSIONS IN [ ] ARE MILLIMETERS.

TOLERANCES:  
 .X = ±.2 [5] FRACTIONS ±.132  
 .XX = ±.02 [0.5] ANGLES ± 1°  
 .XXX = ±.005 [0.13]

CABLE LENGTH TOLERANCES:  
 >12 [305] ≤ 60 [1524] = +.2 [5] / -0  
 >60 [1524] ≤ 120 [3048] = +.4 [102] / -0  
 >120 [3048] ≤ 300 [7620] = +.6 [152] / -0

ALL DIMENSIONS ARE FOR REFERENCE ONLY. UNDIMENSIONED/NON-CRITICAL FEATURES MAY VARY IN SIZE AND LOCATION. COLORS MAY VARY.

THE INFORMATION CONTAINED IN THIS DRAWING IS THE SOLE PROPERTY OF INFINITE ELECTRONICS, INC. ANY REPRODUCTION IN PART OR WHOLE WITHOUT THE WRITTEN PERMISSION OF INFINITE ELECTRONICS, INC. IS PROHIBITED. THESE COMMODITIES, TECHNOLOGY OR SOFTWARE WERE EXPORTED FROM THE UNITED STATES IN ACCORDANCE WITH THE EXPORT ADMINISTRATION REGULATIONS. DIVISION CONTRARY TO U.S. LAW PROHIBITED.

PM DS Rev-D4 Alt2