

N Female Low PIM Connector Solder Attachment for SPF-250, SPO-250, SPP-250-LLPL, FM-1/4SFHC, 1/4" Superflexible Cable



FMCN45993

Configuration

- N Female Connector
- 50 Ohms
- Straight Body Geometry
- Connector Interface Types: SPF-250, SPO-250, SPP-250-LLPL, FM-1/4SFHC, 1/4" Superflexible
- Low PIM Design

Features

- Operating Frequency of 11 GHz Max.
- Silver Plated Bronze Contact
- Max of VSWR 1.12:1 at 4.1GHz, Max of VSWR 1.18:1 at 6.2GHz, Max of VSWR 1.44:1 at 11GHz
- PIM is less than -155dBc at 1.8GHz typical

Applications

- General Purpose Test
- Wireless Communications
- Custom Cable Assemblies
- Low PIM Applications

Description

Type N Female Low PIM Connector Solder/Solder Attachment for SPF-250, SPO-250, SPP-250-LLPL, FM-1/4SFHC and 1/4" Superflexible Cable, part number FMCN45993, from Fairview Microwave is in-stock and ships same day. This type N female connector operates up to a maximum frequency of 11 GHz.

Fairview's type N female connector FMCN45993 datasheet specifications and outline drawing are shown in this PDF below. Our extensive offering of RF, microwave and millimeter wave connectors allows designers to configure and customize their signal connections however they like. From providing an I/O for a board design to creating a custom cable assembly configuration, Fairview Microwave has a connector solution to meet your needs. Fairview Microwave also has the expertise to build your custom cable assemblies for you and ship them same-day.

Electrical Specifications

Description	Minimum	Typical	Maximum	Units
Frequency Range	DC		11	GHz
Insertion Loss			0.099	dB
Dielectric Withstanding Voltage (AC)			1,600	Vrms
Impedance		50		Ohms

Mechanical Specifications

Size

Length	1.311024 in [33.3 mm]
Width	0.779528 in [19.80 mm]
Height	0.779528 in [19.8 mm]
Weight	0.06006 lbs [27.24 g]

Material Specifications

Description	Material	Plating
Contact	Bronze	Silver
Insulation	PTFE	
Outer Conductor	Bronze	Tri-Metal
Body	Brass	Tri-Metal

N Female Low PIM Connector Solder Attachment for SPF-250, SPO-250, SPP-250-LLPL, FM- 1/4SFHC, 1/4" Superflexible Cable



FMCN45993

Environmental Specifications

Temperature

Operating Range

-55 to +85 deg C

Environmental Specification Notes:

EC 61169-16

Compliance Certifications (see [product page](#) for current document)

Plotted and Other Data

Notes:

N Female Low PIM Connector Solder Attachment for SPF-250, SPO-250, SPP-250-LLPL, FM-1/4SFHC, 1/4" Superflexible Cable from Fairview Microwave is in-stock and available to ship same-day. All of our RF/microwave products are available off-the-shelf from our ISO 9001:2008 certified facilities in Lewisville, Texas. Fairview Microwave is RF on-demand.

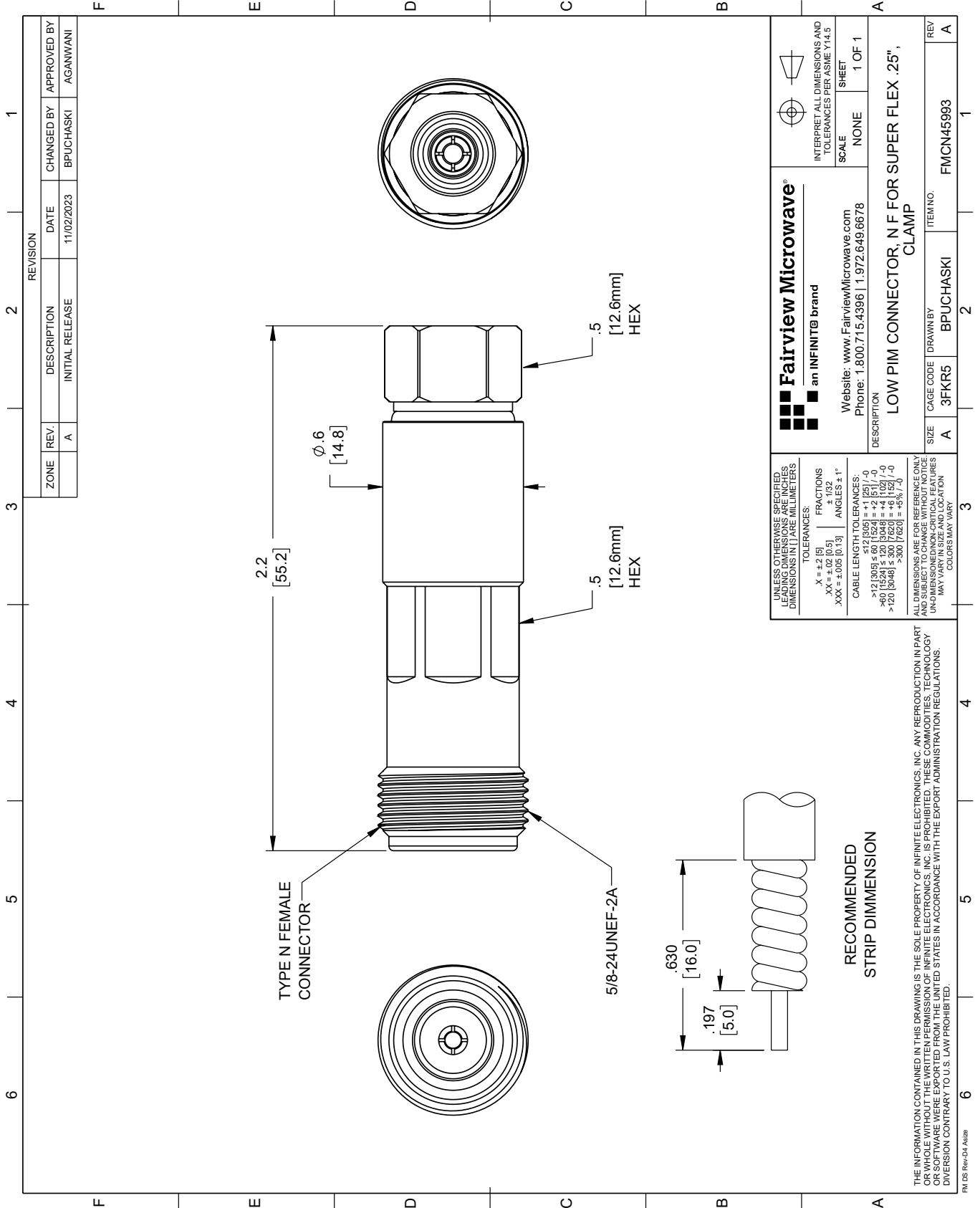
For additional information on this product, please click the following link: [N Female Low PIM Connector Solder Attachment for SPF-250, SPO-250, SPP-250-LLPL, FM-1/4SFHC, 1/4" Superflexible Cable FMCN45993](#)

URL: <https://www.fairviewmicrowave.com/n-female-spf-250-spo-250-spp-250-llpl-fm-1-4sfhc-1-4-inch-superflexible-connector-fmcn45993-p.aspx>

The information contained within this document is accurate to the best of our knowledge and representative of the part described herein. It may be necessary to make modifications to the part and/or the documentation of the part in order to implement improvements. Fairview Microwave reserves the right to make such changes as required. Unless otherwise stated, all specifications are nominal. Fairview Microwave does not make any representation or warranty regarding the suitability of the part described herein for any particular purpose, and Fairview Microwave does not assume liability arising out of the use of any part or document.

FMCN45993 CAD Drawing

N Female Low PIM Connector Solder Attachment for SPF-250, SPO-250, SPP-250-LLPL, FM-1/4SFHC, 1/4" Superflexible Cable



REVISION		DATE	CHANGED BY	APPROVED BY
ZONE	REV.	DESCRIPTION	INITIAL RELEASE	
	A		11/02/2023	BPUCHASKI
				AGANWANI

Fairview Microwave®
an INFINIT® brand

Website: www.FairviewMicrowave.com
Phone: 1.800.715.4396 | 1.972.649.6678

INTERPRET ALL DIMENSIONS AND TOLERANCES PER ASME Y14.5
SCALE: NONE SHEET: 1 OF 1

UNLESS OTHERWISE SPECIFIED, LEADING DIMENSIONS ARE IN INCHES. DIMENSIONS IN [] ARE MILLIMETERS.

TOLERANCES:
 .X = ±.2 [5] FRACTIONS ±.1/32
 .XX = ±.02 [0.5] ANGLES ± 1°
 .XXX = ±.005 [0.13]

CABLE LENGTH TOLERANCES:
 <12 [305] ≤ 60 [1524] = ±.1 [2.5] / -0
 >60 [1524] ≤ 120 [3048] = ±.4 [10.2] / -0
 >120 [3048] ≤ 300 [7620] = ±.6 [15.2] / -0
 >300 [7620] = ±.8 [20.3] / -0

ALL DIMENSIONS ARE FOR REFERENCE ONLY. UNLESS OTHERWISE SPECIFIED, DIMENSIONS ARE IN INCHES. DIMENSIONS IN [] ARE MILLIMETERS. UNKNOWNS/DON'T-KNOWS/CRITICAL FEATURES MAY VARY IN SIZE AND LOCATION. COLORS MAY VARY.

DESCRIPTION: LOW PIM CONNECTOR, N F FOR SUPER FLEX .25", CLAMP

SIZE	A	CAGE CODE	3FKR5	DRAWN BY	BPUCHASKI	ITEM NO.	FMCN45993
REV	A						

THE INFORMATION CONTAINED IN THIS DRAWING IS THE SOLE PROPERTY OF INFINITE ELECTRONICS, INC. ANY REPRODUCTION IN PART OR WHOLE WITHOUT THE WRITTEN PERMISSION OF INFINITE ELECTRONICS, INC. IS PROHIBITED. THESE COMMODITIES, TECHNOLOGY OR SOFTWARE WERE EXPORTED FROM THE UNITED STATES IN ACCORDANCE WITH THE EXPORT ADMINISTRATION REGULATIONS. DIVISION CONTRARY TO U.S. LAW PROHIBITED.

FM DS Rev-D4 Alt2