

RA MCX Plug Non-Magnetic Connector Crimp/Solder Attachment for RG178 Cable

RA MCX Plug Non-Magnetic Connector Crimp/Solder Attachment for RG178 Cable, part number FMCN45866, from Fairview Microwave is in-stock and ships same day. This MCX plug connector operates up to a maximum frequency of 6 GHz and offers excellent VSWR of 1.1:1. Its right angle body geometry facilitates connections in tight spaces. Fairview's Non Magnetic connectors are manufactured with materials that are especially adapted to non magnetism. Our non-magnetic connectors have a susceptibility of around 10^{-5} , as opposed to 10^{-2} for standard connectors made of brass/nickel materials. As a result, our non-magnetic connectors are transparent to the magnetic field, which means no field distortion and a higher Signal-to-Noise Ratio (SNR).

Fairview's RA MCX plug connector FMCN45866 datasheet specifications and outline drawing are shown in this PDF below. Our extensive offering of RF, microwave and millimeter wave connectors allows designers to configure and customize their signal connections however they like. From providing an I/O for a board design to creating a custom cable assembly configuration, Fairview Microwave has a connector solution to meet your needs. Fairview Microwave also has the expertise to build your custom cable assemblies for you and ship them same-day.

Electrical Specifications

Description	Min	Typ	Max	Units
Frequency Range	DC		6	GHz
VSWR			1.1:1	
Insertion Loss			0.5	dB
Operating Voltage (AC)			170	Vrms
DWV (AC)			500	Vrms
Insulation Resistance	1,000			MOhms

Mechanical Specifications

Size	
Length	0.4685 in [11.9 mm]
Width/Dia.	0.19685 in [5.00 mm]
Height	0.19685 in [5 mm]
Weight	0.00199 lbs [0.9 g]
Mating Cycles	500 Cycles

Material Specifications

Description	Material	Plating
Contact	Bronze	Gold over Copper
Body	Bronze	Copper-Tin-Zinc Alloy



Configuration:

- MCX Plug Connector
- 50 Ohms
- Right Angle Body Geometry
- RG178 Interface Type
- Crimp/Solder Attachment
- Non-Magnetic Design

Features:

- Operating Frequency of 6 GHz Max.
- Excellent VSWR of 1.1:1
- Gold over Copper Plated Bronze Contact
- Magnetic Susceptibility 10^{-5}

Applications:

- General Purpose Test
- Custom Cable Assemblies
- Medical
- Military and Aerospace
- Quantum Computing

Fairview Microwave
 301 Leora Ln., Suite 100
 Lewisville, TX 75056
 Tel: 1-800-715-4396 / (972) 649-6678
 Fax: (972) 649-6689
www.fairviewmicrowave.com
sales@fairviewmicrowave.com

Environmental Specifications

Temperature

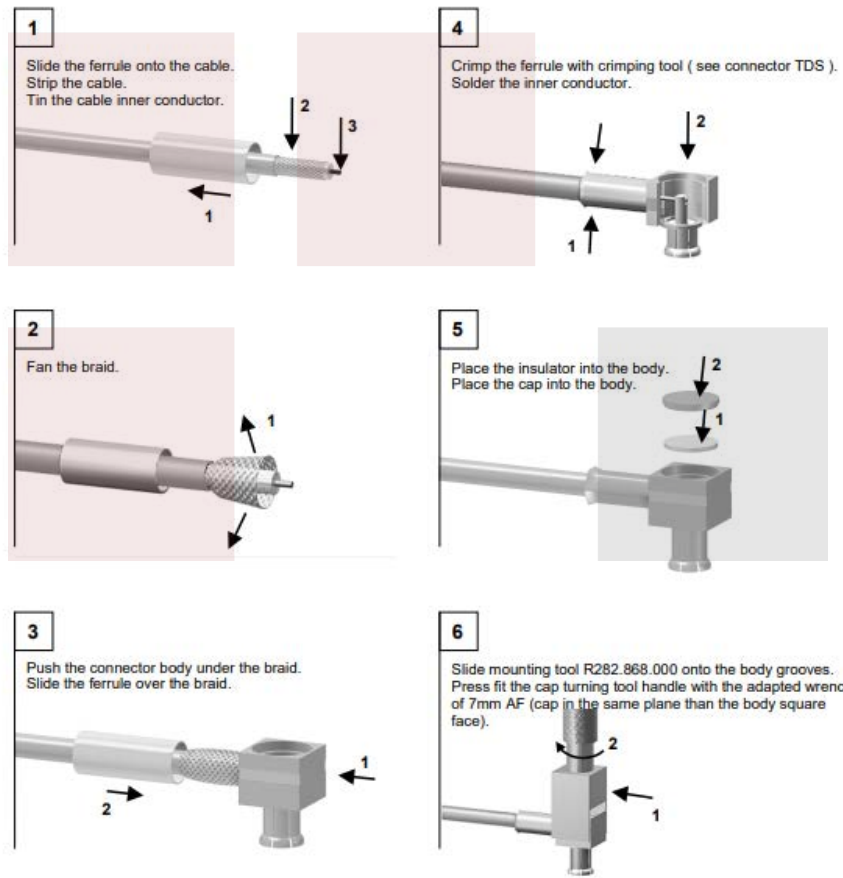
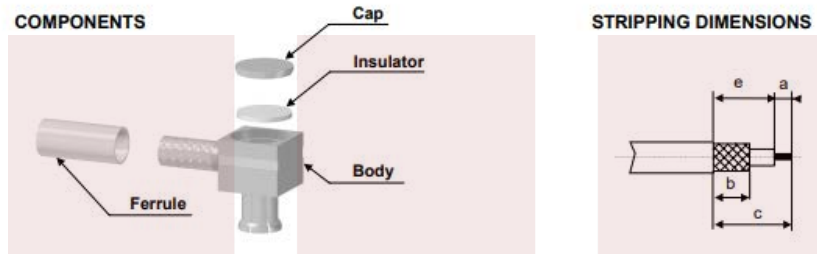
Operating Range -55 to +125 deg C

Compliance Certifications (see [product page](#) for current document)

Plotted and Other Data

Notes:

Assembly Instruction



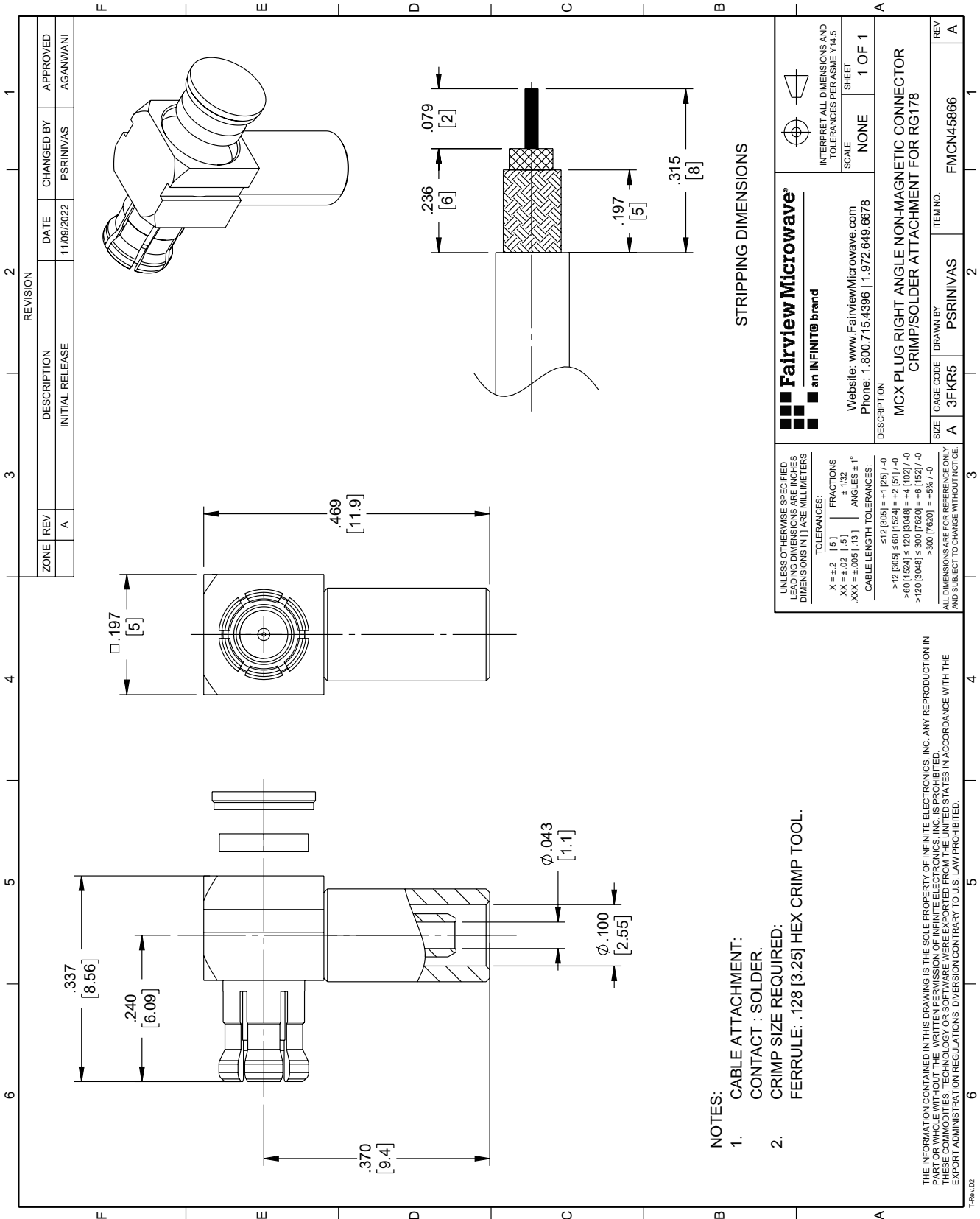
RA MCX Plug Non-Magnetic Connector Crimp/Solder Attachment for RG178 Cable from Fairview Microwave is in-stock and available to ship same-day. All of our RF/microwave products are available off-the-shelf from our ISO 9001:2008 certified facilities in Lewisville, Texas. Fairview Microwave is RF on-demand.

For additional information on this product, please click the following link: [RA MCX Plug Non-Magnetic Connector Crimp/Solder Attachment for RG178 Cable FMCN45866](#)

URL: <https://www.fairviewmicrowave.com/mcx-plug-connector-fmcn45866-p.aspx>

The information contained in this document is accurate to the best of our knowledge and representative of the part described herein. It may be necessary to make modifications to the part and/or the documentation of the part, in order to implement improvements. Fairview Microwave reserves the right to make such changes as required. Unless otherwise stated, all specifications are nominal. Fairview Microwave does not make any representation or warranty regarding the suitability of the part described herein for any particular purpose, and Fairview Microwave does not assume any liability arising out of the use of any part or documentation.





REVISION		DATE	CHANGED BY	APPROVED
ZONE	REV	11/09/2022	PSRINIVAS	AGANWANI
	A			
DESCRIPTION				
INITIAL RELEASE				

STRIPPING DIMENSIONS

Fairview Microwave® an INFINITE® brand		INTERPRET ALL DIMENSIONS AND TOLERANCES PER ASME Y14.5	
Website: www.FairviewMicrowave.com Phone: 1.800.715.4396 1.972.649.6678		SCALE	SHEET
		NONE	1 OF 1
DESCRIPTION			
MCX PLUG RIGHT ANGLE NON-MAGNETIC CONNECTOR CRIMP/SOLDER ATTACHMENT FOR RGT78			
SIZE	CAGE CODE	ITEM NO.	REV
A	3FKR5	PSRINIVAS	A
		FMCN45866	

UNLESS OTHERWISE SPECIFIED, DIMENSIONS IN [] ARE MILLIMETERS

TOLERANCES:

.X = ±.2 [5] FRACTIONS ±.152

.XX = ±.02 [.5] ANGLES ± 1°

.XXX = ±.005 [.13]

CABLE LENGTH TOLERANCES:

≤12 [305] = +1 [25] / -0

>12 [305] ≤ 60 [1524] = +2 [51] / -0

>60 [1524] ≤ 120 [3048] = +4 [102] / -0

>120 [3048] ≤ 300 [7620] = +6 [152] / -0

>300 [7620] = +5% / -0

ALL DIMENSIONS ARE FOR REFERENCE ONLY AND SUBJECT TO CHANGE WITHOUT NOTICE.

- NOTES:**
- CABLE ATTACHMENT: CONTACT : SOLDER.
 - CRIMP SIZE REQUIRED: FERRULE: .128 [3.25] HEX CRIMP TOOL.

THE INFORMATION CONTAINED IN THIS DRAWING IS THE SOLE PROPERTY OF INFINITE ELECTRONICS, INC. ANY REPRODUCTION IN ANY FORM OR BY ANY MEANS WITHOUT THE WRITTEN PERMISSION OF INFINITE ELECTRONICS, INC. IS PROHIBITED. THESE COMMODITIES, TECHNOLOGY OR SOFTWARE WERE EXPORTED FROM THE UNITED STATES IN ACCORDANCE WITH THE EXPORT ADMINISTRATION REGULATIONS. DIVERSION CONTRARY TO U.S. LAW PROHIBITED.