

**MMBX Plug Slide-On PCB Connector Surface Mount
 Solder Attachment With Male Center Contact, 1 Reel
 Contains 750 pieces**

MMBX plug slide-on connector with solder attachment for surface mount PCB, part number FMCN1024TR750, from Fairview Microwave is in-stock and ships same day. This MMBX plug connector operates up to a maximum frequency of 12.4 GHz and offers excellent VSWR of 1.06:1.

Fairview's MMBX plug connector FMCN1024TR750 datasheet specifications and outline drawing are shown in this PDF below. Our extensive offering of RF, microwave and millimeter wave connectors allows designers to configure and customize their signal connections however they like. From providing an I/O for a board design to creating a custom cable assembly configuration, Fairview Microwave has a connector solution to meet your needs. Fairview Microwave also has the expertise to build your custom cable assemblies for you and ship them same-day.

Electrical Specifications

Description	Min	Typ	Max	Units
Frequency Range	DC		12.4	GHz
VSWR			1.06:1	
Insertion Loss			0.12	dB
Operating Voltage (DC)			300	Vdc
DWV (DC)			1,000	Vdc
Insulation Resistance	1,000			MOhms

Electrical Specification Notes:
 MMBX Plug has a male center contact

Mechanical Specifications

Size	
Length	0.24 in [6.1 mm]
Width/Dia.	0.24 in [6.10 mm]
Height	0.217 in [5.51 mm]
Mating Cycles	500 Cycles

Material Specifications

Description	Material	Plating
Contact	Beryllium Copper	Gold
Insulation	PTFE	
Outer Conductor	Brass	Gold
Body	Brass	Gold



Configuration:

- Slide-On MMBX Plug Connector
- 50 Ohms
- Straight Body Geometry
- Surface Mount Interface Type
- Solder Attachment

Features:

- Operating Frequency of 12.4 GHz Max.
- Excellent VSWR of 1.06:1
- Gold Plated Beryllium Copper Contact
- Slide-On connection method
- Small circuit footprint for high density applications
- Packaging available for pick and place circuit board manufacturing
- Allows up to 4.5°/0.7mm Max mechanical misalignment

Applications:

- General Purpose Test
- PCB Applications
- Circuit board test points
- Blind mate interconnect applications
- Multi circuit board products
- Board to board applications

Fairview Microwave
 1130 Junction Dr. #100
 Allen, TX 75013
 Tel: 1-800-715-4396 / (972) 649-6678
 Fax: (972) 649-6689
www.fairviewmicrowave.com
sales@fairviewmicrowave.com

Environmental Specifications

Temperature

Operating Range -55 to +155 deg C

Compliance Certifications (see [product page](#) for current document)

Plotted and Other Data

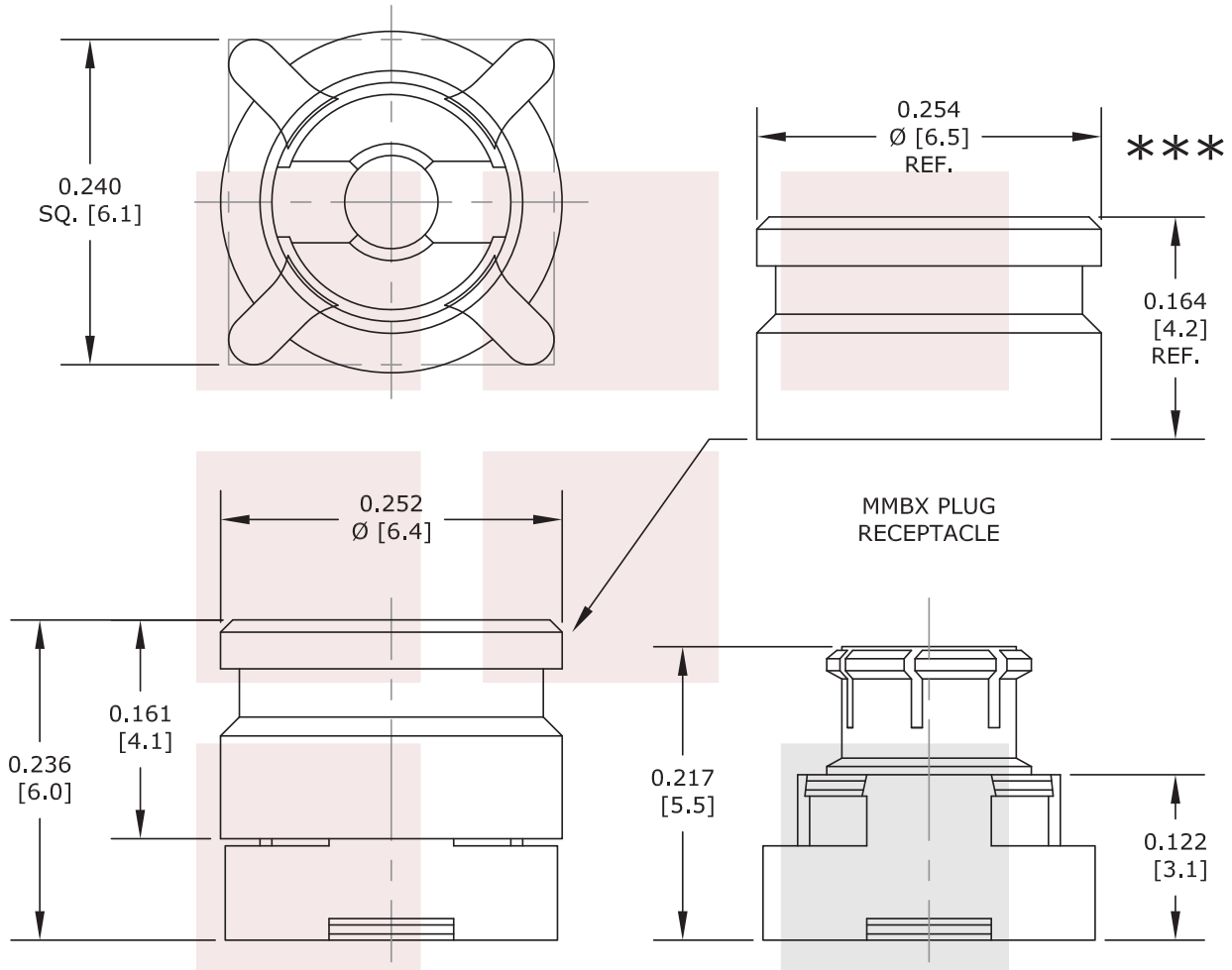
Notes:

MMBX Plug Slide-On PCB Connector Surface Mount Solder Attachment With Male Center Contact, 1 Reel Contains 750 pieces from Fairview Microwave is in-stock and available to ship same-day. All of our RF/microwave products are available off-the-shelf from our ISO 9001:2008 certified facilities in Allen, Texas. Fairview Microwave is RF on-demand.

For additional information on this product, please click the following link: [MMBX Plug Slide-On PCB Connector Surface Mount Solder Attachment With Male Center Contact, 1 Reel Contains 750 pieces FMCN1024TR750](#)

URL: <https://www.fairviewmicrowave.com/mmbx-plug-slide-on-surface-mount-pcb-connector-fmcn1024tr750-p.aspx>

The information contained in this document is accurate to the best of our knowledge and representative of the part described herein. It may be necessary to make modifications to the part and/or the documentation of the part, in order to implement improvements. Fairview Microwave reserves the right to make such changes as required. Unless otherwise stated, all specifications are nominal. Fairview Microwave does not make any representation or warranty regarding the suitability of the part described herein for any particular purpose, and Fairview Microwave does not assume any liability arising out of the use of any part or documentation.

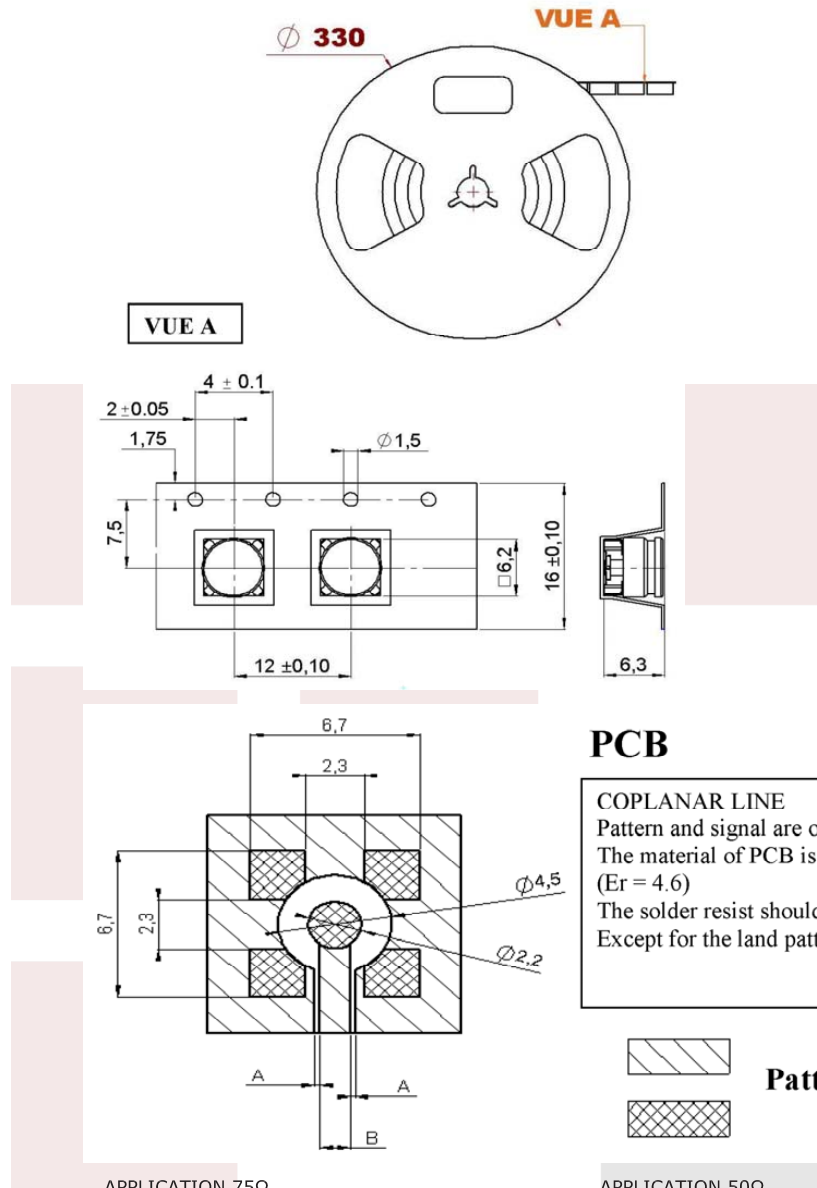


STANDARD TOLERANCES	
.X	±0.2
.XX	±0.1
.XXX	±0.05

*STANDARD TOLERANCES APPLY ONLY TO DIMENSIONS IN INCHES

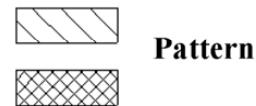
*** CAP FOR MANUFACTURING PROCESS

FAIRVIEW MICROWAVE INC. ALLEN, TX 75013 WWW.FAIRVIEWMICROWAVE.COM		NOTES: 1. UNLESS OTHERWISE SPECIFIED ALL DIMENSIONS ARE NOMINAL. 2. ALL SPECIFICATIONS ARE SUBJECT TO CHANGE WITHOUT NOTICE AT ANY TIME. 3. DIMENSIONS ARE IN INCHES [mm].			
TITLE MMBX Plug Slide-On PCB Connector Surface Mount Solder Attachment With Male Center Contact, 1 Reel Contains 750 pieces		DWG NO FMCN1024TR750		CAGE CODE 3FKR5	
CAD FILE	101416	SHEET	SCALE	N/A	SIZE A 2233



PCB

COPLANAR LINE
Pattern and signal are on the same side
The material of PCB is epoxy resin (FR4).
(Er = 4.6)
The solder resist should be printed
Except for the land pattern on the PCB



APPLICATION 75Ω
WITH B = 0.55 mm
0.0216 Inches

APPLICATION 50Ω
WITH B = 1.2 mm
0.0472 Inches

STANDARD TOLERANCES	
.X	±0.2
.XX	±0.1
.XXX	±0.05

*STANDARD TOLERANCES APPLY ONLY TO DIMENSIONS IN INCHES

PCB Thickness [mm] Inches	Coplanar Ligne A [mm] Inches
0.0314 [0.8]	0.0137 [0.350]
0.0393 [1.0]	0.0141 [0.360]
0.0472 [1.2]	0.0143 [0.365]
0.0629 [1.6]	0.0147 [0.375]

PCB Thickness [mm] Inches	Coplanar Ligne A [mm] Inches
0.0314 [0.8]	0.0074 [0.190]
0.0393 [1.0]	0.0078 [0.200]
0.0472 [1.2]	0.0080 [0.205]
0.0629 [1.6]	0.0082 [0.210]

FAIRVIEW MICROWAVE INC.
ALLEN, TX 75013 WWW.FAIRVIEWMICROWAVE.COM

NOTES:
1. UNLESS OTHERWISE SPECIFIED ALL DIMENSIONS ARE NOMINAL.
2. ALL SPECIFICATIONS ARE SUBJECT TO CHANGE WITHOUT NOTICE AT ANY TIME.
3. DIMENSIONS ARE IN INCHES [mm].

TITLE
MMBX Plug Slide-On PCB Connector Surface Mount
Solder Attachment With Male Center Contact, 1 Reel
Contains 750 pieces

DWG NO	FMCN1024TR750	CAGE CODE	3FKR5		
CAD FILE	101416	SHEET	SCALE	N/A	SIZE A 2233